



STAINLESS STEEL  
**DISHTABLE**  
**WITH 3 COMPARTMENT SINK**  
**& 7 1/2" BACKSPLASH**



Item #: \_\_\_\_\_ Qty #: \_\_\_\_\_  
 Model #: \_\_\_\_\_  
 Project #: \_\_\_\_\_



**FEATURES:**

- 3 sink bowls.
- 7-1/2" backsplash.
- Welded Side-Bracing.
- Adjustable Front Cross Bracing.
- One set of 8" O.C. Faucet Holes.
- Three **K-6** Basket Drains (1-1/2" I.P.S).
- Two Wall Clips.

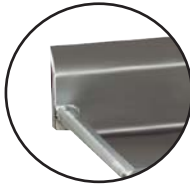
**CONSTRUCTION:**

- All TIG welded.
- 16 Gauge Stainless Steel.
- Stainless Steel Legs.
- Stainless Steel Bullet Feet.
- Gussets welded to Stainless Steel Channels.
- Welded areas blended to match adjacent surfaces and to a satin finish.

**MECHANICAL:**

- Faucet holes in splash punched on 8" centers. (Faucet not included)
- Waste drains are 1-1/2" IPS and are included.

7-1/2" Backsplash  
 with Turndown and  
 includes Wall Clips



Model #	Length (L)	Width	Bowl Size (A x B)	Bowl Depth	C	D	Approx. Weight	Approx. Cu.
DTC-3-90R-X*	90"	30"	18" x 24"	14"	20"	43"	250 lbs.	61

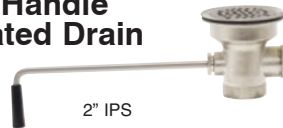
\* left side table not offered in Special Value series. Consider DTC-3-1620-84R as an alternate item

**DISHTABLE ACCESSORIES**

**Pre-Rinse Faucet**  
 DTA-53



**Twist Handle Operated Drain**  
 K-5



**Twist Handle Support Bracket**  
 K-4



Customer Service Available To Assist You **1-800-645-3166** 8:30 am - 7:00 pm E.S.T.

For Orders & Customer Service:

Email: customer@advancetabco.com or Fax: 631-242-6900

For Smart Fabrication™ Quotes:

Email: smartfab@advancetabco.com or Fax: 631-586-2933

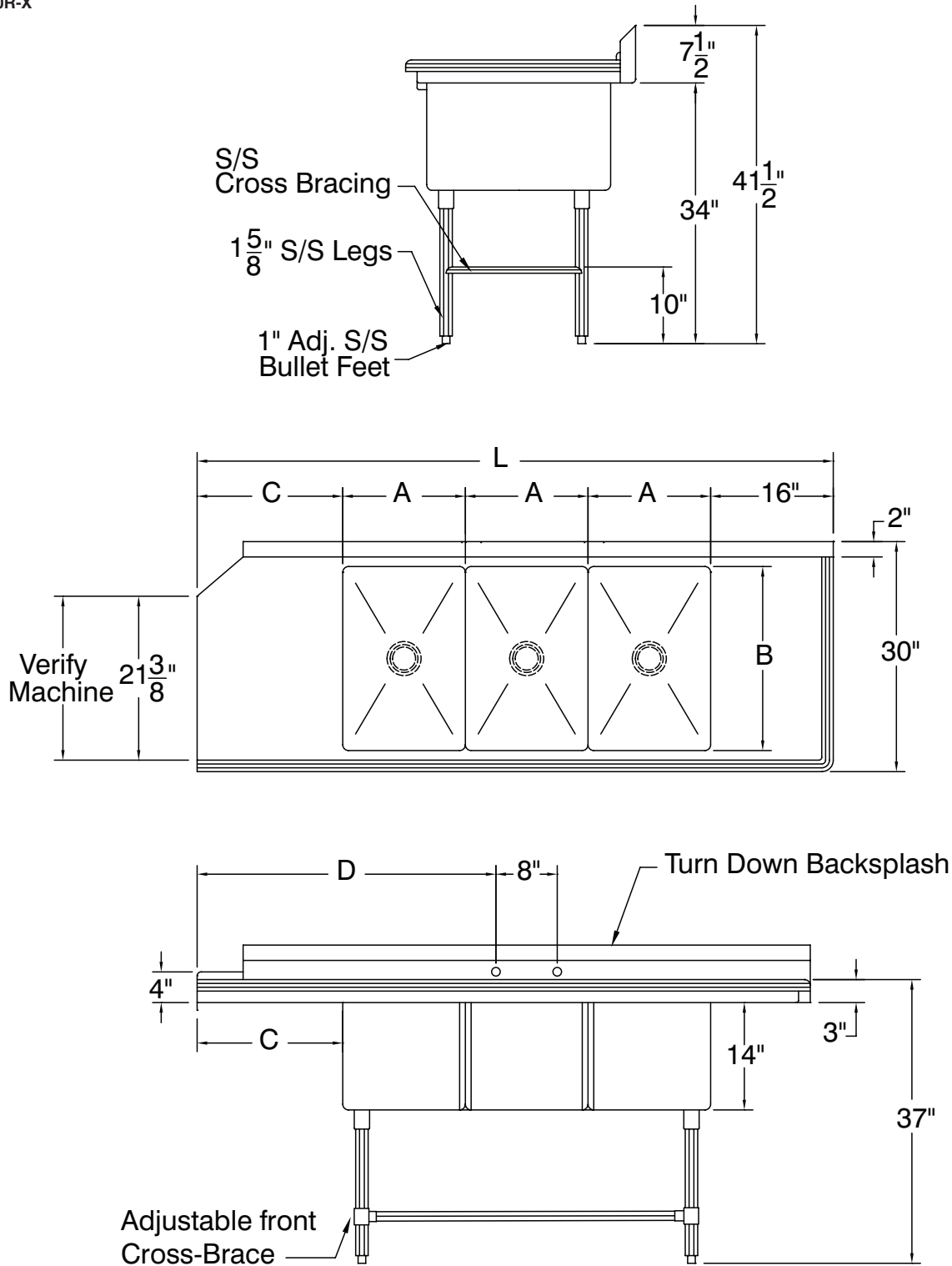
# DIMENSIONS and SPECIFICATIONS

ALL DIMENSIONS ARE TYPICAL

TOL ± .500"

**SEE DISH MACHINE COMPATIBILITY CHART TO ENSURE PROPER FIT**  
 Dish Machine Compatibility Chart can be found on our website at [www.advancetabco.com](http://www.advancetabco.com) under "Product Support"

DTC-3-90R-X



ADVANCE TABCO is constantly engaged in a program of improving our products. Therefore, we reserve the right to change specifications without prior notice.