

Sleek Shields™

SELF SERVICE FOOD SHIELDS

DOUBLE SIDED - SINGLE TIER

Protected by: Patent No. US 9,010,883 B2



GSGD-40-48 Series Shown

Item #: _____ Qty #: _____
Model #: _____
Project #: _____

FEATURES:

- 40" Wide Units
- Front glass locks in place at 15° intervals.
- Attractive, low profile design & easy to clean.
- Stainless steel 1" diameter posts.
- Chamber Lock™ is mounted to post in a fixed position.
- Includes Two 1/4" Heat-Tempered Side Glass.
- 1/4" or 3/8" Heat-Tempered Front Glass Panels (See Chart For "*" Symbol).
- 6 3/4" Standard front glass height.

NSGD Series Stainless Steel Shelving

Shelves have rolled edges on front & rear and square edges on left & right sides.

GSGD Series Glass Top Unit

Features 3/8" Heat-Tempered Glass Top.

CONSTRUCTION:

All TIG welded.
Exposed stainless steel surfaces polished to a satin finish.

MATERIAL:

1/4" Thick Heat-Tempered Side Glass.
1/4" or 3/8" Thick Heat-Tempered Front Glass.
Posts - 1" Stainless Steel
Chamber Lock™ Sleek Shield Assemblies - Anodized Aluminum.
Finish - Aluminum components are anodized to a satin finish.
Stainless components polished.

TOP SHELF:

NSGD Series: Shelf - 18 Ga., Type 430 Stainless Steel.
GSGD Series: 3/8" Thick Heat-Tempered Top Glass.

Length (L)	w/ STAINLESS STEEL SHELF		w/ GLASS TOP		Approx. Cu. Ft.
	Model #	Approx. Weight	Model #	Approx. Weight	
36"	NSGD-40-36	339 lbs.	GSGD-40-36	368 lbs.	32
48"	NSGD-40-48	391 lbs.	GSGD-40-48	437 lbs.	42
60"	NSGD-40-60*	451 lbs.	GSGD-40-60*	509 lbs.	51
72"	NSGD-40-72*	518 lbs.	GSGD-40-72†	592 lbs.	61
84"	NSGD-40-84†	604 lbs.	GSGD-40-84†	660 lbs.	70
96"	NSGD-40-96†	667 lbs.	GSGD-40-96†	729 lbs.	79
108"	NSGD-40-108*†	725 lbs.	GSGD-40-108*†	798 lbs.	89
120"	NSGD-40-120*†	782 lbs.	GSGD-40-120*†	868 lbs.	98
132"	NSGD-40-132*†	840 lbs.	GSGD-40-132*†	932 lbs.	107
144"	NSGD-40-144††	909 lbs.	GSGD-40-144††	1001 lbs.	117

* 3/8" Thick Heat-Tempered Glass Required For Front Glass

† Requires a single pair of center legs

†† Requires two pair of center legs



Advance Tabco's Revolutionary "Chamber Lock" System Makes Rotating Food Shields Easier Than Ever



All Food Shields are a non-stock special order items & may not be canceled once ordered.

Optional Accessories

(Compatible With All Advance Tabco Food Shields)



SG-1



SG-C



SG-S

SG-1 Surface Mounting Brackets for use when access below countertop is not available. Fits 1" Posts. 2" Dia.

SG-3 Modify Food Shield mounting for countertops exceeding 1 3/4" thickness.

SG-C Upgrade Center Food Shield Leg to be cantilevered over installed equipment (Per Leg). Cannot replace End Posts/Brackets. Consult factory for special applications.

SG-S Sleek Shield™ horizontal swivel bracket. Used to connect food shields positioned at variable angles.

Custom color for aluminum (**SG-AN**) and stainless steel (**SG-PC**) components available. Consult factory.
LED lights & mounting of customer-supplied heat lamps is available. Consult factory.

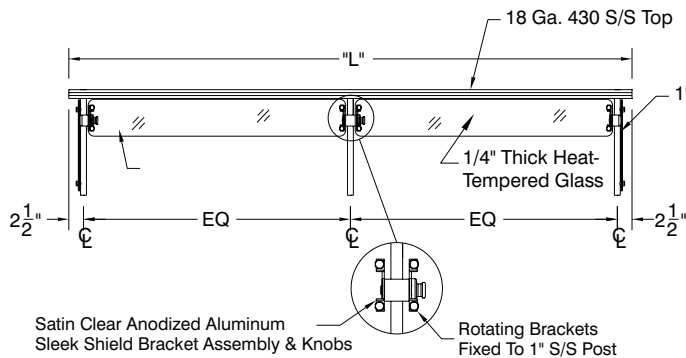
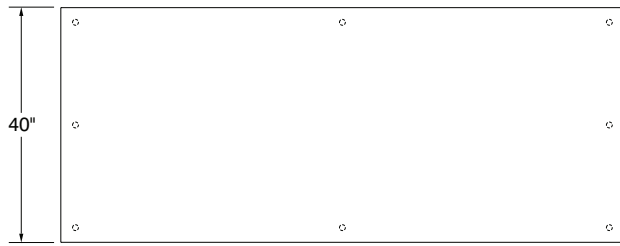
DETAILS and SPECIFICATIONS

TOL ± .500"

ALL DIMENSIONS ARE TYPICAL

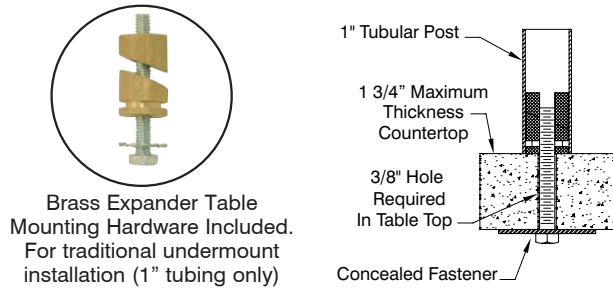
NSGD-40 SERIES WITH STAINLESS STEEL SHELF

(NSGD-40-96 Shown with Required Additional Center Post)



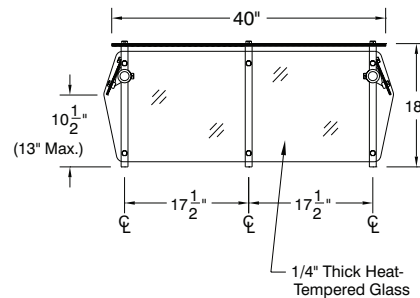
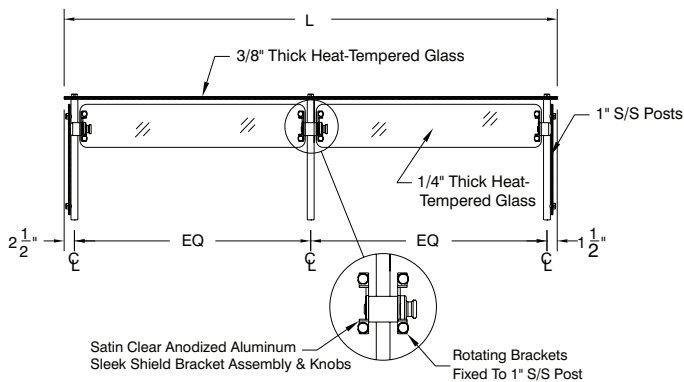
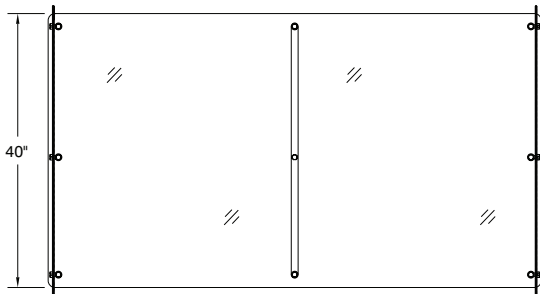
Standard Concealed Mounting Hardware

Requires access below counter for installation.



GSGD-40 SERIES WITH GLASS TOP

(GSGD-40-96 Shown with Required Additional Center Post)



10-1/2" Standard Glass Opening (Maximum 13") From Table To Bottom Of Glass. Max. Load For Top Glass Is 100 Lbs. Even Distributed Wt.

