

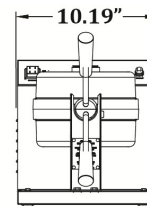


GOLD MEDAL® PRODUCTS CO.

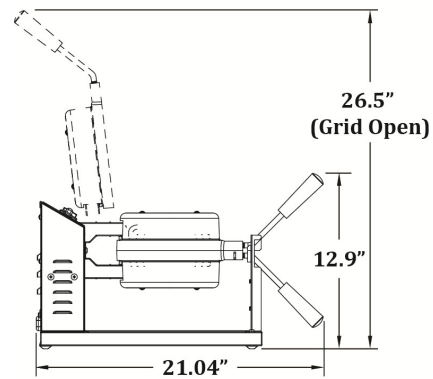
Belgian Waffle Baker w/Electronic Control

Model No. 5021ET

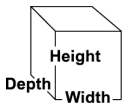
Specifications



Operator End View



Side View



Overall Dimensions:

Width: 10.19" (25.9 cm)

Depth: 21.04" (53.5 cm)

Height: 12.9" (32.8 cm)

(Dimensions w/grids in closed position.)

Features:

- Electronic Control
- Non-stick Coated Grids

Electrical - Domestic

120V

1300 WATTS 60 Hz

(NEMA 5-15P) Plug

Plug Type:



NEMA 5-15P

Agency Approvals:



Gold Medal Products Co.

10700 Medallion Drive, Cincinnati, OH 45241

Ph: (513) 769-7676, (800) 543-0862; Fax: (513) 769-8500

gmpopcorn.com info@gmpopcorn.com