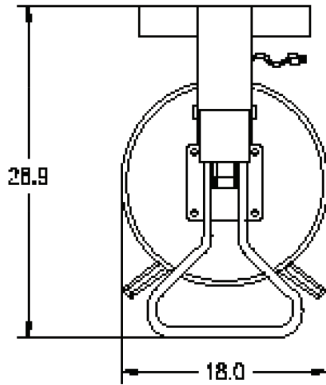
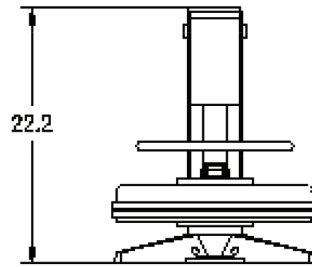


Flex X2T

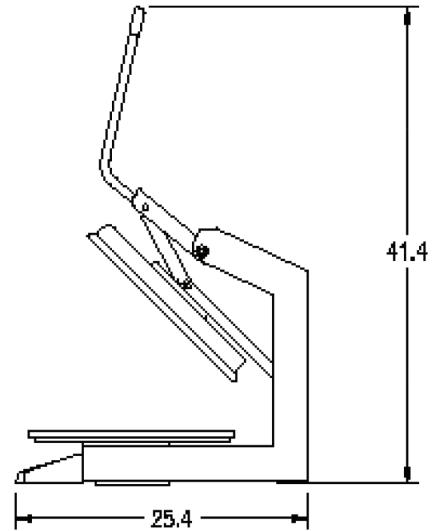
PP2020



TOP VIEW



FRONT VIEW



RIGHT SIDE VIEW

Equipment Details

Temperature Control	Yes	Tortillas Per Hour	200+
Maximum Heat	450°F/232°C	Shipping Weight	137lbs/62kg
Programmable Timer	Yes	Machine Weight	103lbs/46kg
Thickness Control	No	Voltage	208/220/240
ON/OFF Switch	Yes	Wattage	4600/3000/3000
Power Cord Length	72"	Amps	22.1/20.9/12.5



PROLUXE™

CORPORATE HEADQUARTERS
20281 HARVILL AVE. PERRIS, CA 92570

HELPING COMMERCIAL KITCHENS
PRODUCE GREAT FOOD FASTER

ADVICE AND SUPPORT
1-800-624-6717

Made-to-order Flour Tortillas

This dual heated dough press with a non-locking handle is designed for quick press times, ideal for making fresh flour tortillas. This affordable dough press also includes handy features like an automatic timer and temperature controls.



Flex X2T

Non-locking Dual Heat Tortilla Press
PP2020



Endless Possibilities

Easily produce a variety of dough products, from tortillas to fortune cookies.



200+ TORTILLAS PER HOUR



DUAL HEATED PLATENS



NON-LOCKING HANDLE



DIGITAL CONTROL WITH TIMER AND COUNTER