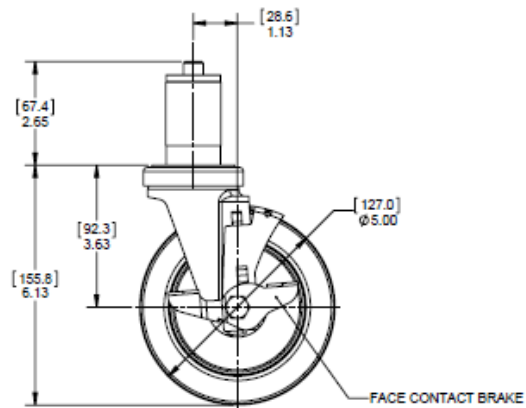


Item # \_\_\_\_\_  
 Job \_\_\_\_\_

# Work Table Caster Kit

## OLYMPIC WORK TABLE CASTER KIT

- **Attractive:** Caster comes in attractive point-of-sale (POS) box
- **Convenient:** Box contains four 5" work table casters with brakes that fit standard 1 5/8" or 1 1/2" ID tubing
- **Durable:** Each caster is constructed of durable, non-marking high modulus rubber
- **Load rating** is 300 lbs. (136kg) per caster
- **NSF listed**
- **Part Number:** J5WT-4



Wheel Diameter (In.) (mm)	Face (In.) (mm)	Load Rating (lbs.) (kg)	Type	Wheel Tread	Approx. Pkd. Wt. (lbs.) (kg)	Model No.
5 127	1 1/4 32	300 136	Stem/Brake	Flat High Modulus Rubber	9 4.1	J5WT-4