



# ATLAS METAL

1135 N.W. 159th DRIVE, MIAMI, FLORIDA 33169

TEL 305.625.2451

TOLL FREE 800.762.7565

FAX 305.623.0475

WWW.ATLASFOODSERV.COM

SALES@ATLASFOODSERV.COM

Project: \_\_\_\_\_

Item No.: \_\_\_\_\_

Quantity: \_\_\_\_\_

## MODULAR UNITS CA SERIES



CAIH-5 SHOWN WITH ACCESSORIES

## HOT FOOD UNIT

Electrically Heated

Individual Controls

Optional Drain & Manifold

CAIH-2

CAIH-3

CAIH-4

CAIH-5

CAIH-6

### SPECIFICATIONS

**TOP:** Constructed of 16 gauge, type 304 stainless steel, die-formed, welded, ground and polished. The top is provided with an opening to receive the appropriately sized drop-in unit. An integral locking device shall be provided to align and retain cart positioning when two or more carts are joined.

**BODY:** Frame construction shall be of hi-tensile aluminum square tubing, 1-1/4" x 1-1/4". Frame sections are welded construction, ground and polished to a uniform finish. Body is complete with front panel and 7" rear apron of plastic laminate on .063 aluminum. Owner to specify finish.

**HOT FOOD PAN:** The cart includes a WIH series drop-in hot pan installed in the top. Constructed of 18 gauge, type 304 stainless steel, with a raised perimeter bead and solid vinyl gasket. Individual 12" x 20" hot food wells are provided, fabricated of 18 gauge stainless steel, one piece construction, all welded, ground and polished to a uniform finish. All corners are covered with a minimum 1/4" radius. The pan is fully insulated with high density fiberglass insulation, 1" thick on all sides, 2" thick on the bottom and enclosed with a 22 gauge galvanized steel outer case

**ELECTRICAL:** The unit is provided with 850 watt heating elements, pre-wired to individual thermostat controls, with a pilot light for each well. A 6' long, 3-wire cord and plug is provided, extending from the control box located under the unit, on operator's left. Bottom of outer case can be removed for access to electrical components.

**CASTERS:** The casters shall be 5" diameter, non-marking rubber tired, swivel type with ball bearings in both swivel and axle raceways, provided with grease fittings. Both casters on operator's side have toe activated brakes.

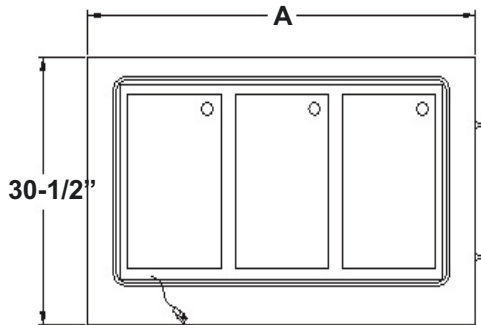
*Specifications subject to change without notice.*

### STANDARD FEATURES

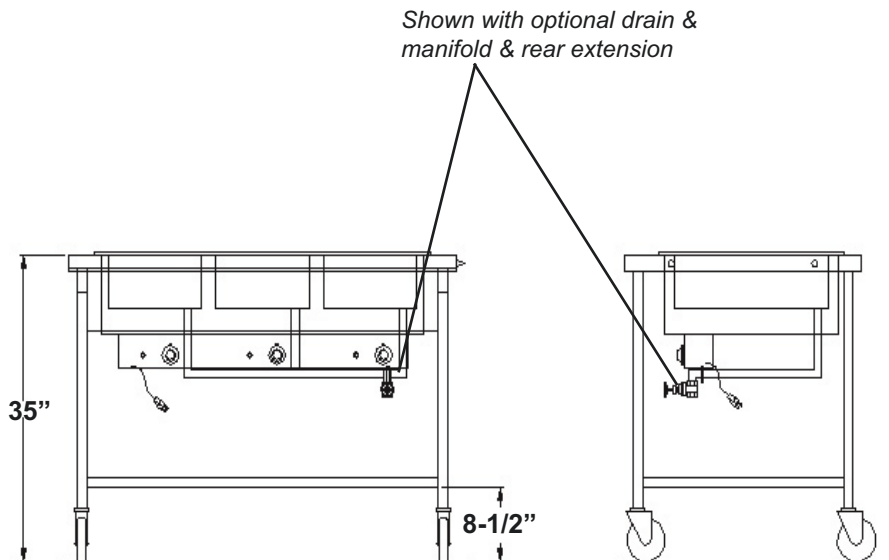
- Fully insulated to retain heat - individual, thermostatically controlled 12" x 20" hot food wells
- Positive self-locking device - keeps tops level and equipment in place
- Fully mobile - each unit is provided with 5" dia. swivel casters, two with brakes
- Versatile - available in a wide range of sizes and a wide variety of finishes and colors
- Wet or Dry Operation
- 1-Year Parts & Labor Warranty
- NSF Approved, UL Listed

### ACCESSORIES

- **SL** - Tray Slide, 11-1/4" wide, S/S, 2-rail, fold-down
- **SLT** - Tray Slide, 11-1/4" wide, S/S, 3-rail, fold-down
- **SLS** - Tray Slide, 11-1/4" wide, S/S, solid, ribbed, fold-down
- **SLF** - Tray Slide, 11-1/4" wide, plastic laminate with S/S runners, fold-down
- **SH** - Work Shelf, 8" wide, S/S, fold-down
- **CB** - Work Shelf, 8" wide, hardwood maple, fold-down
- **CR** - Work Shelf, 8" wide, Richlite, fold-down
- **ES** - End Shelf, 16" wide, S/S, fold-down
- **CBE** - End Shelf, 16" wide, hardwood maple, fold-down
- **EPA** - End Panel, aluminum w/ plastic laminate (each)
- **S** - S/S Front Panel
- **EPS** - S/S End Panel (each)
- **PP** - Painted Panels, urethane, in lieu of laminate
- **US** - Undershef, S/S, removable
- **RPS** - Rear Sliding Doors, removable
- **HD** - Hinged Doors, S/S
- **DL** - Door Locks (set)(for **RPS** or **HD**)
- **Sneeze Guards** - various styles available (see sneeze guard section of catalog)
- **RC** - Round Cutout
- **CO** - Convenience Outlet (specify base or apron mount)
- **CO-DUP** - Convenience Outlet, Duplex receptacle
- **JBH** - Outlet Box in base, 4x4 (120V/240V) with cord
- **ERS** - Electrical Raceway System
- **PCS** - 7 to 10 ft. Power Cord
- **CW** - Cord Wrap
- **P-CAST** - Polyurethane Casters, 2-W/Brakes
- **Legs** with adjustable feet, in lieu of casters
- **BSF** - Front Skirt with recessed casters
- **BSE** - End Skirt (each)
- **BSR** - Rear Skirt
- **Stainless Steel Adapter Plates & Adapter Bars** (pgs. DI-51 - DI-52)
- **CP** - Cover Plate with handles, S/S
- **D** - Individual Drain and Valve for each well (3/4" dia. drain)
- **DM** - Individual Drain for each well with manifold to single valve
- **DMV** - Individual Drain with valve for each well with manifold to single valve
- **DME** - Individual drain for each well with manifold to single valve w/ reat ext.
- **RDVE** - Rear Drain valve extension for **DM** & **DMV** (1) required
- **AMC** - Apron mounted remote controls
- **MS** - Master on/off switch
- **AF** - Automatic water fill



PLAN VIEW



REAR ELEVATION

END VIEW

**Electrical Characteristics**

MODEL	WATTAGE	VOLTAGE/KW/AMPS	NEMA # PLUG
CAIH-2	850WATT	120V - 1.7KW - 14.2 208V - 1.7KW - 8.2 240V - 1.7KW - 7.1	5-20P 6-15P 6-15P
	1000WATT	120V - 2.0KW - 16.7 208V - 2.0KW - 9.6 240V - 2.0KW - 8.3	6-30P 6-15P 6-15P
CAIH-3	850WATT	120V - 2.55KW - 21.3 208V - 2.55KW - 12.3 240V - 2.55KW - 10.6	5-30P L6-20P 6-15P
	1000WATT	120V - 3.0KW - 25.0 208V - 3.0KW - 14.4 240V - 3.0KW - 12.5	5-50P L6-20P L6-20P
CAIH-4	850WATT	208V - 3.4KW - 16.4 240V - 3.4KW - 14.2	L6-30P L6-20P
	1000WATT	208V - 4.0KW - 19.2 240V - 4.0KW - 16.7	L6-30P L6-30P
CAIH-5	850WATT	208V - 4.25KW - 20.4 240V - 4.25KW - 17.7	L6-30P L6-30P
	1000WATT	208V - 5.0KW - 24.0 240V - 5.0KW - 20.8	L6-30P L6-30P
CAIH-6	850WATT	208V - 5.1KW - 24.5 240V - 5.1KW - 21.3	6-50P L6-30P
	1000WATT	208V - 6.0KW - 28.8 240V - 6.0KW - 25.0	6-50P 6-50P

MODEL	"A"	FOOD WELLS	SHIP WT. (LBS)
CAIH-2	36-1/4" (92cm)	2	165 (74.8kg)
CAIH-3	50" (127cm)	3	200 (90.7kg)
CAIH-4	63-3/4" (161.9cm)	4	250 (113.4kg)
CAIH-5	77-1/2" (196.8cm)	5	305 (138.3kg)
CAIH-6	91-1/4" (231.7cm)	6	355 (161kg)