

# AT SERIES FOOD SHIELDS

## Self-Service Food Protector

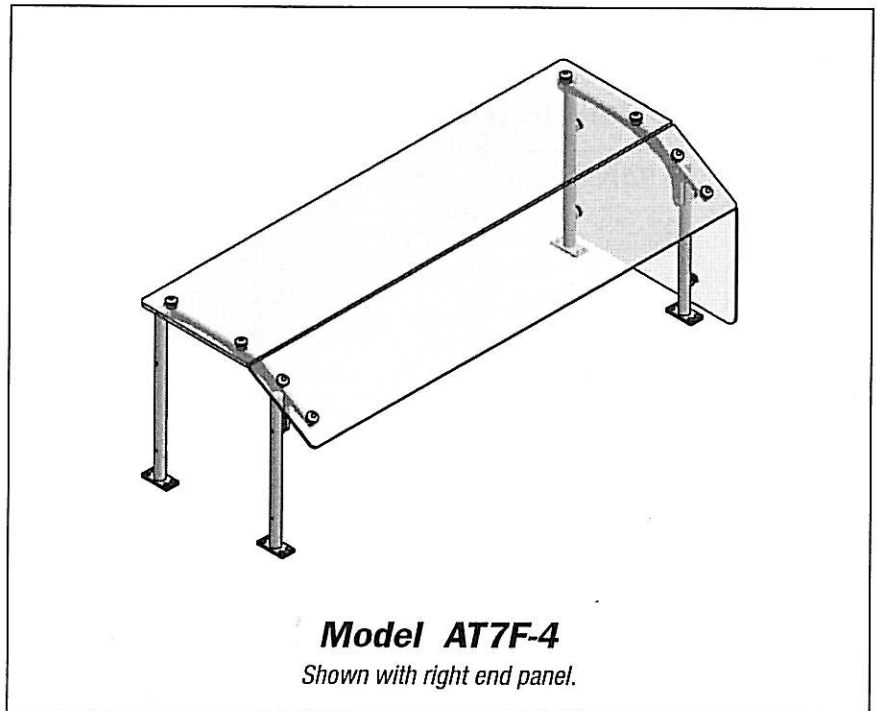
Model AT7F

Quantity: \_\_\_\_\_ Item No: \_\_\_\_\_

- Finish:
- Brushed & Anodized Aluminum
  - Black Matte Powder Coat
  - Silver Powder Coat
  - Brushed Stainless Steel
  - \_\_\_\_\_

End Panels: (from customer side)

- Left  Right



**VERSA-GARD®**  
Copyright © Versa-Gard, 2010



### DESCRIPTION

Self-service food protector.

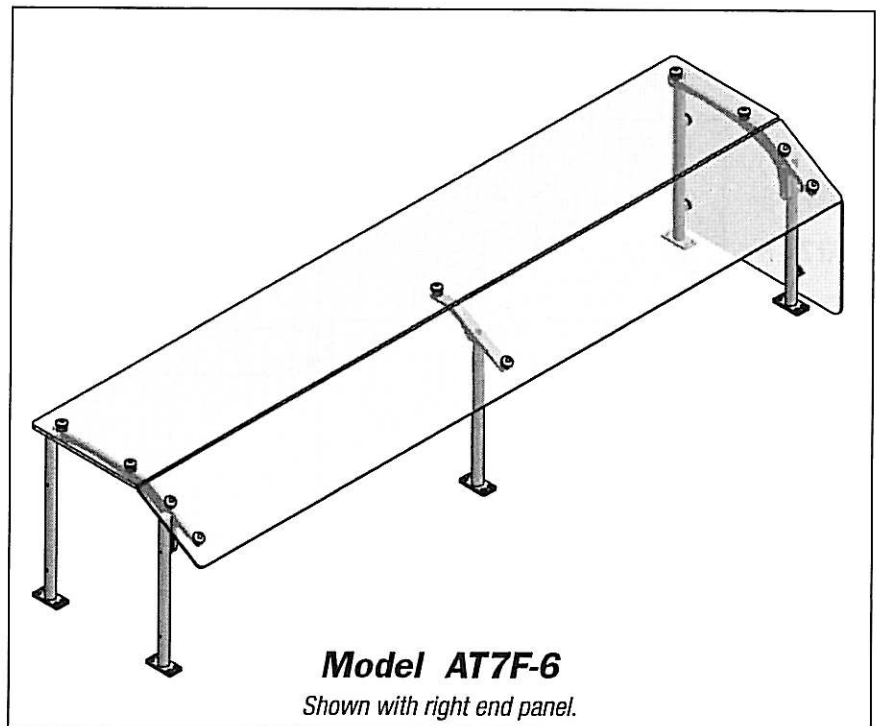
1"Ø CNC machined solid supports

Clear tempered glass panels that meet or exceed ANSI Z97.1 standards.

A wide range of finish options are available to match any décor.

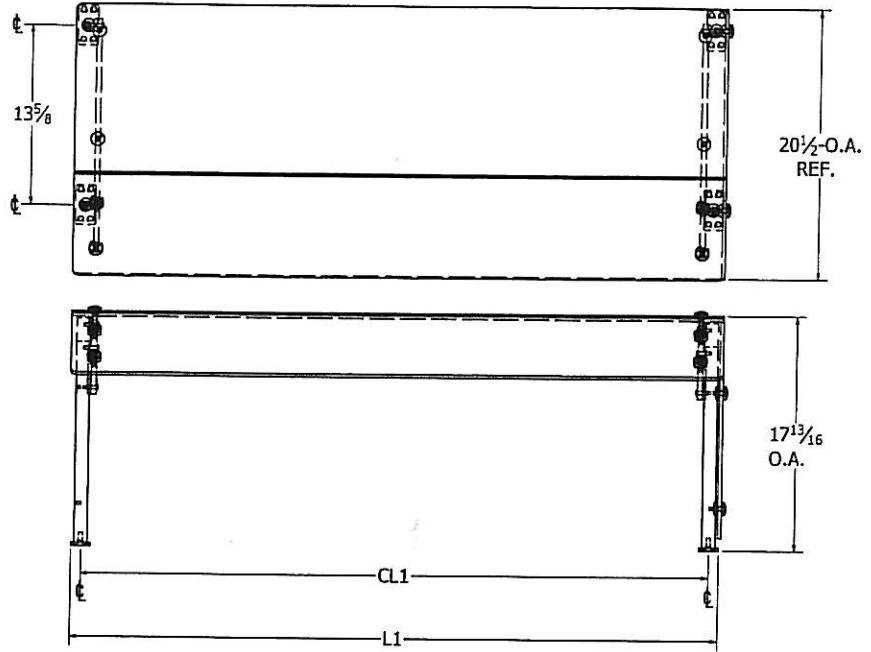
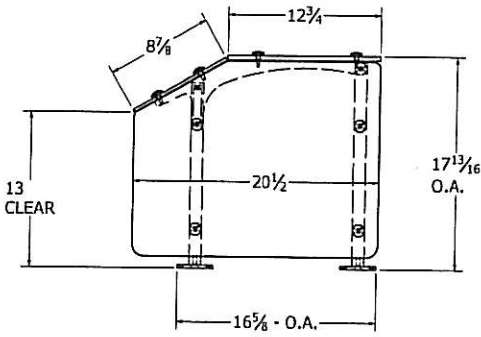
Exceptional construction – all components CNC machined in the USA for years of service. Modular design and machined componentry allows for changes or additions at a later date.

Produced, finished and assembled in the USA.



# Self-Service Food Protector

Model	OA length (L1)
<input type="checkbox"/> AT7F-2	35 1/4"
<input type="checkbox"/> AT7F-3	49"
<input type="checkbox"/> Custom	_____

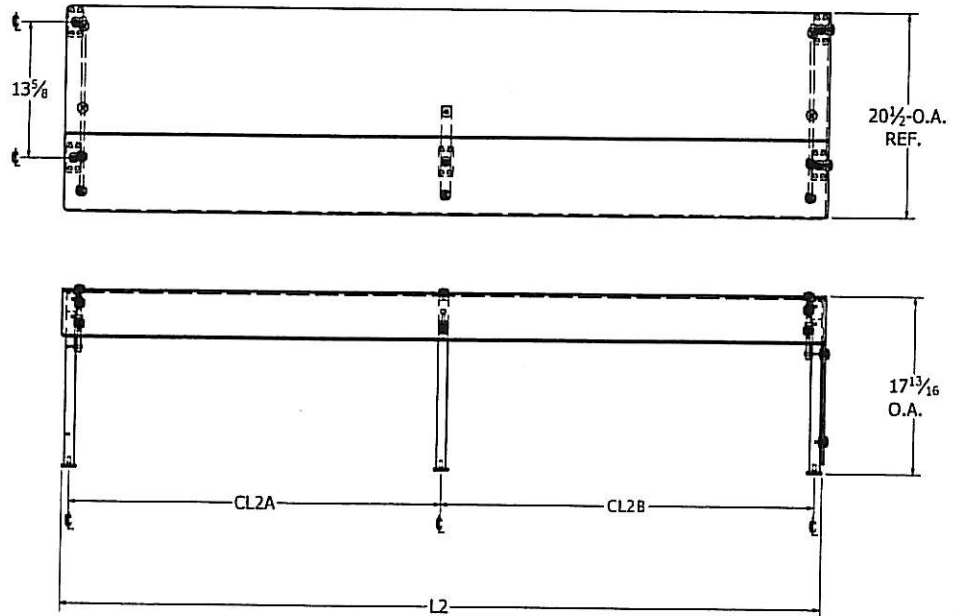
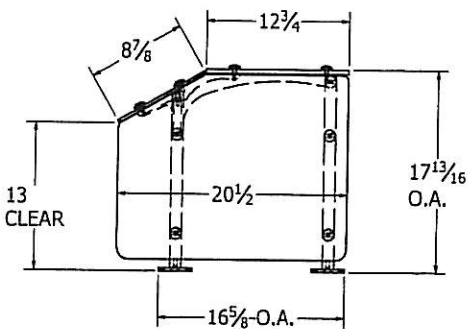


Shown with right end panel.

**VERSA-GARD**  
Copyright © Versa-Gard, 2010



Model	OA length (L2)
<input type="checkbox"/> AT7F-4	62 3/4"
<input type="checkbox"/> AT7F-5	76 1/2"
<input type="checkbox"/> AT7F-6	90 1/4"
<input type="checkbox"/> Custom	_____



Shown with right end panel.



a subsidiary of Mercury Aircraft  
1135 NW 159 Dr., Miami, Florida 33169  
Tel: (305) 625-2451 or (800) 762-7565 • Fax: (305) 623-0475

# AT SERIES FOOD SHIELDS

## Self-Service Food Protector with light fixture Model AT7F-L

Quantity: \_\_\_\_\_ Item No: \_\_\_\_\_

- Finish:  Brushed & Anodized Aluminum  
 Black Matte Powder Coat  
 Silver Powder Coat  
 Brushed Stainless Steel  
 \_\_\_\_\_

End Panels: (from customer side)

- Left  Right

Light Options:

- T8 fluorescent light fixture  
 LED light fixture

### DESCRIPTION

Self-service food protector with light fixture.

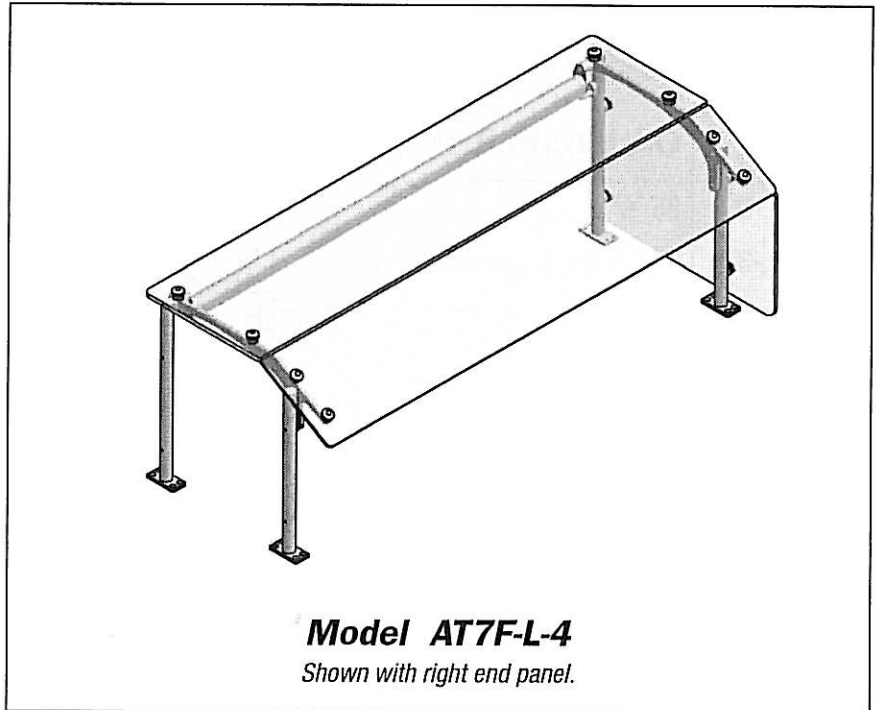
1"Ø CNC machined solid supports

Clear tempered glass panels that meet or exceed ANSI Z97.1 standards.

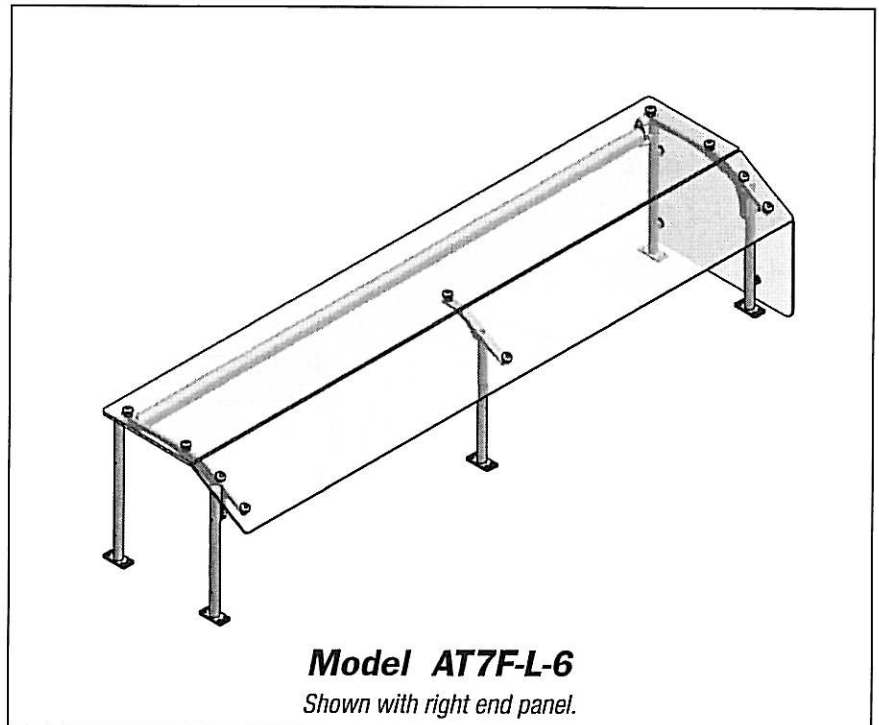
A wide range of finish options are available to match any décor.

Exceptional construction – all components CNC machined in the USA for years of service. Modular design and machined componentry allows for changes or additions at a later date.

Produced, finished and assembled in the USA.

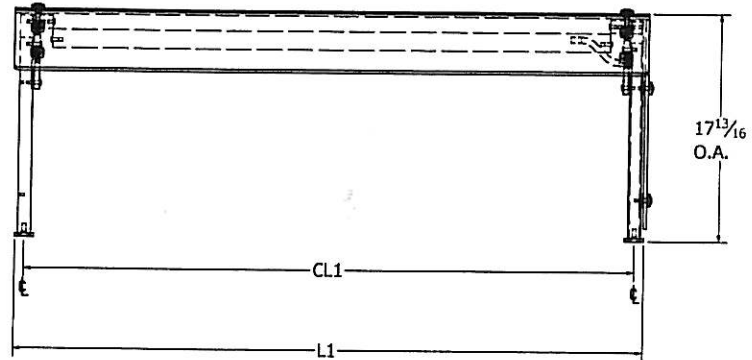
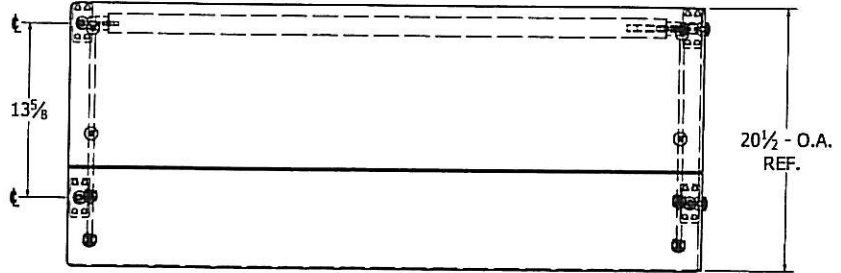
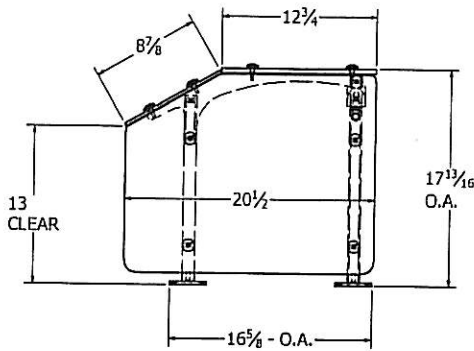


**VERSA-GARD®**  
Copyright © Versa-Gard, 2010



# Self-Service Food Protector with light fixture

Model	OA length (L1)
<input type="checkbox"/> AT7F-L-2	35 1/4"
<input type="checkbox"/> AT7F-L-3	49"
<input type="checkbox"/> Custom	_____

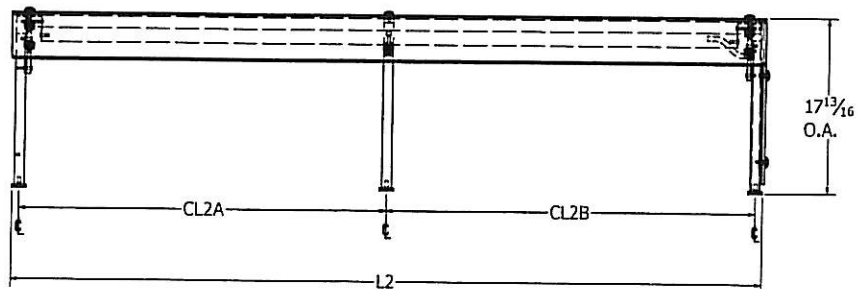
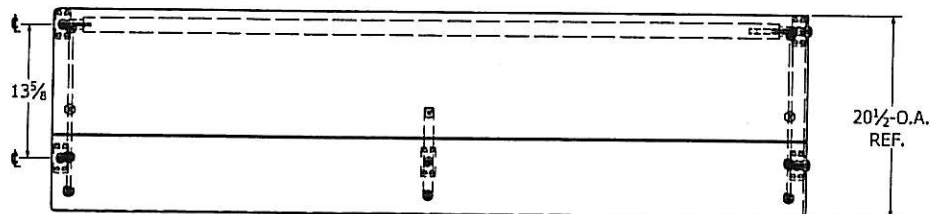
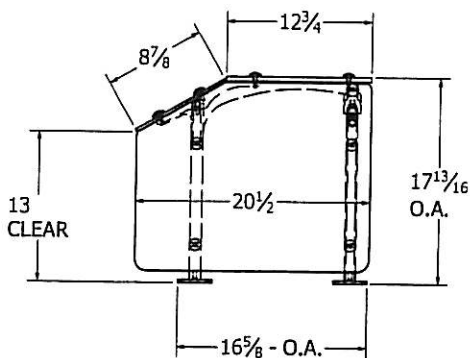


Shown with right end panel.

**VERSA-GARD**  
Copyright © Versa-Gard, 2010



Model	OA length (L2)
<input type="checkbox"/> AT7F-L-4	62 3/4"
<input type="checkbox"/> AT7F-L-5	76 1/2"
<input type="checkbox"/> AT7F-L-6	90 1/4"
<input type="checkbox"/> Custom	_____



Shown with right end panel.



a subsidiary of Mercury Aircraft  
1135 NW 159 Dr., Miami, Florida 33169  
Tel: (305) 625-2451 or (800) 762-7565 • Fax: (305) 623-0475

# AT SERIES FOOD SHIELDS

## Self-Service Food Protector with food warmer Model AT7F-H

Quantity: \_\_\_\_\_ Item No: \_\_\_\_\_

- Finish:  Brushed & Anodized Aluminum  
 Black Matte Powder Coat  
 Silver Powder Coat  
 Brushed Stainless Steel  
 \_\_\_\_\_

End Panels: (from customer side)

- Left  Right

Warmer Options:

- Hatco® GRAH food warmer  
 Hatco® GRAHL food warmer with light

### DESCRIPTION

Self-service food protector with food warmer.

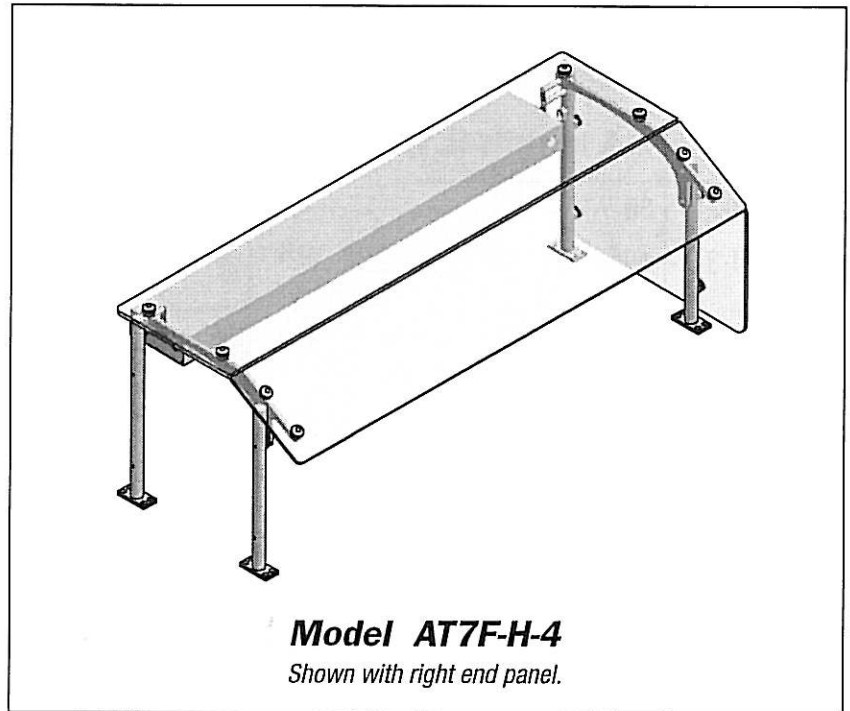
1"Ø CNC machined solid supports

Clear tempered glass panels that meet or exceed ANSI Z97.1 standards.

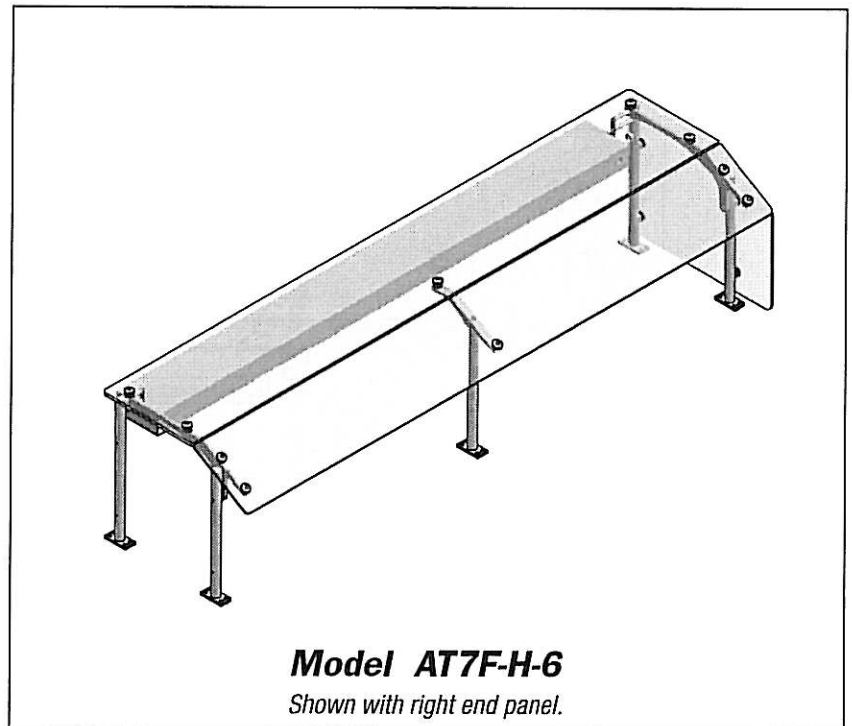
A wide range of finish options are available to match any décor.

Exceptional construction – all components CNC machined in the USA for years of service. Modular design and machined componentry allows for changes or additions at a later date.

Produced, finished and assembled in the USA.

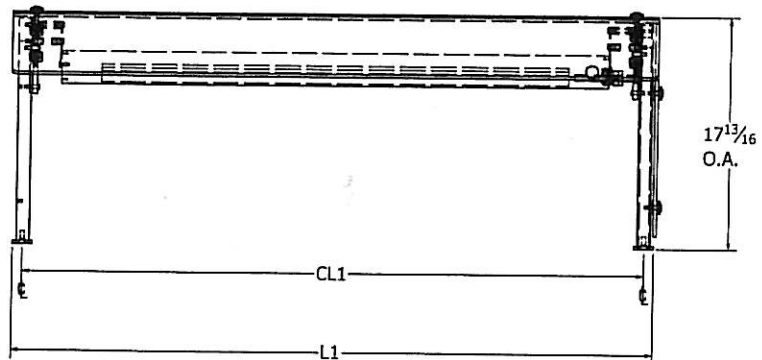
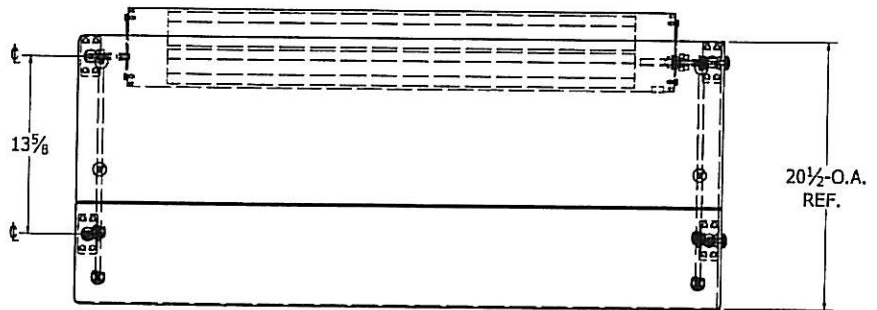
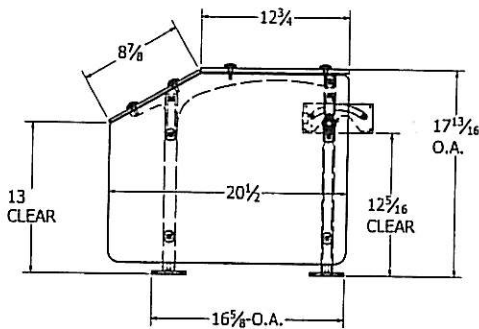


**VERSA-GARD®**  
Copyright © Versa-Gard, 2010



# Self-Service Food Protector with food warmer

Model	OA length (L1)
<input type="checkbox"/> AT7F-H-2	35 1/4"
<input type="checkbox"/> AT7F-H-3	49"
<input type="checkbox"/> Custom	_____



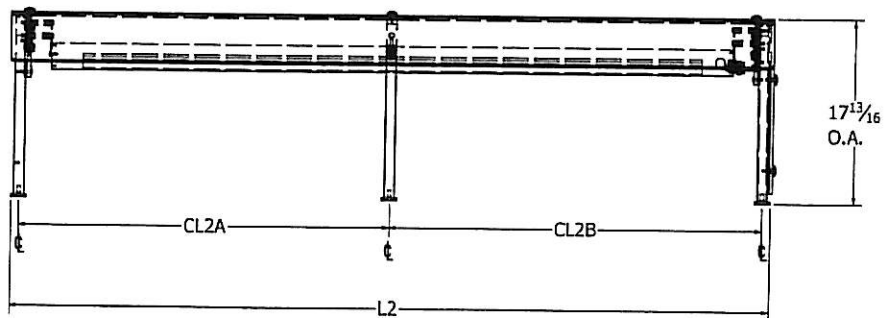
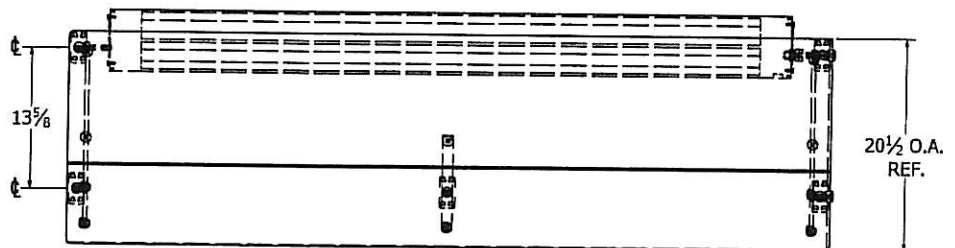
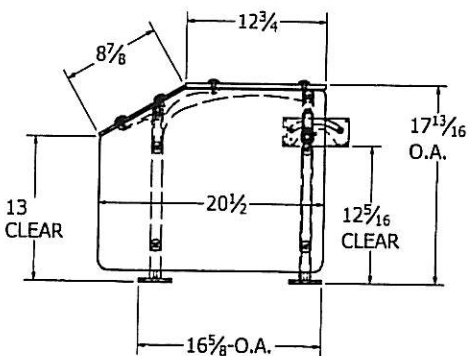
Shown with right end panel.

**VERSA-GARD®**

Copyright © Versa-Gard, 2010



Model	OA length (L2)
<input type="checkbox"/> AT7F-H-4	62 3/4"
<input type="checkbox"/> AT7F-H-5	76 1/2"
<input type="checkbox"/> AT7F-H-6	90 1/4"
<input type="checkbox"/> Custom	_____



Shown with right end panel.



a subsidiary of Mercury Aircraft  
1135 NW 159 Dr., Miami, Florida 33169  
Tel: (305) 625-2451 or (800) 762-7565 • Fax: (305) 623-0475