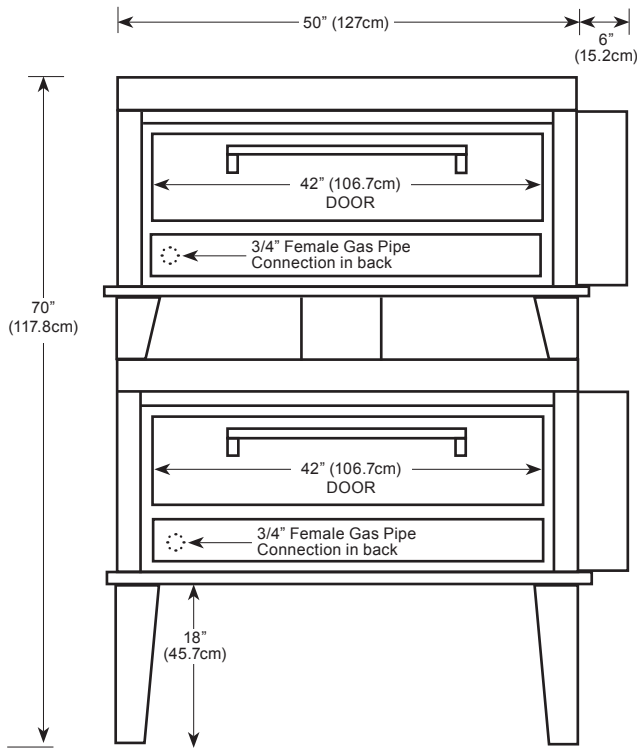


MAXIMIZER

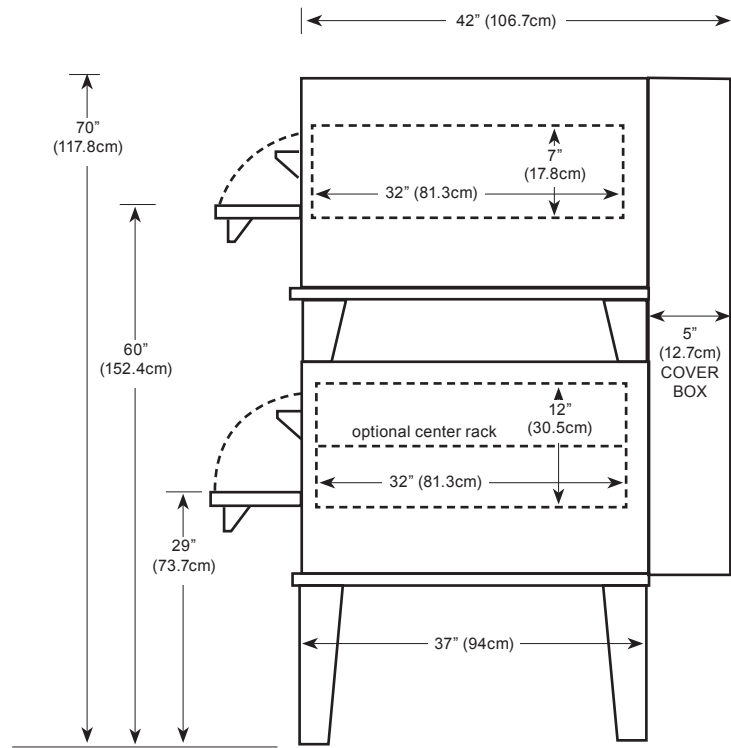
Electric Bake & Roast Ovens

MODEL CE51/CE41BESC

Electric Bake/Roast Ovens can be combined with electric Pizza Ovens to meet your specific needs. Contact Peerless for details.



FRONT VIEW
CE51/CE41BESC



SIDE VIEW
CE51/CE41BESC

Floor space56" (142.2cm) wide x 42" (106.7cm) deep* x 70" (177.8cm) high
Shelf size CE51BESC . . .	42" (106.7cm) wide x 32" (81.3cm) deep x 12" (30.5cm) high
Shelf size CE41BESC . . .	42" (106.7cm) wide x 32" (81.3cm) deep x 7" (17.8cm) high
Shipping weight	1075 lbs (487.6kg)
Capacity	Two 18"x26" bun pans per section
Electric8 KW - 220V single phase, 50 AMPS each (2) Optional three phase, 30 AMPS each (2)
Maximum opening required for installation: 25"	* Handle adds 2.5"(6.4cm) to depth

