

PREMIUM FLAT TOP WORKTABLE

WORKTABLES - FLAT TOP

16GA

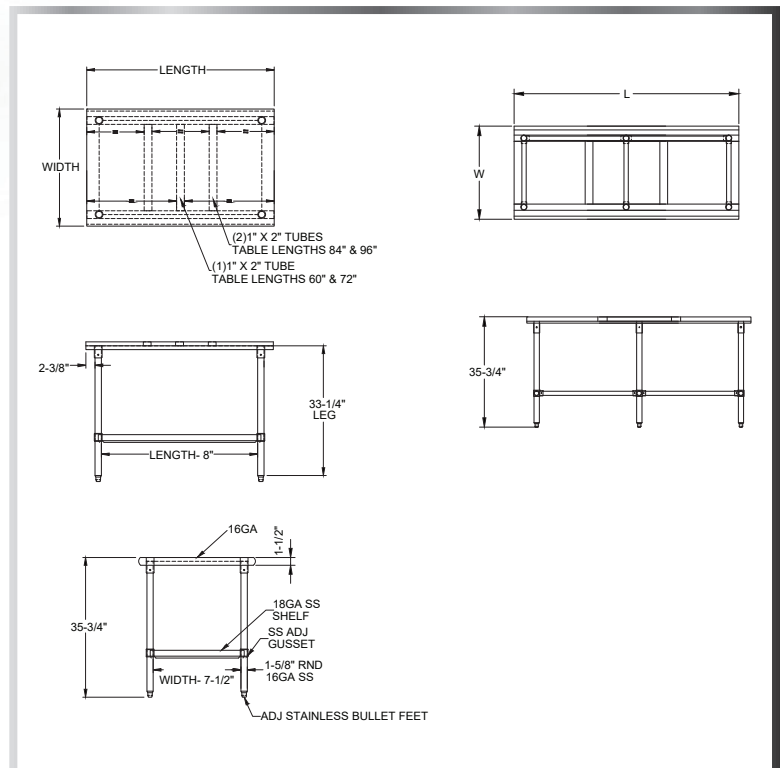


MATERIALS

- 16 Gauge 304 Series Stainless Steel
- Stainless Steel Lower Shelf, Legs, and Bullet Feet

FEATURES

- Bullnose Front and Rear Edges
 - Adjustable Lower Shelf
- Adjustable Bullet Feet (* Has 6 Legs/ Feet)
- Available With Casters (Page 120)



MODEL NUMBER	LENGTH	WIDTH
TS6-2424	24"	24"
TS6-3024	30"	24"
TS6-3030	30"	30"
TS6-3624	36"	24"
TS6-3630	36"	30"
TS6-4824	48"	24"
TS6-4830	48"	30"

MODEL NUMBER	LENGTH	WIDTH
TS6-6024	60"	24"
TS6-6030	60"	30"
TS6-7224	72"	24"
TS6-7230	72"	30"
TS6-8424*	84"	24"
TS6-8430*	84"	30"
TS6-9624*	96"	24"
TS6-9630*	96"	30"