



RESOURCES

Portable Beverage Center

Underbar Equipment

Certifications:



Features:

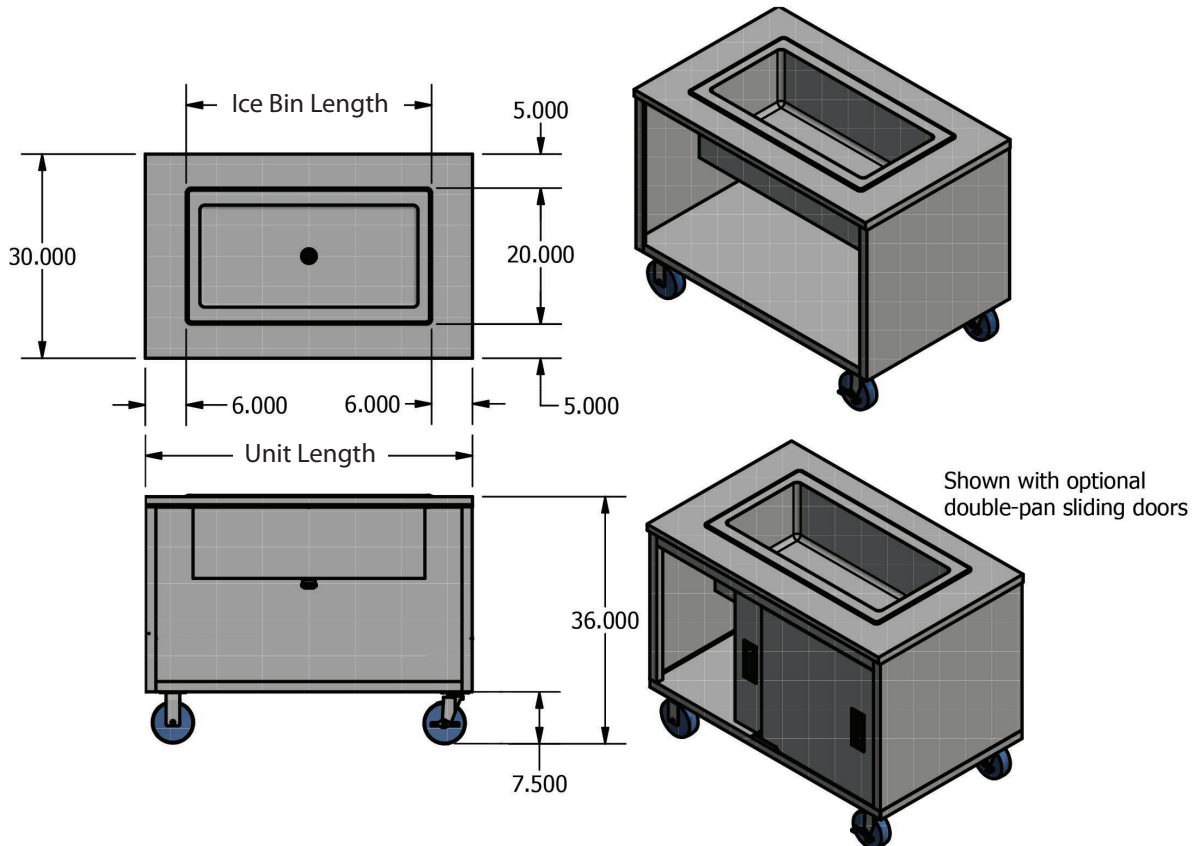
- 36" Height
- 3-5 day lead time

Material:

- 14 Gauge Stainless Steel Top
- 18 ga. Stainless Steel Body
- Heavy Duty Casters



MODEL	UNIT SIZE (l x w x h)	Ice Bin Size (l x w)	Product Weight (lbs)
WITHOUT Sliding Doors			
PBC-3048	30" x 48 x 36"	36" x 20"	220.00
PBC-3060	30" x 60 x 36"	48" x 20"	260.00
WITH Sliding Doors			
PBC-3048S	30" x 48 x 36"	36" x 20"	250.00
PBC-3060S	30" x 60 x 36"	48" x 20"	315.00



PRODUCT DATA SHEET

RESOURCES

