



LEGEND™

Heavy-Duty 36" (914mm) Gas Range

Item No. _____

Project _____

Quantity _____

(-2E) Top Series



Model 136-2E

SHORT/BID SPECIFICATION

Range shall be a Montague **Legend** Model [Specify one]:

- 136-2E**, with front-vented 40,000 BTU/hr conventional oven with counterweighted door, porcelainized steel interior, three-position rack guides and one wire pan rack standard
- V136-2E**, with indirect-fired 40,000 BTU/hr convection oven with counterweighted door, porcelainized steel interior, five-position rack guides and three wire pan racks standard
- 36-2E**, with open front cabinet base with two shelves;
- M36-2E**, with 28" (711mm) high modular stand with stainless steel tubular legs;

...a 36" (914mm) wide heavy-duty gas-fired unit with two 12" (305mm) heavy-duty cast iron, precision-ground open top grates, over two 30,000 BTU/hr lift off star burners; plus one Even-Heat 30,000 BTU/hr 12" (305mm) wide solid hot top with one-piece cast iron plate, provided with individual burner controls and automatic standing pilots; stainless steel front and exterior bottom, black painted sides and back, 4" (102mm) high flue riser and 3" (76mm) deep front rail standard; plus all the features listed and options/accessories checked:

RANGE TOP FEATURES:

Two 12" wide x 31" deep (305 x 787mm) open burner tops, positioned left, with

- Heavily ribbed cast iron, surface-ground top grate
- Four large diameter 30,000 BTU/hr lift off star burners with raised ports
- Automatic, standing pilots
- Drip pan positioned under open burners

One 12" wide x 31" deep (305 x 787mm) Hot Top positioned right, with:

- Heavy cast iron precision-ground plate
- Cast iron EVEN HEAT 20,000 BTU/hr burner
- Heat transfer studs cast in plate bottom
- 2" (51mm) side and front flanges to isolate heat under plate
- Insulating partition between top sections

MODEL GUIDE		
Model No.	Base Style/Type	-2E Range Top
136-2E	With Standard Oven	
V136-2E	With Convection Oven	
36-2E	With Cabinet Base	
M36-2E	With Modular Stand	

STANDARD (136-2E MODEL) OVEN FEATURES:

- 26-5/8" wide x 28" deep x 15" high (676 x 711 x 381mm) cooking compartment
- Accepts 18" x 26" (457 x 660mm) pans sideways or lengthwise
- Front venting oven design for more even cooking
- Heavy-duty counterweighted oven door — no springs
- Three position adjustable nickel-plated rack supports, with one rack standard
- Interior panels and door porcelain lined for long life & easy cleaning
- Low-to-500°F (260°C) thermostat mounted in insulated cool zone
- 40,000 BTU/hr cast iron burner with automatic ignition safety pilot

CONVECTION (V136-2E MODEL) OVEN FEATURES:

- 26-5/8" wide x 22-1/4" deep x 15" high (676 x 565 x 381mm) cooking compartment
- Muffled, indirect fired design with blower, for fast-even cooking
- Heavy-duty counterweighted oven door — no springs
- Five-position adjustable nickel-plated rack supports, with three racks standard
- Interior panels and door porcelain lined for long life & easy cleaning
- Low-to-500°F (260°C) thermostat mounted in insulated cool zone
- 40,000 BTU/hr cast iron burner with automatic ignition safety pilot
- 6' (1829mm) cord with 3-prong plug (grounding NEMA 5-15P)

STANDARD CONSTRUCTION FEATURES:

- Satin finish stainless steel front and exterior bottom with 3" (76mm) deep front rail
- Other surfaces painted black with electrolytic zinc undercoating
- Stainless steel 4" (102mm) rear flue riser standard
- 6" (152mm) adjustable stainless steel legs standard (Except M36-2E Model)
- 28" (711mm) stainless steel tubular legs standard with M36-2E Model
- Cabinet base with sides, back panel and two shelves on 36-2E Model
- 1-1/4" NPT front gas manifold with 1/2 union on each end

AGENCY APPROVALS:

- NSF Listed
- ETL Design Certified to ANSI Z83.11 • CSA 1.8
- CE Approved • EN 203-1



HDS-8 [Rev. 2/17]

Item No. _____

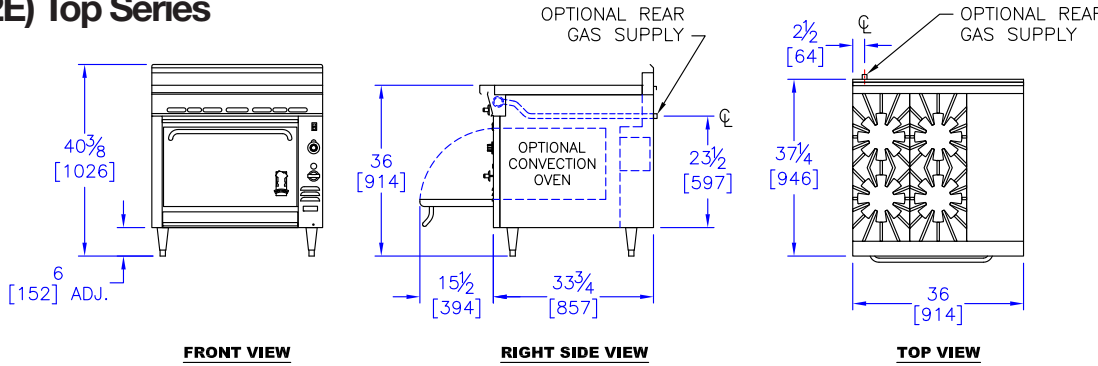
Project _____

Quantity _____

LEGEND™ Heavy-Duty 36" (914mm) Gas Range

(-2E) Top Series

Dimensions in brackets are millimeters



OPTIONS GUIDE:

Open Burner Top Sections:

- 30,000 BTU/hr front lift off star burner with rear 15,000 BTU/hr solid hot top [-59], positioned:
 - Left Center Left & Center
- Cast Iron Ribbon Grate, (for use with 20,000 BTU/hr burners only) positioned:
 - Left (1) Center (1) Left & Center (2)
- 20,000 BTU/hr lift off star burner, positioned:
 - Left (2) Center (2) Left & Center (4)
- 42" (1067 mm) range depth [Add Suffix: -40]
- 304 stainless steel burner box assembly

Back Panels/Shelves:

- 18" (457mm) high back
- Single high shelf
- Double high shelf
- 6" (152mm) wide stainless steel plate shelf
- 8" (203mm) wide stainless steel plate shelf
- cabinet base door

Electrical (V136):

- 120 V, 1-phase, 60 Hz, 3.4 A

(standard, with 6' (1.8m) NEMA 5-15P power cord)

- 208-240 V, 1-phase, 60 Hz, 1.7 A
- 230 V, 1-phase, 50 Hz, 3.9 A

Oven:

- Cast iron oven bottom
- Extra oven racks: ____ ea.
- 650°F (343°C) finishing oven with cast iron oven bottom-*includes cast iron oven bottom option* [see Heavy Duty option page HDS-48]

Manifolds: [Left rear with pressure regulator]:

- 1" NPT up to 400,000 BTU/hr
- Manifold Cap:** left side right side

Stainless Manifold Cover:

- left side right side

Controls: *Options include 304 stainless steel burner box assembly and lift out 304 stainless steel drip pans open tops only [see Heavy Duty option page HDS-48]

- *Electronic rangetop pilot ignition; electronic oven control (V136 & 136 ovens only)
- ↑ Flame failure rangetop safety valves

- ↓ Electronic rangetop pilot ignition & flame failure rangetop safety valves; electronic oven control (V136 & 136 ovens only)

Finish:

- Stainless steel left side panel
- Stainless steel right side panel
- Stainless steel back panel
- Stainless steel shelves and sides [36-2E Cabinet Model]

General:

- Casters — set of four 5" (127mm) casters
- Flanged feet with holes

Flex Connector Kit [1"] NPT:

- 3' (914mm) 4' (1219mm)

Security Options/Prison Package

[Consult Factory]

International Approvals:

- CE - Conformite Europeenne - EN203-1
- Includes flame failure valve option*
- Canadian Approval

INSTALLATION REQUIREMENTS & SHIPPING INFORMATION

1. Ovens & ranges must be installed in accordance with local codes or in their absence with the National Fuel Gas Code: ANSI Z223.1; CAN/CGA-B149.1-Natural Gas and Propane Installation Code, as applicable. Compliance with codes is the responsibility of the Owner and Installer.
2. An adequate ventilation system is required. Refer to National Fire Protection Association No. 96, Standard for Ventilation Control and Fire Protection of Commercial Cooking Operations.
3. This appliance is intended for commercial use by professionally trained personnel. NOT intended for Residential Use.
4. Specify installation elevation: _____ if above 2,000 ft (610m).
5. GAS INLET SIZE (All Models): 1-1/4" (32mm) front manifold with 1/2" union on each end provided for battery connection. A properly sized gas pressure regulator must be furnished by the Installer.
6. The incoming gas line pressure into the regulator should be 8"-14" w.c. for natural gas, and 12"-14" w.c. for propane gas.

Minimum Clearances	Combustible Construction	Noncombustible Construction
From Back Wall*	2" (51mm)	0"
Left & Right Side	15" (381mm)	0"
With 6" (152mm) legs	Suitable for installation on combustible floors	
*V136 Models require 2" (51mm) motor clearance at rear.		
Curb installation requires a minimum toe space depth of 2" (51mm). Consult factory for details on installing convection oven range bases on curbs.		

Specify Type of Gas:		<input type="checkbox"/> Natural	<input type="checkbox"/> Propane	<input type="checkbox"/> FFV ↓	Electrical	Shipping Weight	Shipping Class	Cube (Crated) ft ³ /m ³
Gas Delivery Pressure:		6.0" WC	10.0" WC	Natural/Propane	120V			
Models:	Burners	BTU/hr* (kW)	BTU/hr* (kW)	BTU/hr* (kW)	Amperage			
136-2E	6	180,000 (52.8)	180,000 (52.8)	180,000 (52.8)	---	566 lbs (256 kg)	85	32/.9
V136-2E	6	180,000 (52.8)	180,000 (52.8)	180,000 (52.8)	3.4	580 lbs (263 kg)	85	32/.9
36-2E	5	140,000 (41)	140,000 (41)	140,000 (41)	---	390 lbs (177 kg)	85	27/.75
M36-2E	5	140,000 (41)	140,000 (41)	140,000 (41)	---	334 lbs (151 kg)	85	18/.5

Entry Clearance: 30" (762mm) uncrated, with legs removed [All Models]

Due to continuous product improvements, specifications are subject to change without notice.



THE MONTAGUE COMPANY
 1830 Stearman Avenue, Hayward, CA 94545
 800 345-1830 • Fax: 510 785-3342
 www.montaguecompany.com



HDS-8 [Rev. 2/17]