

FLAT TOP WORKTABLE WITH ENCLOSED BASE & SLIDING DOORS

WORKTABLES - ENCLOSED BASE



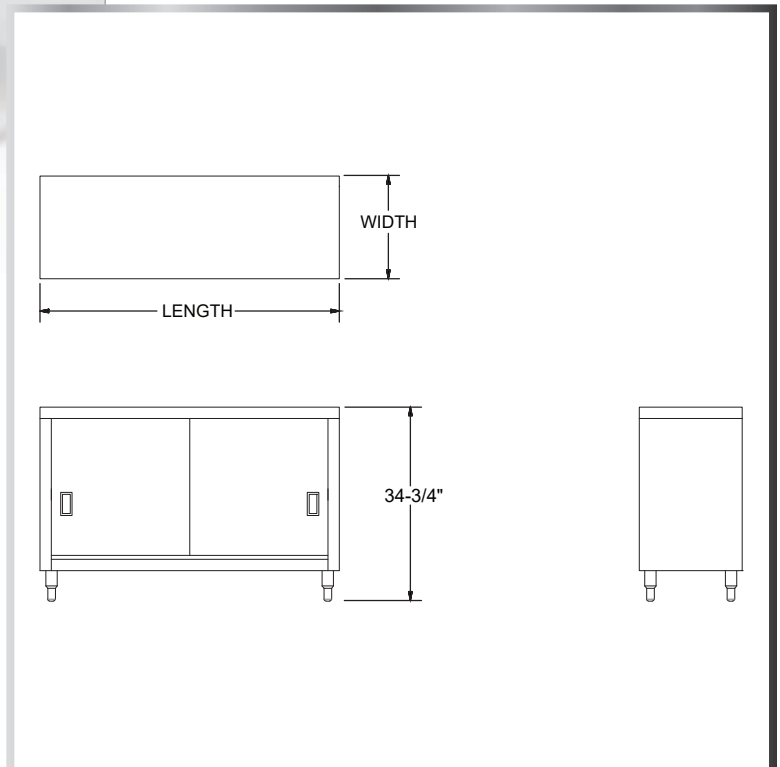
MATERIALS

- 14 Gauge 304 Series Stainless Steel Top
- 18 Gauge Stainless Steel Body
- Stainless Steel Panels on Sides and Rear
- Stainless Steel Lower Shelf, Legs, and Bullet Feet



FEATURES

- Enclosed Cabinet Base
 - Two Sliding Doors
- Adjustable Middle Shelf and Fixed Lower Shelf
- Adjustable Legs and Bullet Feet



MODEL NUMBER	LENGTH	WIDTH
TCB-3624S	36"	24"
TCB-4824S	48"	24"
TCB-6024S	60"	24"
TCB-7224S	72"	24"
TCB-3630S	36"	30"
TCB-4830S	48"	30"
TCB-6030S	60"	30"
TCB-7230S	72"	30"

(609) 642 - 8389 | SALES@NBREQUIPMENT.COM | WWW.NBREQUIPMENT.COM

NBR EQUIPMENT, 10 ABEEL ROAD, CRANBURY, NJ 08512