

Empura[®]

Manual Griddles

EMG-12

EMG-24

EMG-36

EMG-48

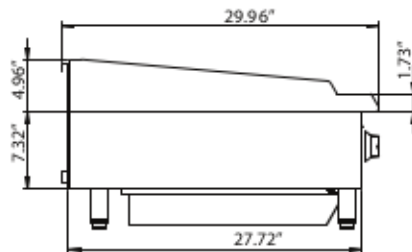
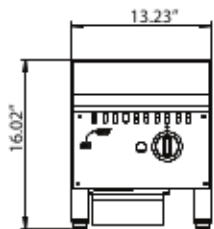
EMG-60



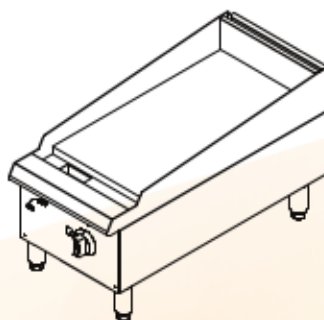
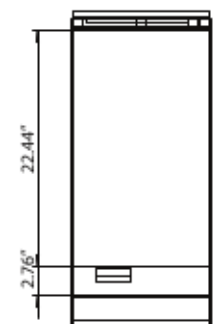
Features

- Stainless steel front and sides
- Steel U-shape burner, each 30,000 BTU/hr
- 1" thickness polished griddle plate
- Standby S/S pilot for easy start
- Adjustable heavy duty legs
- Grease through channel in the front
- Stainless steel oil collector in the bottom
- Stainless steel splash guard at 3 sides
- Durable brass control valve
- Easy access to pilot valve adjustment screws

MODEL	COOKING DIMENSIONS	EXTERIOR DIMENSIONS (W x D x H in inches)	# OF BURNERS	TOTAL BTU's	NET WEIGHT	SHIPPING WEIGHT
EMG-12	12" X 22"	12" x 26" x 15.80"	1	30,000	100 lbs	130 lbs
EMG-24	24" X 22"	24" x 26" x 15.80"	2	60,000	209 lbs	243 lbs
EMG-36	36" X 22"	36" x 26" x 15.80"	3	90,000	302 lbs	335 lbs
EMG-48	48" X 22"	48" x 26" x 15.80"	4	120,000	338 lbs	421 lbs
EMG-60	60" X 22"	60" x 26" x 15.80"	5	150,000	510 lbs	560 lbs



EMG-12



Warranty: 1 year parts only

Gas connection: 3/4" NPT on the rear of the appliance. Gas regulator included.
Gas pressure: 4" W.C. - Natural Gas / 10" W.C. - Propane
Clearance: Combustible: 4 inches sides, 4 inches rear, 16 inches to adjacent open flame burner units / Non-combustible: 0 inches sides 0 inches, 16 inches to adjacent open flame burner units.

Specify type of gas and altitude, if over 2,000 feet, when ordering.

An adequate ventilation system is required for commercial cooking equipment.

Empura®

Manual Griddles

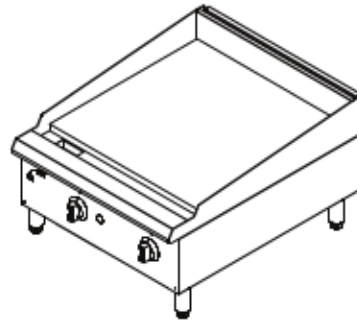
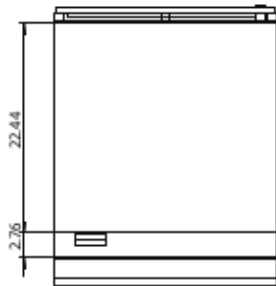
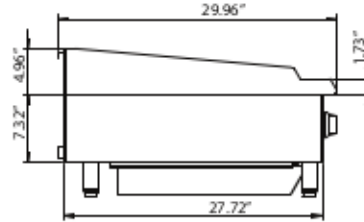
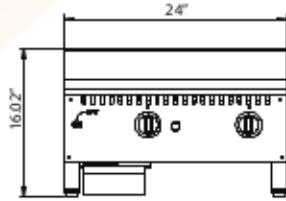
EMG-12

EMG-24

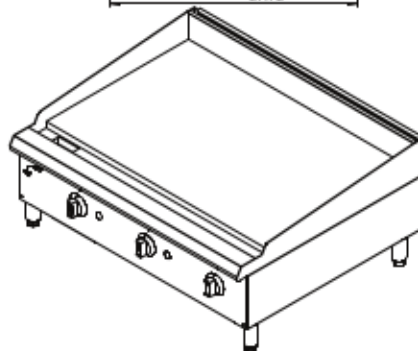
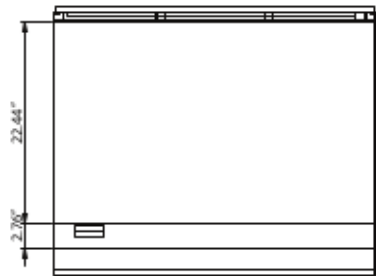
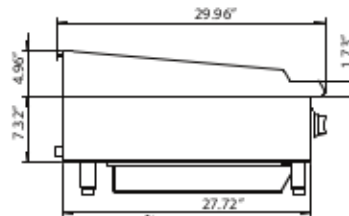
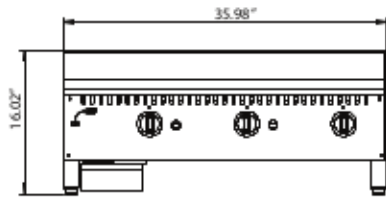
EMG-36

EMG-48

EMG-60



EMG-24



EMG-36



Warranty: 1 year parts only

Gas connection: 3/4" NPT on the rear of the appliance. Gas regulator included.

Gas pressure: 4" W.C. - Natural Gas / 10" W.C. - Propane

Clearance: Combustible: 4 inches sides, 4 inches rear, 16 inches to adjacent open flame burner units / Non-combustible: 0 inches sides 0 inches, 16 inches to adjacent open flame burner units.

Specify type of gas and altitude, if over 2,000 feet, when ordering.

An adequate ventilation system is required for commercial cooking equipment.

Empura®

Manual Griddles

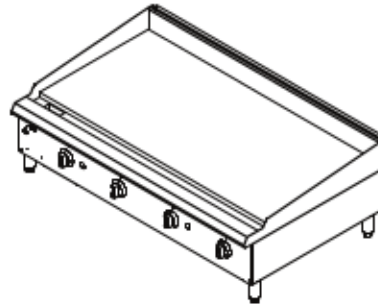
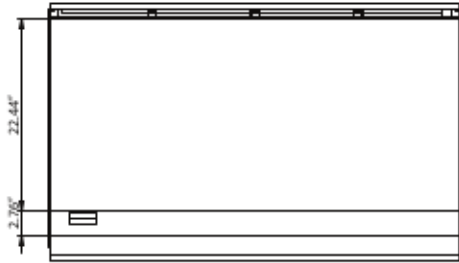
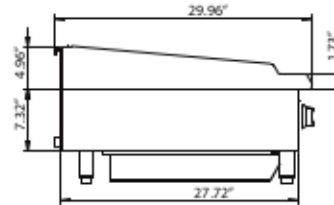
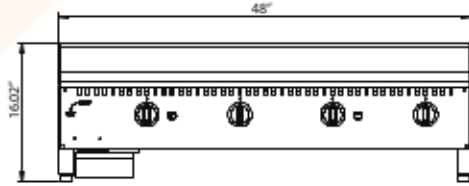
EMG-12

EMG-24

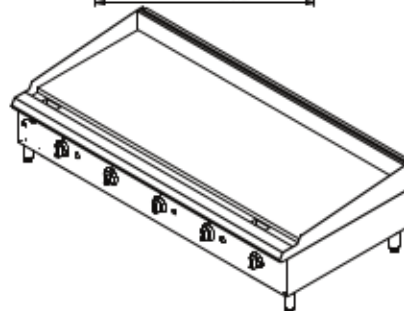
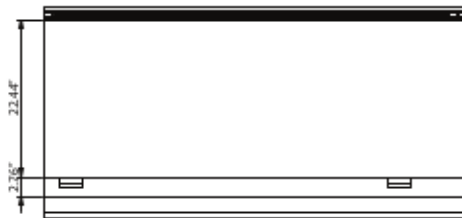
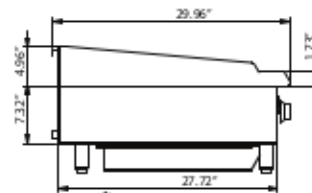
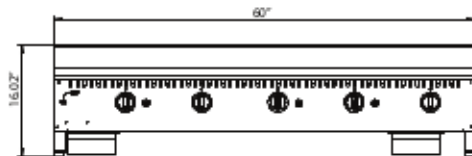
EMG-36

EMG-48

EMG-60



EMG-48



EMG-60



Warranty: 1 year parts only

Gas connection: 3/4" NPT on the rear of the appliance. Gas regulator included.

Gas pressure: 4" W.C. - Natural Gas / 10" W.C. - Propane

Clearance: Combustible: 4 inches sides, 4 inches rear, 16 inches to adjacent open flame burner units / Non-combustible: 0 inches sides 0 inches, 16 inches to adjacent open flame burner units.

Specify type of gas and altitude, if over 2,000 feet, when ordering.

An adequate ventilation system is required for commercial cooking equipment.