



# T&S BRASS AND BRONZE WORKS, INC.

2 Saddleback Cove / P.O. Box 1088  
Travelers Rest, SC 29690

Model No.

**B-1146-XS-F12**

Item No.

Travelers Rest, SC: 800-476-4103 • Simi Valley, CA: 800-423-0150 • Fax: 864-834-3518 • www.tsbrass.com



**ADA Compliant**

This Space for Architect/Engineer Approval

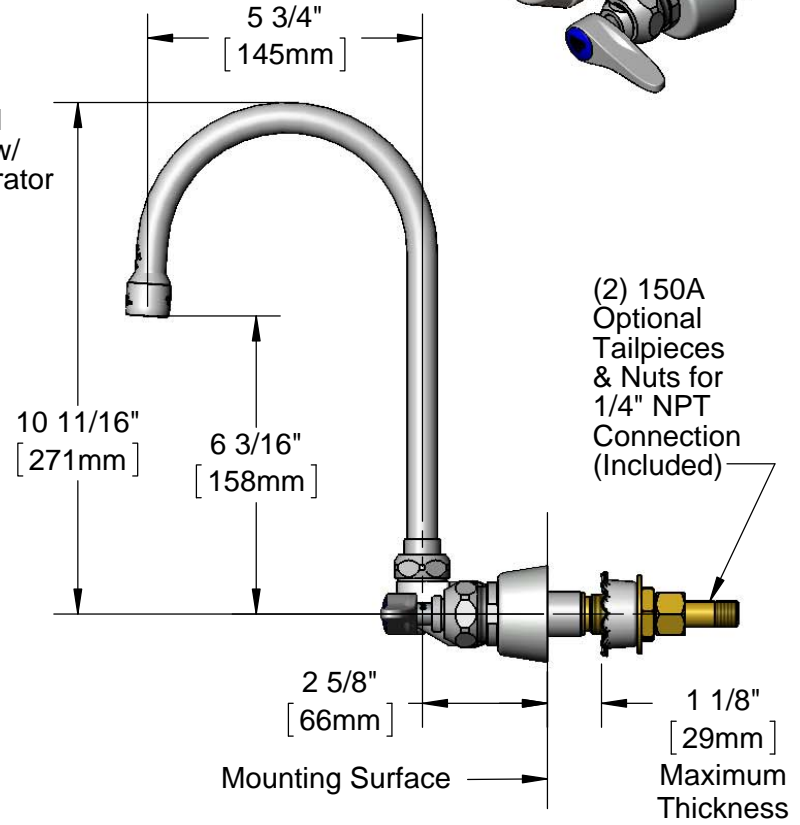
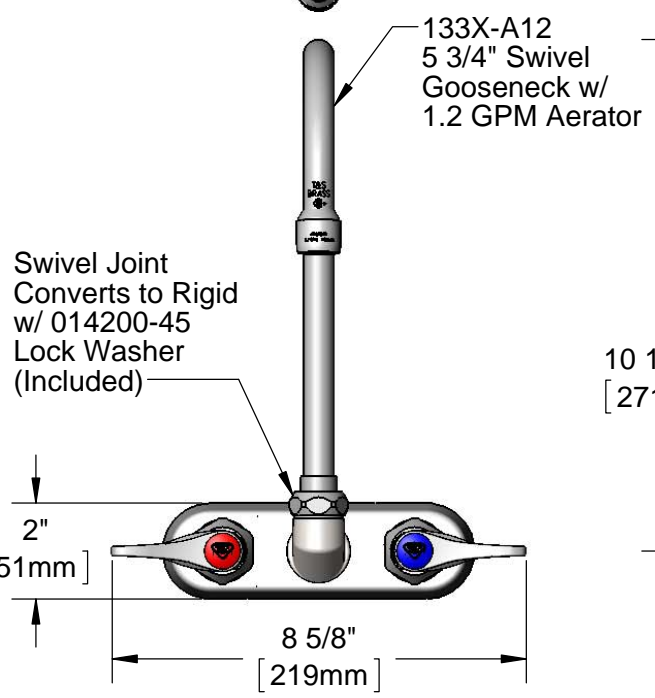
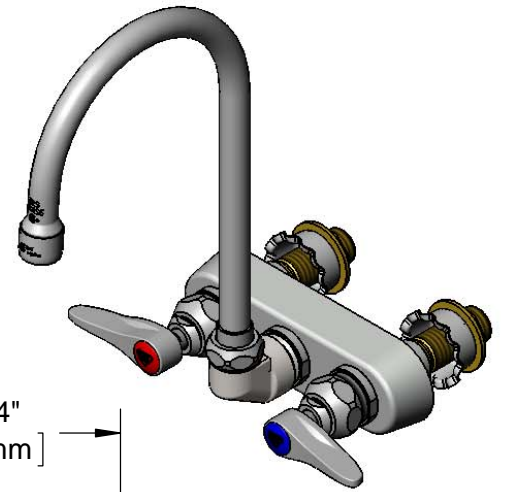
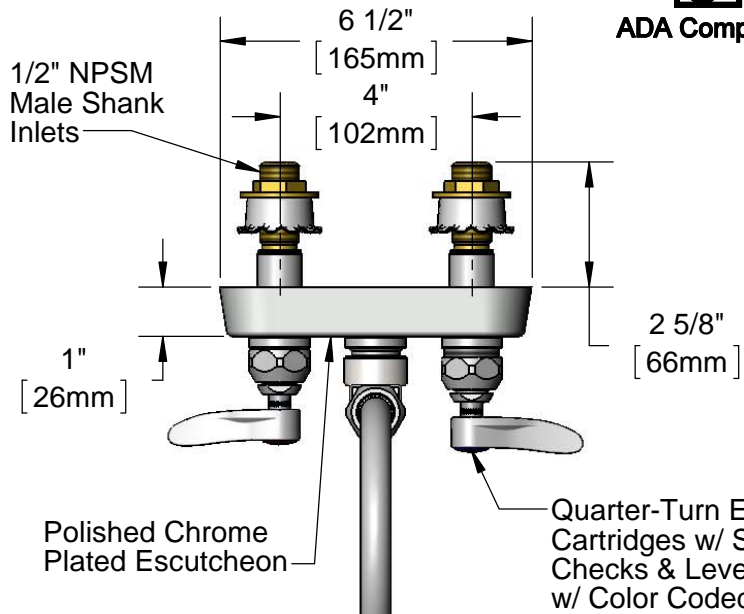
Job Name \_\_\_\_\_ Date \_\_\_\_\_

Model Specified \_\_\_\_\_ Quantity \_\_\_\_\_

Customer/Wholesaler \_\_\_\_\_

Contractor \_\_\_\_\_

Architect/Engineer \_\_\_\_\_



**Rough-In Requirement:**  
(2)  $\varnothing$ 1" [25mm] Mounting Holes

**Product Specifications:**

4" Wall Mount Workboard Faucet, Quarter-Turn Eterna Cartridges w/ Spring Checks, Lever Handles, 5 3/4" Swivel Gooseneck, 1.2 GPM Aerator & 1/2" NPSM Male Extended Inlets

**Product Compliance:**

ASME A112.18.1 / CSA B125.1  
NSF 61 - Section 9  
NSF 372 (Low Lead Content)  
ANSI A117.1 (ADA)  
EPA WaterSense



# T&S BRASS AND BRONZE WORKS, INC.

2 Saddleback Cove / P.O. Box 1088  
Travelers Rest, SC 29690

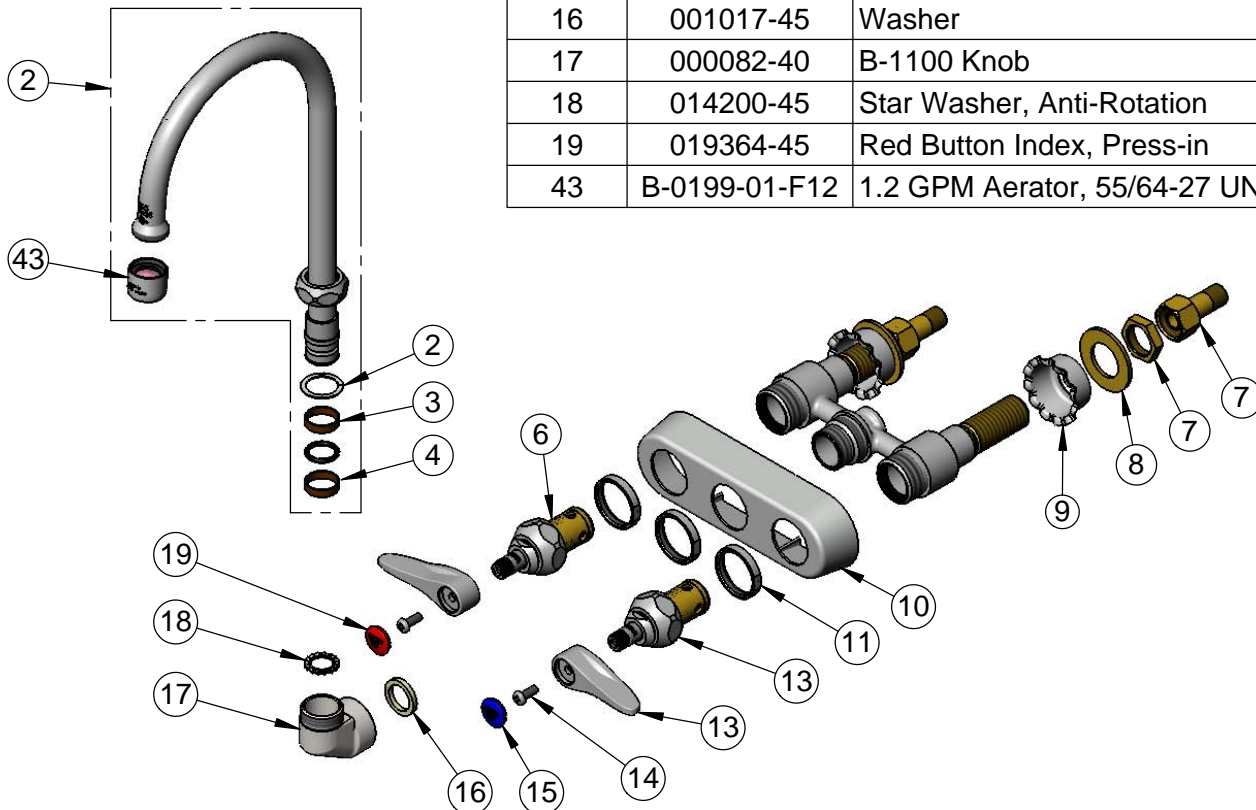
Model No.

**B-1146-XS-F12**

Item No.

Travelers Rest, SC: 800-476-4103 • Simi Valley, CA: 800-423-0150 • Fax: 864-834-3518 • www.tsbrass.com

ITEM NO.	SALES NO.	DESCRIPTION
1	133X-A12	5 3/4" Swivel Gooseneck w/ 1.2 GPM Aerator
2	009538-45	Swivel Washer
3	011429-45	Swivel Sleeves (2)
4	001074-45	O-Ring
5	019382-40	Quarter-Turn New Style Eterna Cartridge w/ Spring Check, LTC
6	150A	1/4" NPT Tailpiece & Nut
7	002954-45	Shank Lock Nut
8	000999-45	Brass Lock Washer
9	001000-45	Rosette Washer
10	019374-40	B-1110 Eterna Workboard Escutcheon
11	019376-40	Escutcheon Lock Nut
12	019383-40	Quarter-Turn New Style Eterna Cartridge w/ Spring Check, RTC
13	019361-45	Lever Handle (New Style)
14	000925-45	Lab Handle Screw
15	019363-45	Blue Button Index, Press-in
16	001017-45	Washer
17	000082-40	B-1100 Knob
18	014200-45	Star Washer, Anti-Rotation
19	019364-45	Red Button Index, Press-in
43	B-0199-01-F12	1.2 GPM Aerator, 55/64-27 UN Female



**Product Specifications:**

4" Wall Mount Workboard Faucet, Quarter-Turn Eterna Cartridges w/ Spring Checks, Lever Handles, 5 3/4" Swivel Gooseneck, 1.2 GPM Aerator & 1/2" NPSM Male Extended Inlets

**Product Compliance:**

ASME A112.18.1 / CSA B125.1  
NSF 61 - Section 9  
NSF 372 (Low Lead Content)  
ANSI A117.1 (ADA)  
EPA WaterSense