



# STAINLESS STEEL BASICS Frozen Drink Machine Stand

Item #:	_____	Qty #:	_____
Model #:	_____		
Project #:	_____		



SCFD-18

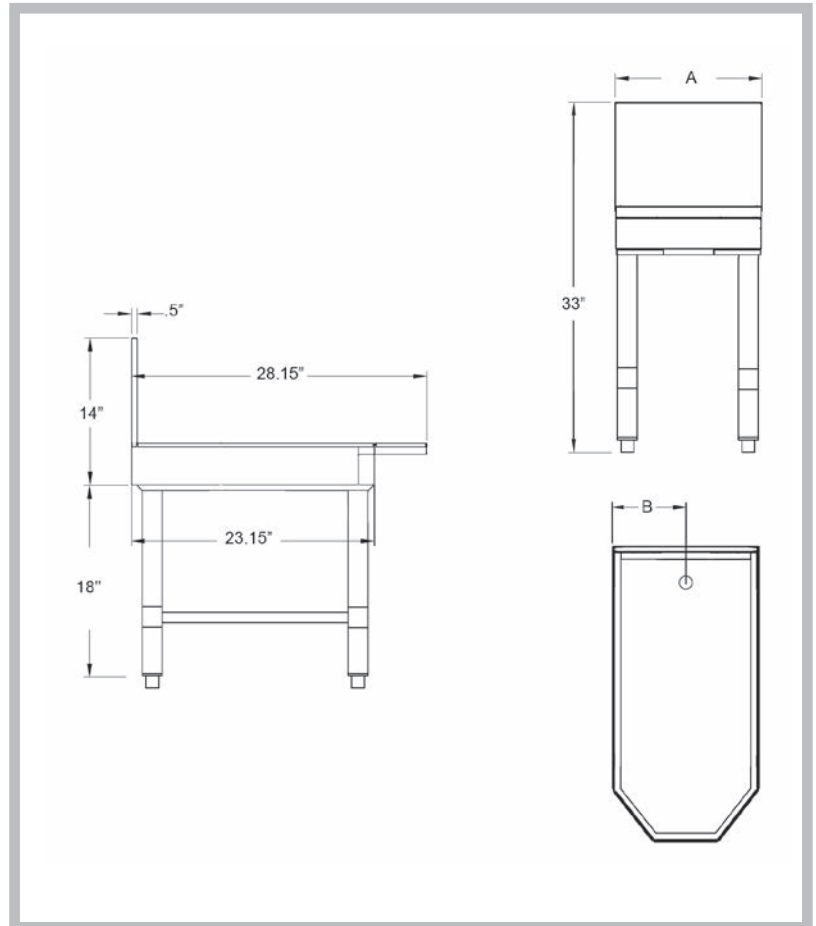
Model #	O.A. Length (A)	Drain Location (B)	Drink Machine Capacity	Approx. Weight	Approx. Cu. Ft.
SCFD-18	18"	9"	1	45 lbs.	10

Size Of Drink Machine Must Be Verified When Ordering.

## DETAILS and SPECIFICATIONS

TOL Overall: ± .500" Interior: ± .250"

ALL DIMENSIONS ARE TYPICAL



### FEATURES:

- Lower working height to accommodate the height of most drink machines for underbar use.
- Beveled front.
- 14" backplash.
- 10-1/2" working height.
- Drain in the centered in the back of the unit.
- Galvanized legs with adjustable plastic bullet feet.
- Adjustable galvanized side cross-bracing.

### MATERIAL:

- 20 gauge, 300 stainless steel
- Top:** 18 gauge, 300 stainless steel
- Legs:** 1 5/8" O.D. 18 gauge, galvanized steel with adjustable plastic bullet feet

### MECHANICAL:

- 1" IPS drain

### OPTIONAL:

- SU-10A** - 18" stainless steel legs with cross-bracing



Customer Service Available To Assist You 1-800-645-3166 8:30 am - 7:00 pm E.S.T.

For Orders & Customer Service:  
Email: customer@advancetabco.com or Fax: 631-242-6900

For Smart Fabrication™ Quotes:  
Email: smartfab@advancetabco.com or Fax: 631-586-2933