

SPEC# _____

QUANTITY _____

model:

FSTM-075

FlashGard HP™ Reverse Osmosis System



FSTM-075

The 3M FSTM-075 Reverse Osmosis (RO) system produces consistent water quality water for the reduction of scale and corrosion-causing minerals in flash steamer applications.

The RO membrane rejects over 96% of the minerals that cause scale build-up and corrosion.

Activated carbon and graded porosity pretreatment helps protect the RO membrane from chlorine and fine particulate.

PRODUCT BENEFITS

- Sanitary Quick Change (SQC) encapsulated filter and membrane design reduces the possibility of contamination during change-outs.
- Cartridge interconnect system allows for quick and easy cartridge change-outs. No spills, no mess.
- Line pressure reverse osmosis membrane requires no power; operates on incoming water pressure**.
- Rugged stainless steel bracket design is virtually rust and corrosion resistant; allows system to either be wall-mounted or set on a shelf.
- Compact design allows for installation in tight areas.
- FDA CFR-21 and/or NSF compliant materials provide peace of mind that this system is suitable for foodservice applications.

PRODUCT SPECIFICATIONS

Model Number	Part Number	Reduction Claims	Capacity*	Application
FSTM-075	56123-06	Reverse Osmosis System	75 gpd (284 lpd)	Flash Steamers

* Capacity is at 77° F (25°C) to atmosphere

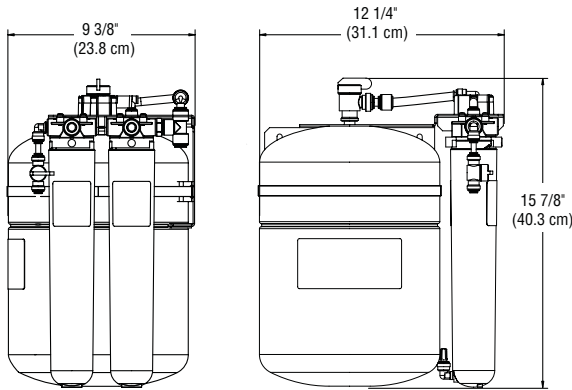
** Minimum 60 psi (414 kPa) feedwater pressure required.

FSTM-075 FlashGard HP™ Reverse Osmosis System

3M™ Water Filtration Products

SPEC # _____
 QUANTITY _____
 MODEL NUMBER _____
 PART NUMBER _____

PHYSICAL SPECIFICATIONS



- System incorporates reverse osmosis technology.
- System contains integrated prefiltration for the reduction of particulate and chlorine taste and odor.
- RO membrane is thin film composite (TFC) type.
- System provides greater than 96% rejection of TDS.
- System manufactured of FDA/CFR-21 compliant materials.
- System is wall mountable with a stainless steel bracket design.
- System inlet plumbing connections are 1/4" quick disconnect type.
- System drain plumbing connections are 1/4" quick disconnect type.
- System outlet plumbing connections are 3/8" quick disconnect type.
- System includes an integrated 2 gallon (7.6 liter) water storage tank.
- System production rate 75 gallons (284 liters) at 77°F (25°C) per 24 hour period.
- Incoming water pressure must be a minimum of 60 psi (414 kPa) and a maximum of 100 psi (690 kPa).
- Incoming water temperature must be a minimum of 40° F (4.4° C) and a maximum of 100° F (37.8° C).

REPLACEMENT CARTRIDGES

Part Number	Type	Quantity Required
55706-0	5 Micron Prefilter Cartridge	1
55987-16	Reverse Osmosis Membrane	1

IMPORTANT: INSTALLATION TIPS

⚠ **WARNING:** To reduce the risk associated with the ingestion of contaminants:

- Do not use with water that is microbiologically unsafe or of unknown quality without adequate disinfection before or after the system.

Systems certified for cyst reduction may be used on disinfected water that may contain filterable cysts. EPA Establishment #070595-CT-001

3M Purification Inc. recommends regularly scheduled maintenance and replacement of the filter cartridge(s) in order for the product to perform as advertised/sold. 3M Purification Inc. shall not be liable for system failures due to improper maintenance.

These installation tips are for informational purposes only and are not intended to be used as actual installation instructions.

CAUTION: To reduce the risk associated with property damage due to water leakage:

- **Read and follow** Use Instructions before installation and use of this system.
- Installation and use **MUST** comply with all state and local plumbing codes.
- **Protect from freezing**, remove filter cartridge when temperatures are expected to drop below 40°F (4.4°C).
- **Do not install** on hot water supply lines. The maximum operating water temperature of this filter system is 100°F (37.8°C).
- **Do not install** if water pressure exceeds 100 psi (690 kPa). If your water pressure exceeds 80 psi (552 kPa), you must install a pressure limiting valve. Contact a plumbing professional if you are uncertain how to check your water pressure.
- **Do not install** where water hammer conditions may occur. If water hammer conditions exist you must install a water hammer arrester. Contact a plumbing professional if you are uncertain how to check for this condition.
- The disposable filter cartridge **MUST** be replaced every 12 months, at the rated capacity or if a noticeable reduction in flow rate occurs.
- The RO membrane **MUST** be replaced every 24-36 months.

LIMITED WARRANTY

3M Purification Inc. warrants FSTM-075 only to be free from defects in material and workmanship for two (2) years from the date of purchase. The disposable filter cartridge is warranted from defects in material and workmanship for a period of one (1) year from the date of purchase. This warranty does not cover failures resulting from abuse, misuse, alterations or damage not caused by 3M Purification Inc. or failure to follow installation and use instructions. No warranty is given as to the service life of any filter cartridge or membrane as it will vary with local water conditions and consumption. **3M PURIFICATION INC. MAKES NO OTHER WARRANTIES OR CONDITIONS, EXPRESS OR IMPLIED, INCLUDING, BUT NOT LIMITED TO, ANY IMPLIED WARRANTY OR CONDITION OF MERCHANTABILITY OR FITNESS FOR A PARTICULAR PURPOSE OR ANY IMPLIED WARRANTY OR CONDITION ARISING OUT OF A COURSE OF DEALING, CUSTOMER OR USAGE OF TRADE.** If the Product fails to satisfy this Limited Warranty during the warranty period, 3M Purification Inc., at its option, will replace the Product or refund your Product purchase price. This warranty does not cover labor. **The remedy stated in this paragraph is Customer's sole remedy and 3M Purification Inc.'s exclusive obligation. For additional information, see the entire Limited Warranty located in the product Installation and Operation Instruction Manual.**

Limitation of Liability: 3M Purification Inc. will not be liable for any loss or damage arising from this 3M Purification Inc. product, whether direct, indirect, special, incidental, or consequential, regardless of the legal theory asserted, including warranty, contract, negligence or strict liability. Some states and countries do not allow the exclusion or limitation of incidental or consequential damages, so the above limitation or exclusion may not apply to you.



3M Purification Inc.
 400 Research Parkway
 Meriden, CT 06450 U.S.A.
 Toll Free: 866.990.9785
 Worldwide: 203.237.5541
 Fax: 203.238.8701
 www.3Mfoodservice.com
 www.3Mpurification.com