



MKFA 664 TS

SIX-TRAY, FULL-SIZE COMBI OVEN

WITH TOUCH SCREEN AND DIAL CONTROLS



FEATURES

- (6) 18" x 26" tray capacity with 3 5/32" pitch
- (12) GN 1/1 (hotel/12"x20") tray capacity side-by-side (on grids)
- (12) Half-size (13"x18") tray capacity side-by-side (on grids)
- Two-year parts & labor warranty *INCLUDED*
- Wi-Fi connectivity *INCLUDED*
- Water/Drain Installation kit *INCLUDED*
- (6) 18" x 26" stainless-steel grids *INCLUDED*
- Integrated automatic wash system *INCLUDED*
- Removable multi-point core probe *INCLUDED*
- Temperature range 86°F to 518°F
- (2) Bi-directional, auto-reversing fans
- 500 program capacity (up to 10 steps each)
- Pre-installed/customizable programs
- AISI 304 stainless-steel cooking chamber
- Right-hinged (left-opening) door
- Door rests at 60°, 90°, 120°, 180°
- Stackable with MKFA 664 TS or MKFA 464 TS
- Adjustable feet
- Extended warranty options available

Conforms to the following standards:

- Standard safety UL 197-2014
- Sanitation NSF / ANSI 4-2014
- Sanitation NSF / ANSI 170-2010
- Sanitation NSF / ANSI 51-2012
- CSAC 22.2 No. 109-M1981



Tecnoeka, Inc.
3385 Denver Drive
Denver, North Carolina 28037

Web Site: www.tecnoeka.com
E-mail: info.usa@tecnoeka.com
Toll Free: 888-626-EKA1 (3521)



Printed in the U.S.A.
March 2021

MKFA 664 TS

DIMENSIONS NET AS SHIPPED

	NET	AS SHIPPED
Width	33.465 in	36 in
Depth	40.790 in	43 in
Height	35.240 in	41 in
Weight	237.6 lb	299.0 lb

UTILITY CONNECTIONS

All utility connections should be within three feet of the centerline of the back of the oven when installed.

Water supply: 1/2" cold-water supply (max 86°F) with supplied 1/2" NPT, 3/4" NPT or 3/4" GH/NHR connection.

Water pressure: Max supply pressure before regulator: 125psi. Pressure at oven water inlet: 15-30 psi (install kit contains one 30psi regulator).

Drain size should be a minimum of 1" diameter and

ELECTRICAL

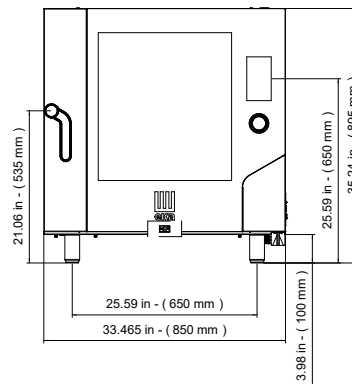
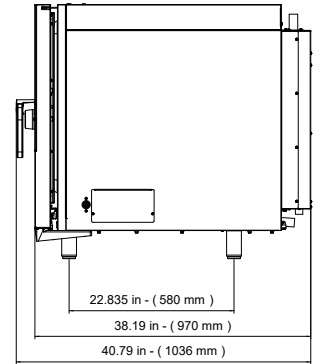
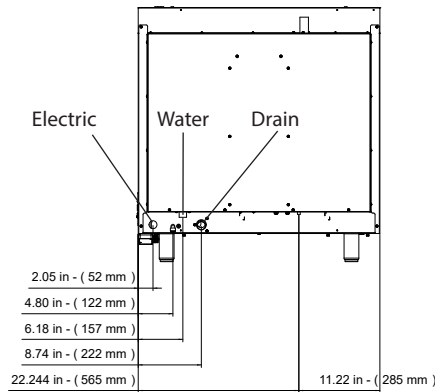
Power:	15.8-18.2 kw
Frequency:	60 Hz
Voltage (V):	AC 208/240v 3-phase
L1:	43 amps
L2:	42 amps
L3:	42 amps
Cable:	NOT SUPPLIED
Plug:	NOT SUPPLIED
Breaker size:	60 amp (recommended)

WATER QUALITY SPECIFICATIONS

Free Chlorine:	< 0.1	ppm
Hardness:	30-70	ppm
Chloride:	< 30	ppm
Total Dissolved Solids:	50-125	ppm
Silica:	< 12	ppm
pH:	7.0 - 8.5	
Chloramine:	< 0.1	ppm
Alkalinity:	< 150	ppm (CaCO ₃)

AVAILABLE OPTIONS AND ACCESSORIES

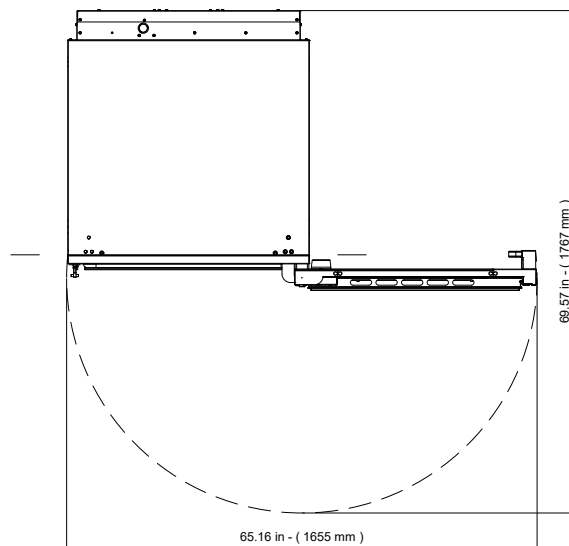
Table - standard height	MKTS 64
Floor stand / table for stacked ovens	MKT 64 D
Proofer / holding cabinet	MKLMA 664
4" Kit for mounting or stacking ovens	MKSA 64
7" Kit for mounting oven	MKST 664
Set of four (2 with brake) casters	MKKR
18" x 26" stainless-steel grid	EKGAFSX
Sous-vide cooking probe	MKSCSV
Detergent with rinse aid	MKDET
Spray kit with support and tube	EKKD



* Oven must be installed a minimum of 19.7" (500 mm) from any significant source of heat and/or grease (for example: fryers, burners, kettles, open flames, etc.)

Other surfaces must maintain a minimum of 3.94" (100mm) clearance.

Tecnoeka is not responsible for damage to the oven caused by any external heat source.



Tecnoeka, Inc.
3385 Denver Drive
Denver, North Carolina 28037

Web Site: www.tecnoeka.com
E-mail: info.usa@tecnoeka.com
Toll Free: 888-626-EKA1 (3521)



Printed in the U.S.A.
March 2021