

INDUCTION BASE DRYING RACKS



Smart•Therm & Turbo•Temp Induction Bases
(See Spec Sheets 149 & 158)



Power•Therm Bases
(See Spec Sheet 112)

Application

Dinex® Induction Base Drying and Storage Rack is designed to efficiently dry, store and transport your Smart•Therm STSII, Turbo•Temp or Power•Therm Induction Bases. These drying and storage carts include individual cradles.

Construction

The frame and cross supports are constructed of 1" (3cm) square stainless steel tubing. The all welded frame requires no assembly. The stainless steel slides are fully welded to the frame.

Casters: 5" (13cm) diameter swivel stem casters 2 with brakes.

Item Numbers

For Smart•Therm STSII & Turbo•Temp Bases

- DXIBDRS90
- DXIBDRS180
- DXIBDRS270

Cradle

- DX10251

For Power•Therm Bases

- DXIBDRP100
- DXIBDRP200
- DXIBDRP300

Cradle

- DX0114950

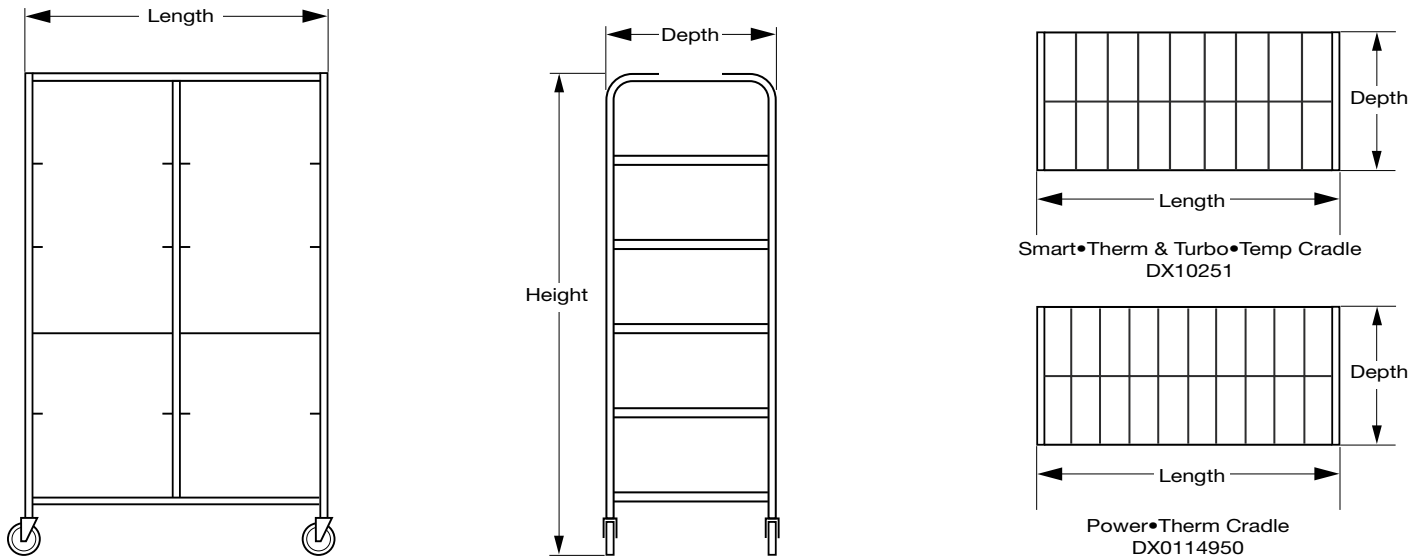
Warranty

One year parts and labor.

DINEX®

Building 2, Suite 106
628 Hebron Avenue
Glastonbury, CT 06033
800.523.9752 Fax: 860.652.3135
www.dinex.com

INDUCTION BASE DRYING RACKS



Items and Dimensions

SMART•THERM & TURBO•TEMP RACK	MODEL NUMBER	LENGTH	DEPTH	HEIGHT	SHIP CUBE	SHIP WEIGHT	CAPACITY
DXIBDRS90	IBDRS/90	20.50" (52cm)	22" (56cm)	78" (198cm)	21.7	158 lb. (71.7kg)	90
DXIBDRS180	IBDRS/180	40" (102cm)	22" (56cm)	78" (198cm)	39.0	228 lb. (103.4kg)	180
DXIBDRS270	IBDRS/270	59.50" (151cm)	22" (56cm)	78" (198cm)	59.0	285 lb. (129.4kg)	270
DX10251 (Cradle)	10251	17.75" (45cm)	18" (46cm)	6" (15cm)	-	-	18 bases (per cradle)

POWER•THERM RACK	MODEL NUMBER	LENGTH	DEPTH	HEIGHT	SHIP CUBE	SHIP WEIGHT	CAPACITY
DXIBDRP100	IBDRP/100	20.50" (52cm)	22" (56cm)	78" (198cm)	21.7	160 lb. (72.6kg)	100
DXIBDRP200	IBDRP/200	40" (102cm)	22" (56cm)	78" (198cm)	39	235 lb. (106.6kg)	200
DXIBDRP300	IBDRP/300	59.50" (151cm)	22" (56cm)	78" (198cm)	59	290 lb. (131.7kg)	300
DX0114950 (Cradle)	0114950	17.75" (45cm)	18" (46cm)	6" (15cm)	-	-	20 bases (per cradle)



Please confirm that you have the most current specification sheet by visiting www.dinex.com.
 Dinex® reserves the right to change specifications and product design without notice.
 Such revisions do not entitle the buyer to corresponding changes, improvements, additions or replacements for previously purchased equipment.



Building 2, Suite 106
 628 Hebron Avenue
 Glastonbury, CT 06033
 800.523.9752 Fax: 860.652.3135
www.dinex.com