



Equipment Stands

Stainless Steel Equipment Stands



Use your smart phone to scan the above QR code to visit our website:
www.bk-resources.com

Certifications:



Features:

- Top Reinforced with 1 1/2" Square Tubing
- 3 Sided 2" Riser w/ Hemmed Edge
- Adjustable Undershelf
- Work Surface Height 24"
- Evenly Distributed Static Load of 2,000 lbs.

Options:

- Casters
- Upgraded Bullet Feet
- Extra Shelves

Material:

SVET Series: S/S w/ Stainless Steel Legs & Undershelf

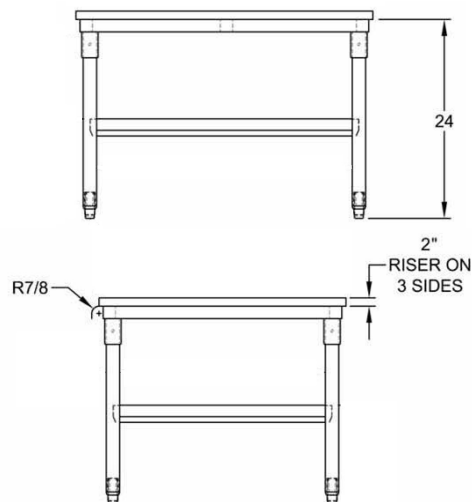
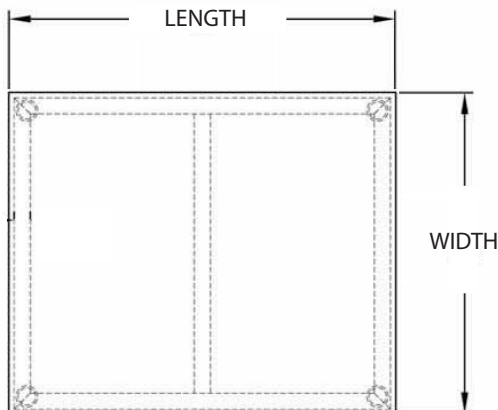
- T-430 18 ga. Stainless Steel Top
- Stainless Steel Legs & Adjustable Undershelf with Cast Aluminum Corners
- Metal Over Plastic Bullet Feet

VETS Series: S/S w/ Galvanized Legs & Undershelf

- T-430 18 ga. Stainless Steel Top
- Galvanized Legs & Adjustable Undershelf with Cast Aluminum Corners
- Metal Over Plastic Bullet Feet

| SVET Series | | |
|------------------------------|------------------------|-------------------------|
| S/S w/ S/S Legs & Undershelf | | |
| Length | T-430 S/S 30" Width | Product Weight (lbs) |
| 16" | SVET-1530 | 36.00 |
| 19" | SVET-1830 | 41.00 |
| 25" | SVET-2430 | 48.00 |
| 37" | SVET-3630 | 64.00 |
| 49" | SVET-4830 | 78.00 |
| 61" | SVET-6030 | 91.00 |
| 73" | SVET-7230 | 105.00 |
| | SVET-7230-6 | 110.00 |

| VETS Series | | |
|--------------------------------|-----------------------|-------------------------|
| S/S w/ Galv. Legs & Undershelf | | |
| T-430 S/S 30" Width | # of Legs Included | Product Weight (lbs) |
| VETS-1530 | 4 | 38.00 |
| VETS-1830 | 4 | 41.00 |
| VETS-2430 | 4 | 48.50 |
| VETS-3630 | 4 | 64.00 |
| VETS-4830 | 4 | 69.00 |
| VETS-6030 | 4 | 91.00 |
| VETS-7230 | 4 | 105.00 |
| VETS-7230-6 | 6 | 110.00 |



PRODUCT DATA SHEET

BK RESOURCES

