

Blueair by BLUENIX

MODEL BLUI-150A ICE MACHINE UNDERCOUNTER



Intertek



**Produces up to
133 lbs of ice daily**
Units produce individual crescent ice cubes.



**Durable stainless steel
cabinet and evaporator**
with removable air filter.



Easy cleaning system
How to disassemble for cleaning
follow this youtube link:
<https://www.youtube.com/watch?v=HlkQ6RK87Nc>



Digital Self Diagnostic System
Power switch is accessible without
panel removal

**3 YEAR
WARRANTY**

PARTS & LABOR

**5 YEAR
WARRANTY**

COMPRESSOR & EVAPORATOR

Valid in the Continental United States

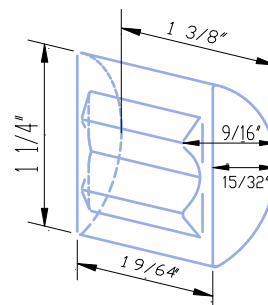
Service

- Panels easily removed and all components accessible for service
- Removable/cleanable air filters
- Allow 6" (15 cm) clearance at rear, sides, and top for proper air circulation and ease of maintenance/service

Plumbing

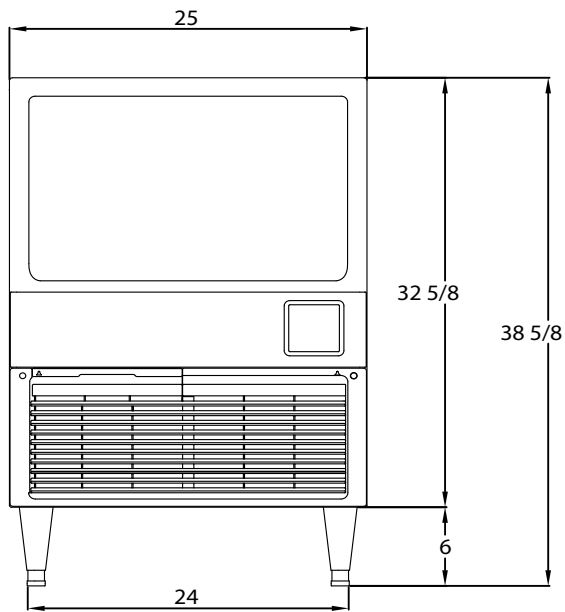
- Icemaker Water Supply Line: Minimum 3/8" Nominal ID Copper Water Tubing or Equivalent
- Icemaker Drain Line: Minimum 3/4" Nominal ID Hard Pipe or Equivalent

Cube Dimensions

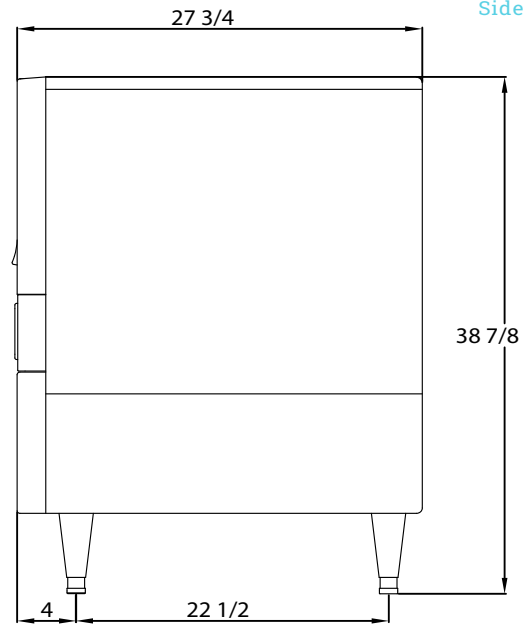


Approximate Size in inches,
image not to scale.

Front view

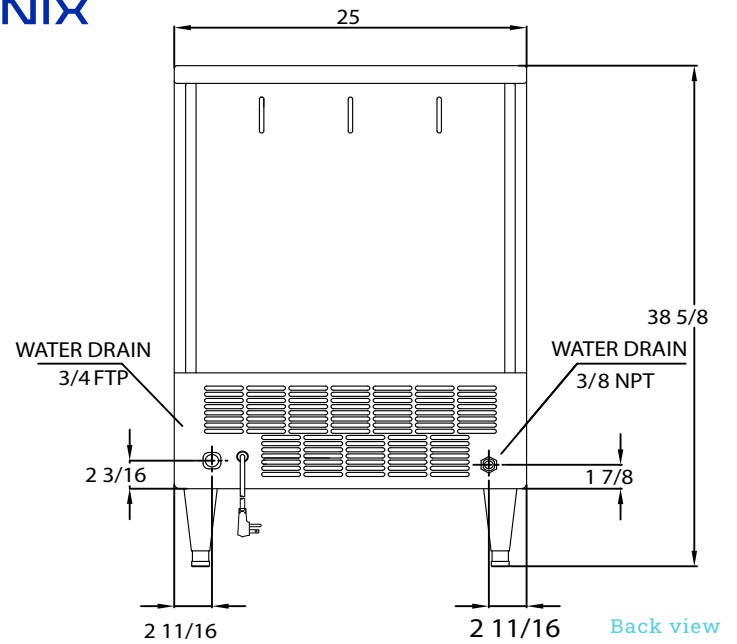
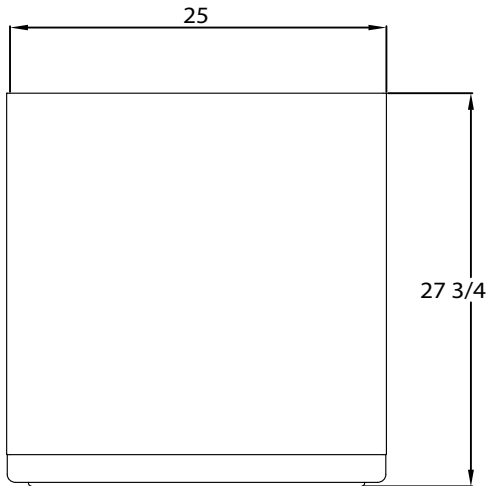


Side view



Blueair by
BLUENIX

Top view



Back view

Ice Production

| Air / Water Temp Lbs. per 24 hrs | | Per Cycle | |
|-------------------------------------|----------|-----------|-------|
| 70°/50°F | 90°/70°F | Lbs | Cubes |
| 133lbs | 109lbs | 2.77lbs | 130 |

Air 90°F / Water 70°F

| | |
|---------------------|-----------------------------------|
| KWH per 100 lbs. | Portable Water Gal. per 100lbs |
| 9.1 kWh | 22.2 gal |

| | |
|--------------------|-----------------|
| Condenser | Air-Cooled |
| Amperage | 7.0A |
| Voltage V/HZ/PH | 115V/60/1 |
| Shipping Weight | 158 lbs / 71 kg |
| Refrigerant | R-134A |
| Ice storage | 88lbs |

Operating Limits

- Ambient Temp Range: 45 - 100° F
- Water Temp Range: 45 - 90° F
- Water Pressure: 10 - 100 PSIG
- Voltage Range: 100 - 130V

BLUE AIR has right to change specifications without further notice.



This product may expose you to chemicals including Diisononyl Phthalate(DINP), which is known to the State of California to cause cancer. For more information go to www.P65Warnings.ca.gov.



blueairfse.com



orders@blueairfse.com



1.886.677.8500



223 W. Rosecrans Ave., CA 90248
T: 310.808.0102

9W. Shelton Terrace #A, Hillside, NJ 07205
T: 908-688-0970