

## "4BU4R5" BEVERAGE UNIT

### 14GA Top w/Trash Chute

#### FEATURES:

- Top: 14GA Type 300 Stainless Steel Top
- 5" Backplash Top With 1-1/2" Stallion Edge On Front And 90 Degree Bend Down Side Edge For Table Line-Up
- Top Is Sound Deadened Reinforced With 2"X3" Channel Running Entire Length Of Top
- 18GA Type 400 Stainless Steel Base
- Front Hinged Doors
- Stainless Steel Legs And Adjustable Feet
- 6" Diameter Trash Cute
- Accommodates 16 Gal Slim Jim Trash Can. Not Included Clear Dimensions 15" W X 25-3/4" H
- Overall Height 40-3/4"
- Shipped Standard Welded Set-Up

#### SPECIFICATIONS:

- Top: Stainless Steel Cabinet Tops TIG Welded, Exposed Welds Are Polished To Match Adjacent Surface #4 Polished, Satin Finish
- Removable Stainless Steel Legs
- Hinged Doors Are Constructed As Double Panel Doors
- Top: 14GA Type 300 Stainless Steel With #4 Polish, Satin Finish
- Body: 18GA Type 400 Stainless Steel
- Legs: Stainless Steel With Adjustable Feet

#### CERTIFICATIONS:

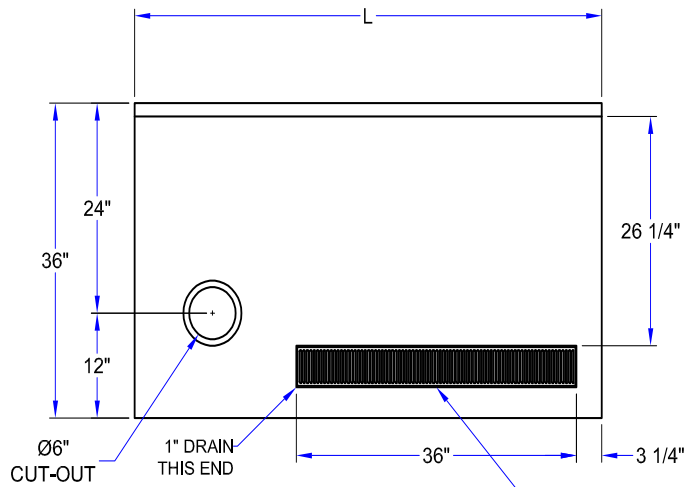


## "4BU4R5" BEVERAGE UNIT

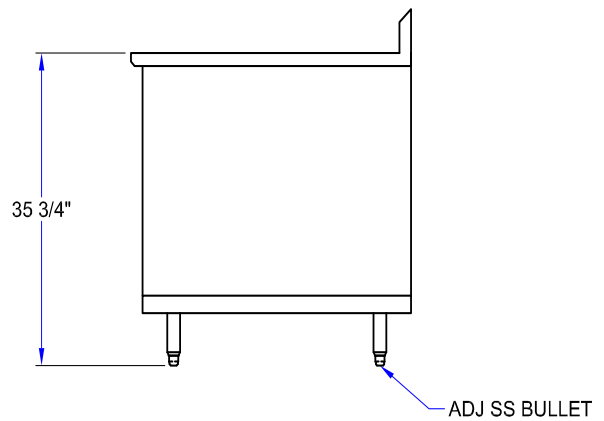
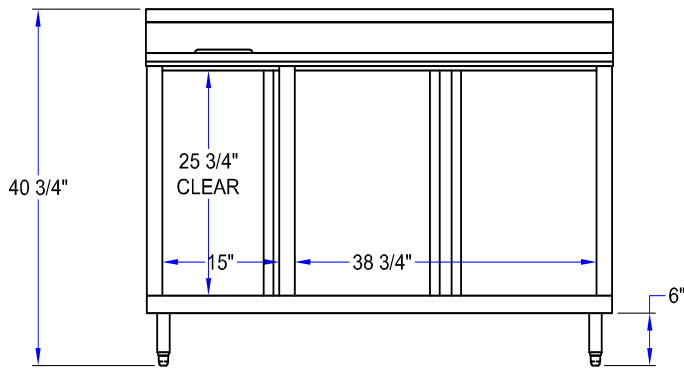
MODEL	SIZE (L X W X H)	TRASH CHUTE LOCATION	WEIGHT (LBS)
4BU4R5-3648-L	48"x36"x35-3/4"	Left Side	219
4BU4R5-3648-R	48"x36"x35-3/4"	Right Side	219
4BU4R5-3660-L	60"x36"x35-3/4"	Left Side	251
4BU4R5-3660-R	60"x36"x35-3/4"	Right Side	251
4BU4R5-3672-L	72"x36"x35-3/4"	Left Side	296
4BU4R5-3672-R	72"x36"x35-3/4"	Right Side	296

ALL DIMENSIONS ARE TYPICAL. TOLERANCE +/- .500". JOHN BOOS & CO. RESERVES THE RIGHT TO CHANGE SPECIFICATIONS WITHOUT NOTICE.

# DETAILED SPECIFICATIONS



\*\*\*SHOWN WITH OPTIONAL URN TROUGH\*\*\*  
NOT INCLUDED AS STANDARD



## "4BU4R5" BEVERAGE UNIT

MODEL	SIZE (L X W X H)	TRASH CHUTE LOCATION	WEIGHT (LBS)
4BU4R5-3648-L	48"x36"x35-3/4"	Left Side	219
4BU4R5-3648-R	48"x36"x35-3/4"	Right Side	219
4BU4R5-3660-L	60"x36"x35-3/4"	Left Side	251
4BU4R5-3660-R	60"x36"x35-3/4"	Right Side	251
4BU4R5-3672-L	72"x36"x35-3/4"	Left Side	296
4BU4R5-3672-R	72"x36"x35-3/4"	Right Side	296

ALL DIMENSIONS ARE TYPICAL. TOLERANCE +/- .500". JOHN BOOS & CO. RESERVES THE RIGHT TO CHANGE SPECIFICATIONS WITHOUT NOTICE.