



# G4 OMEGA 3.0 GALLON/6.0 GALLON COFFEE BREWING SYSTEMS

Single: OMGS (220 VAC)  
OMGS16 (220 VAC)  
Twin: OMGT (208 VAC)  
OMGT10 (240 VAC)  
OMGT16 (208 VAC)

ITEM NO

PROJECT

DATE

## FEATURES AT A GLANCE

- **High Volume Brewing** – OMGT/OMGT10/OMGT16 brews 36 gallons of coffee per hour. OMGS/OMGS16 brews 25 gallons of coffee per hour.
- **High Volume Tank Capacity** – 6.5 gallons (Single), 14.5 gallons (Twin).
- **G4 Digital Control Board** – Password protected, precise control over all aspects of brewing, including pre-infusion, pulse-brew and volume control.
- **Built-In Self Diagnostic System** – Alerts operator of system failure and machine preventive maintenance.
- **On-Screen Instructions** – Easy to read and follow instructions on display for fast, intuitive operation and training.
- **High-Volume Hot Water Faucet** – For instant beverages and other hot water needs. Dispenses 1.3 gpm.
- **High Volume Brew Basket** – Can accommodate up to 28 oz of coffee grounds.
- **USB Functionality** – USB port makes changes to program settings simple and efficient.
- **Energy Saving Mode** – Easily customized setting reduces tank temperature during idle times.
- **Pre-Set, One-Touch Global Recipes** – Based on coffee type, grind and weight to produce a gourmet coffee profile out-of-the-box.
- **Electrical Conversion** – All Omega® units ship standard from the factory as 3-Phase. All units easily convert from three phase to single phase in the field.



**OMGS/OMGS16**  
Single Coffee  
Brewer With One  
TXSG0301S200  
3.0 Gallon Dispenser  
(Sold Separately)

**OMGT/OMGT10/  
OMGT16**  
Twin Coffee Brewer With Two  
TXSG0301S200 3.0 Gallon  
Dispensers  
(Sold Separately)

## Where High Volume Meets Precision Brewing.

The Omega® high volume coffee brewing system is designed to optimize coffee quality while reducing maintenance and service. On-board self-diagnostics continually sense proper brewing operations and displays a message to alert the operator if an action is required or preventative maintenance is needed.

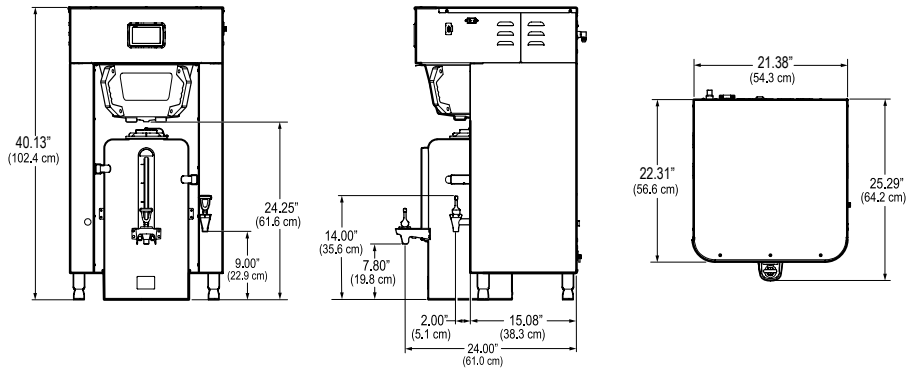
Curtis Omega® systems are factory set for out-of-the-box operation with pre-programmed recipes that ensure a consistent brew, every time. And, with intuitive, scroll-through menus, it is easy to fine-tune the brewing parameters for your gourmet coffee profile.

## VACUUM DISPENSERS

- **TXSG0301S200 3.0 Gallon Dispensers** – Proprietary vacuum construction dispensers provide the best heat retention in their class.

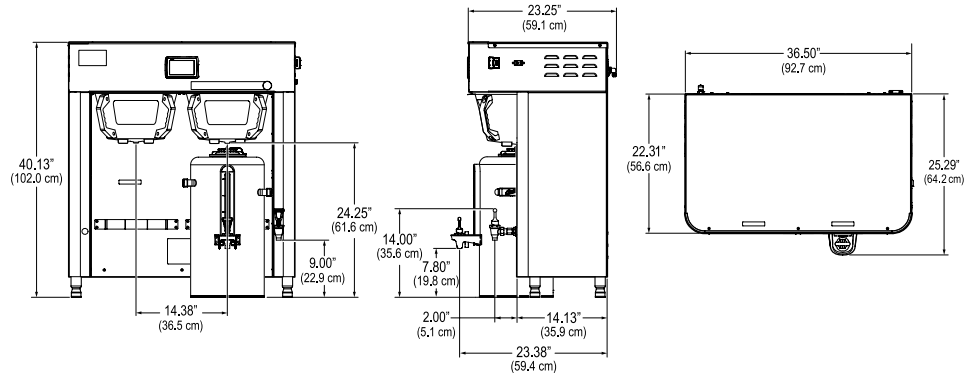
# OMGS/OMGS16

Single Coffee Brewer



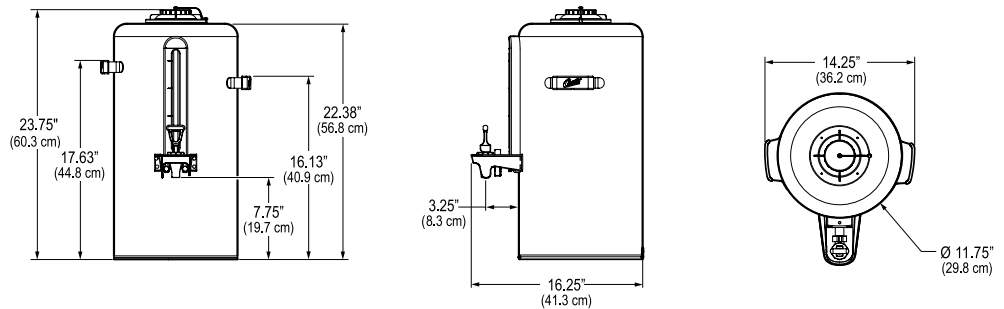
# OMGT/OMGT10/ OMGT16

Twin Coffee Brewer



# TXSG0301S200

3.0 Gal. Dispenser



## SINGLE AND TWIN HIGH VOLUME COFFEE BREWERS

MODEL	DIMENSIONS (H x W x D)	PHASE (PH)	HEATER CONFIG	VOLTAGE (V)	WIRE	kW	AMPS (A)	MINIMUM FLOW RATE	WATER CONNECTION	SHIP WEIGHT (LBS.)	CUBE (CU. FT.)
OMGS*	40.13" x 21.38" x 22.31"	3	3 X 2.5 kW	220	4+G	7.6	19.9	4.0 GPM	3/8" FLARE	90.0	12.0
		1**	2 X 2.5 kW	220	3+G	5.1	23.2	4.0 GPM	3/8" FLARE	90.0	12.0
OMGS16*	40.13" x 21.38" x 22.31"	3	3 X 2.5 kW	220	3+G	7.6	19.9	4.0 GPM	3/8" FLARE	90.0	12.0
		1**	2 X 2.5 kW	220	2+G	5.1	23.2	4.0 GPM	3/8" FLARE	90.0	12.0
OMGT*	40.13" x 36.50" x 22.31"	3	3 X 4.0 kW	208	4+G	12.2	34.0	4.0 GPM	3/8" FLARE	160.0	26.9
		1**	2 X 4.0 kW	208	3+G	8.2	39.4	4.0 GPM	3/8" FLARE	160.0	26.9
OMGT10*	40.13" x 36.50" x 22.31"	3	3 X 4.0 kW	240	4+G	15.0	36.1	4.0 GPM	3/8" FLARE	160.0	26.9
		1**	2 X 4.0 kW	240	3+G	10.0	41.6	4.0 GPM	3/8" FLARE	160.0	26.9
OMGT16*	40.13" x 36.50" x 22.31"	3	3 X 4.0 kW	208	3+G	8.2	34.0	4.0 GPM	3/8" FLARE	160.0	26.9
		1**	2 X 4.0 kW	208	2+G	12.2	39.4	4.0 GPM	3/8" FLARE	160.0	26.9

## 3.0 GALLON DISPENSER

MODEL	DIMENSIONS (H x W x D)	CAPACITY (Gallons)	SHIP WEIGHT (LBS.)	CUBE (CU. FT.)
TXSG0301S200	23.75" x 14.25" x 16.25"	3.0	29	5.34

\* Ships from factory standard 3-Phase  
\*\* Field convertible to single phase

SPECIFICATIONS SUBJECT TO CHANGE WITHOUT NOTICE.

**Curtis** WILBUR CURTIS COMPANY, INC.  
6913 Acco Street, Montebello, CA 90640-5403  
Telephone: 800-421-6150 • 323-837-2300  
Technical Support: 800-995-0417 M-F 5:30am-4:00pm PST  
Fax: 323-837-2406  
www.wilburcurtis.com

