

Fact Sheet

XC II 100 Pro

BIZERBA

Modern PC technology in a compact design is what the X-Class II Pro series stands for. Benefit from an integrated 3-in-1 printer. This device allows convenient, intuitive and fast operation via touchscreen. Enjoy more performance due to a large RAM. All models are provided with a powerful Intel® Quad Core processor. Ideally suitable for new features or individual requirements.



More information
High performance
with a wide range of
solutions and options.

Specifications	Facts	Details
Color	Anthracite gray	RAL 7016
Operator display	10.1" touch TFT	Resolution: 1,024 x 600 (WSVGA) LED backlit Resistive 5-wire touch technology Infinitely inclinable: adjustable viewing angle
Customer display	No customer display 7" TFT 10.1" TFT	Labeling solution Resolution: 800 x 480 LED backlit Resolution: 1,024 x 600 (WSVGA) LED backlit
Operating system	Windows 10 IoT Enterprise 2016 LTSC BizLPOS3 OpenSuse® ≥ 42.1 Leap Kernel 4.2	64 bit Windows 64 bit Linux
Application software	RetailPowerScale RIK (RetailIntegratorsKit)	Bizerba scale software, compatible with Retail-Framework products 3rd-party software
Processor	Intel® Celeron® Processor N3160 Quad Core	Clock rate of up to 2.24 GHz L2 cache: 2 MB Instruction set: 64 bit Integrated graphics card: Intel® HD Graphics 400
Working memory	DDR3L	4 GB RAM
Mass memory	SSD	60 GB, optionally 120 GB
Printer	3-in-1: Receipt, linerless or label	Optionally 2" or 3" up to 3"/76 mm paper width Clamshell design for easy paper role changing Print speed of up to 100 mm/s
External additional printer	Usage of the Bizerba power supply unit RSP 28 allows to use the following printers of the K-Flex series as external additional printer.	KF 3" receipt / linerless printer KF 3" label printer KF 2" L Compact receipt / linerless printer

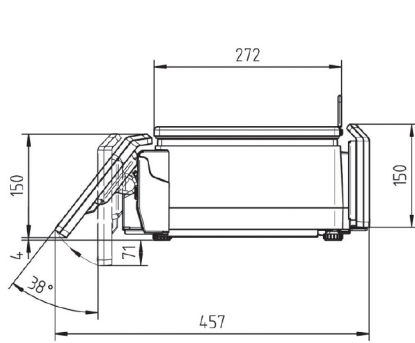
Interfaces	2 x USB 3.0 2 x USB 2.0 2 x COM LAN Audio output Cash register drawer connection (COM)	Super speed High speed DSUB, RS232 RJ45, GBit LAN 3.5 mm jack RJ12
Weighing ranges	3/6 kg 6/15 kg	Interval 1/2 g, min. 20 g Interval 2/5 g, min. 40 g
Temperature range	-10 °C to +40 °C	
Power consumption	In stand-by 2.4 W During operation typically 20.3 W	Energy saving thanks to use of Wake on LAN
Net weight of device	XC II 100 Pro Approx. 10 kg	

Options	Facts	Details
Software extensions	RetailApps Software modules: Cash register, scanning, e-cash, inventory, delivery note, proof of origin, time registration, video journal, Retail-Connect	Extra software function per RetailApps Extra software functions per module
Easy Level	Tilt compensation	Automatic correction of incorrect weight values due to angled position of the scale
WLAN module	BWLC USB	Bizerba Wireless LAN Client 802.11 a/b/g max. 54 MBit/s USB WLAN stick, no floating sales mode possible 802.11 a/b/g/n max. 300 MBit/s

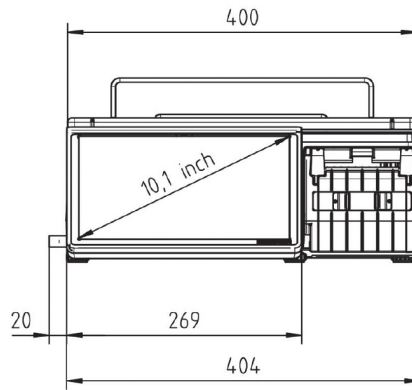
Info graphics



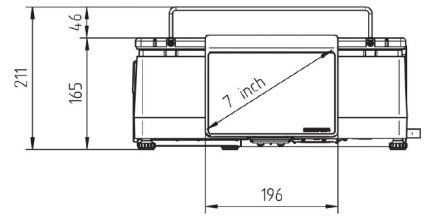
Dimensional drawings



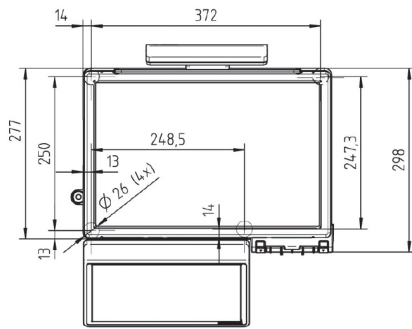
XC II 100 Pro side view



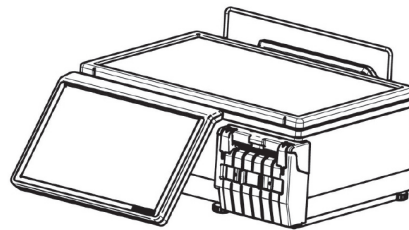
XC II 100 Pro operator side



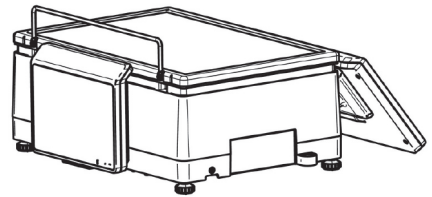
XC II 100 Pro customer side



XC II 100 Pro top view



XC II 100 Pro operator side



XC II 100 Pro customer side

Bizerba SE & Co. KG
 Wilhelm-Kraut-Straße 65
 72336 Balingen

T +49 7433 12-0
 fax: +49 7433 12-2696
 marketing@bizerba.com

www.bizerba.com