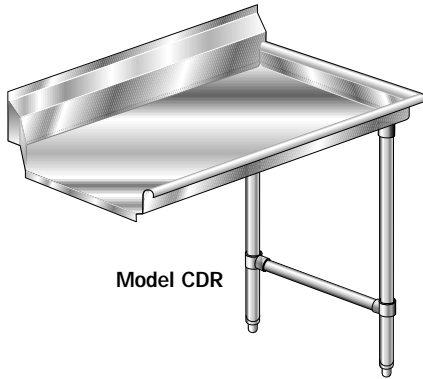
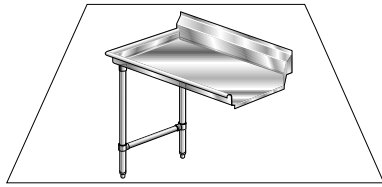




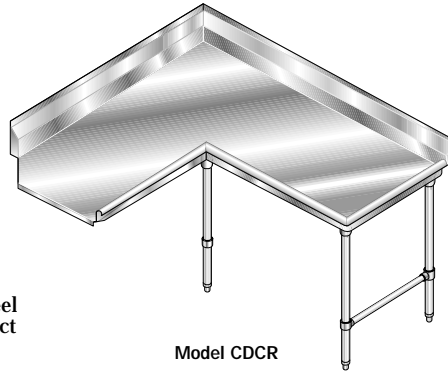
CLEAN, RIGHT HAND DISHTABLES

CDR/CDCR/CDIR/STB SERIES

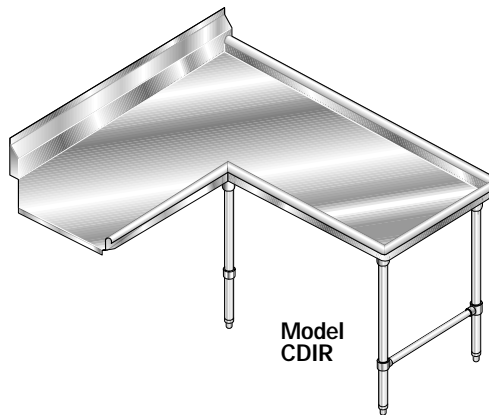
Item# _____ Project _____



Model CDR



Model CDCR



Model CDIR



Model 3STB

CLEAN, STRAIGHT DISHTABLES

Quantity	DELUX Model #	AEROSPEC Model #
_____	3CD-R-24	2CD-R-24
_____	3CD-R-30	2CD-R-30
_____	3CD-R-36	2CD-R-36
_____	3CD-R-48	2CD-R-48
_____	3CD-R-60	2CD-R-60
_____	3CD-R-72	2CD-R-72
_____	3CD-R-84	2CD-R-84
_____	3CD-R-96	2CD-R-96
_____	3CD-R-120	2CD-R-120
_____	3CD-R-144	2CD-R-144

CLEAN, CORNER DISHTABLES

_____	3CDC-R-48	2CDC-R-48
_____	3CDC-R-60	2CDC-R-60
_____	3CDC-R-72	2CDC-R-72
_____	3CDC-R-84	2CDC-R-84
_____	3CDC-R-96	2CDC-R-96
_____	3CDC-R-120	2CDC-R-120
_____	3CDC-R-144	2CDC-R-144

CLEAN, ISLAND DISHTABLES

_____	3CDI-R-48	2CDI-R-48
_____	3CDI-R-60	2CDI-R-60
_____	3CDI-R-72	2CDI-R-72
_____	3CDI-R-84	2CDI-R-84
_____	3CDI-R-96	2CDI-R-96
_____	3CDI-R-120	2CDI-R-120
_____	3CDI-R-144	2CDI-R-144

SORTING TABLE, WITH 7" SPLASH

_____	3STB-48
_____	3STB-60
_____	3STB-72
_____	3STB-84

MATERIAL DISHTABLE

- 3CD - 16 gauge 304 stainless steel.
- 2CD - 14 gauge 304 stainless steel.

LEGS

- 1 1/2" O.D. 16 gauge 304 series stainless steel tubing, complete with 1" adjustable, impact resistant, white metal feet.

CROSSBRACING

- 1 1/4" O.D. 16 gauge 304 series stainless steel crossbracing, 1 1/8" I.D. aluminum castings at all leg intersections

DESIGN FEATURES

- All dishtables have a 3/4" radius at all intersecting planes (consultant's spec).
- All dishtables fully cartoned.

EXCLUSIVE AERO SAFETY EDGE

- Table hemmed to eliminate cuts from rough edges.

CONSTRUCTION

- Plated gusset is machine welded 360 deg. to a stainless steel triangular plate.
- Gusset plate is fully welded directly underneath the sink for support.
- Polished to a #4 blended finish.

SORTING TABLE includes:

- 16 gauge 304 stainless steel top.
- 3" high rolled rim 3 sides with 7" backsplash.
- Stainless steel crossbraced legs 4 sides.

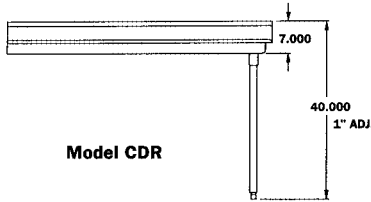
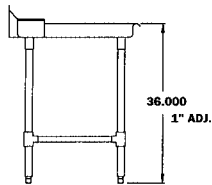
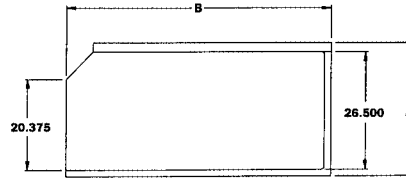
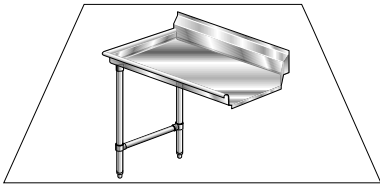
OPTIONS

- T-129 set of 4" HD Casters.
- D-1 3 1/2" drainhole.

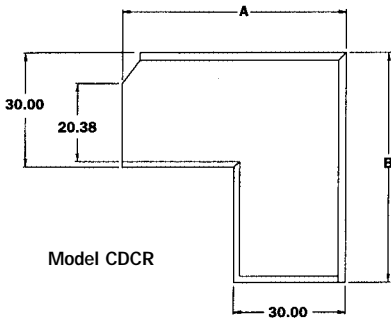
CUSTOM SIZES AVAILABLE • BUILT TO LAST A LIFETIME

email - sales@aeromfg.com

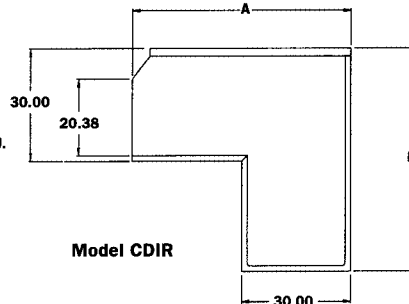
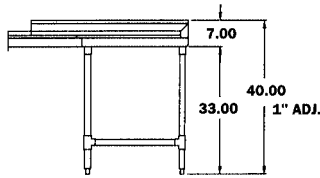
AERO MANUFACTURING COMPANY • 310 ALLWOOD ROAD, CLIFTON, NEW JERSEY 07012 • VOICE 973.473.5300 FAX 973.473.3794



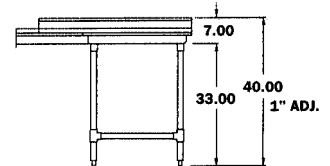
Model CDR



Model CDCR



Model CDIR



A Width	B Length	DELUX 16GA 304 Model #	AEROSPEC 14GA 304 Model #	Ship Weight	Cubic Feet
------------	-------------	------------------------------	---------------------------------	----------------	---------------

CLEAN, STRAIGHT DISHTABLES

30	24	3CD-R-24	2CD-R-24	40	8
30	30	3CD-R-30	2CD-R-30	46	10
30	36	3CD-R-36	2CD-R-36	51	12
30	48	3CD-R-48	2CD-R-48	61	15
30	60	3CD-R-60	2CD-R-60	71	19
30	72	3CD-R-72	2CD-R-72	85	22
30	84	3CD-R-84	2CD-R-84	100	26
30	96	3CD-R-96	2CD-R-96	105	28
30	120	3CD-R-120	2CD-R-120	115	31
30	144	3CD-R-144	2CD-R-144	125	35

CLEAN, CORNER DISHTABLES

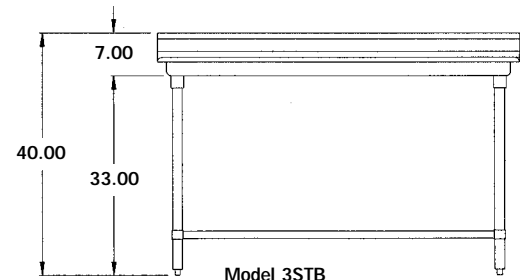
60	48	3CDC-R-48	2CDC-R-48	120	30
60	60	3CDC-R-60	2CDC-R-60	130	37
60	72	3CDC-R-72	2CDC-R-72	140	44
60	84	3CDC-R-84	2CDC-R-84	150	51
60	96	3CDC-R-96	2CDC-R-96	160	58
60	120	3CDC-R-120	2CDC-R-120	170	65
60	144	3CDC-R-144	2CDC-R-144	180	72

CLEAN, ISLAND DISHTABLES

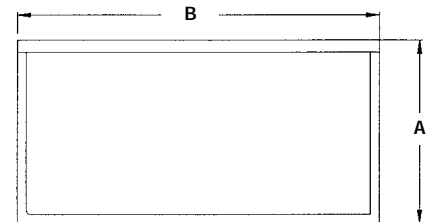
60	48	3CDI-R-48	2CDI-R-48	120	30
60	60	3CDI-R-60	2CDI-R-60	130	37
60	72	3CDI-R-72	2CDI-R-72	140	44
60	84	3CDI-R-84	2CDI-R-84	150	51
60	96	3CDI-R-96	2CDI-R-96	160	58
60	120	3CDI-R-120	2CDI-R-120	170	65
60	144	3CDI-R-144	2CDI-R-144	180	72

SORTING TABLE, WITH 10" SPLASH

30	51	3STB-48		69	12
30	63	3STB-60		84	15
30	75	3STB-72		91	18
30	87	3STB-84		99	21



Model 3STB



All dimensions are typical (tol. ±1/2"). • For Accessories and Options see pages DT-5A & DT-5B.

email - sales@aeromfg.com

AERO MANUFACTURING COMPANY • 310 ALLWOOD ROAD, CLIFTON, NEW JERSEY 07012 • VOICE 973473.5300 FAX 973.473.3794