

BTRS1-TC1

AUTO-RINSE™ CUBE BUNDLE

AUTO-RINSE™ (BTRS-1) + THE CUBE (TC1)



BTRS-1 FEATURES

- Stainless steel construction
- Quickly, thoroughly, and automatically rinses a pair of: mixing tins, mixing glasses, jiggers, Hawthorne strainers, wine portioning carafes, milk frothing pitchers, and more
- Warm-water rinse quickly dissolves sugars and other residues
- Disassembles for easy cleaning — all removable components can be placed on a single glass washer rack
- Does not require electricity
- Does not use chemicals
- NSF certified

BTRS-1 TECHNICAL SPECIFICATIONS

- Minimum water pressure requirement: 30 psi
- Self-metering valve: 1/2" NPSM inlet, 3/8" compression thread outlet
- Nozzles: solid-stream polypropylene
- Drain: oversized 1-1/2" drain fitting with strainer
- Backflow preventer: lead-free, dual-check valve
- Mixing valve: 3/8" compression threads. Check valve at inlets. Lever-dial adjustment with lock screw
- Materials: 18 ga. stainless steel. All plumbing components meet federal lead-free requirements and/or NSF standards
- Can rinse items up to 8" tall and 3.8" in diameter (standard mixing tins and mixing glasses)

TC1 FEATURES

- Stainless steel construction
- Brings top of Auto-Rinse™ to average bar height (41"-42")
- Compact footprint allows for versatile placement options, making installations and retrofits easy
- Convenient storage space holds 12-15 1L. bottles or other miscellaneous items (garnish picks, straws, beverage napkins, personal belongings, etc.)
- All plumbing hidden below deck
- Adjustable bullet feet with 1" range



PRODUCT NOTES (see pg. 2 for detailed diagrams)

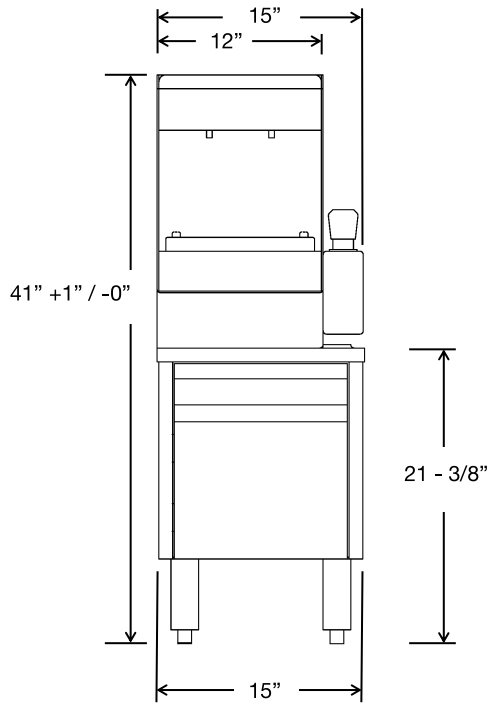
- Allow 4" on right side of valve mount box for servicing
- 1.5" PVC or copper drain line recommended. Bushing down to smaller sizes will accelerate clogging
- Caulk bead must be applied to create seal between mating surfaces of BTRS-1 and TC1
- BTRS-1 and TC1 ship in separate cartons

Omni-Rinse, LLC · 1258 Remington Road Suite A · Schaumburg, IL 60173 · O: 847.792.1177 · F: 630.339.9070 · www.OmniRinse.com

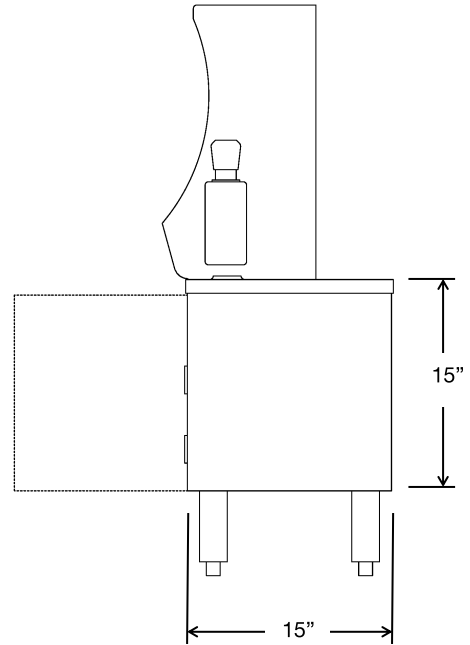
Specifications subject to change without notice

Form ID: TD-SS-BTRS1-TC1 Rev. 04.01.2019

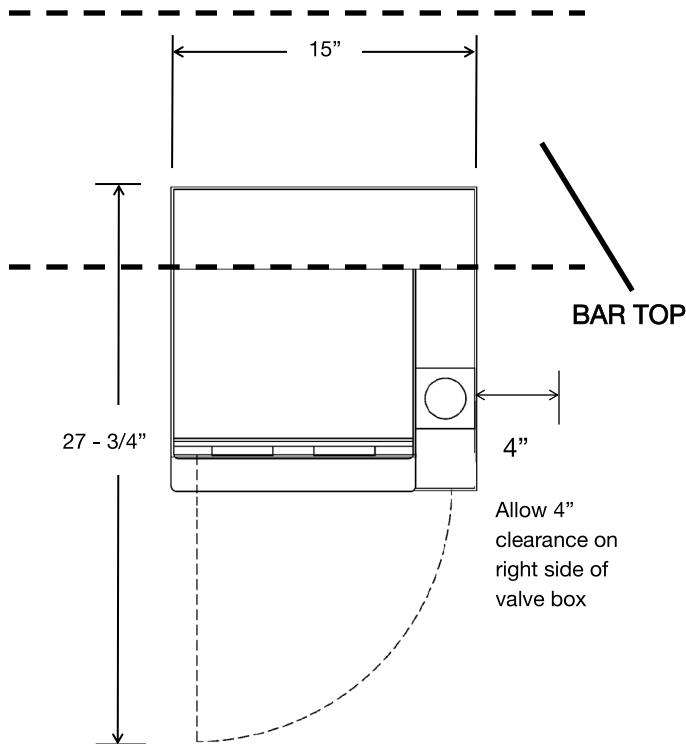
BTRS1-TC1 AUTO-RINSE™ (BTRS-1) + THE CUBE (TC1)



FRONT ELEVATION



SIDE ELEVATION



PLAN VIEW

