



**T&S BRASS AND BRONZE WORKS, INC.**  
 2 Saddleback Cove / P.O. Box 1088  
 Travelers Rest, SC 29690

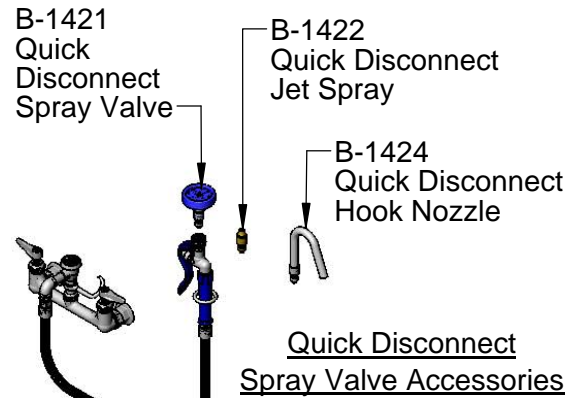
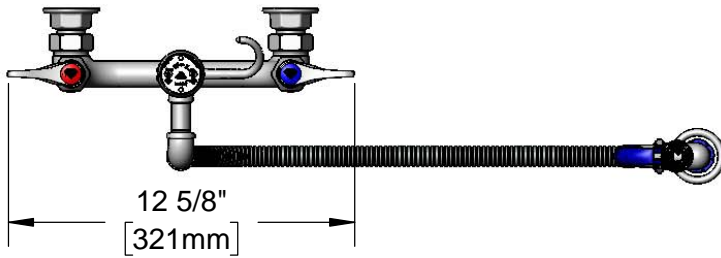
Model No.  
**B-2312**

Item No.

Travelers Rest, SC: 800-476-4103 • Simi Valley, CA: 800-423-0150 • Fax: 864-834-3518 • www.tsbrass.com

This Space for Architect/Engineer Approval

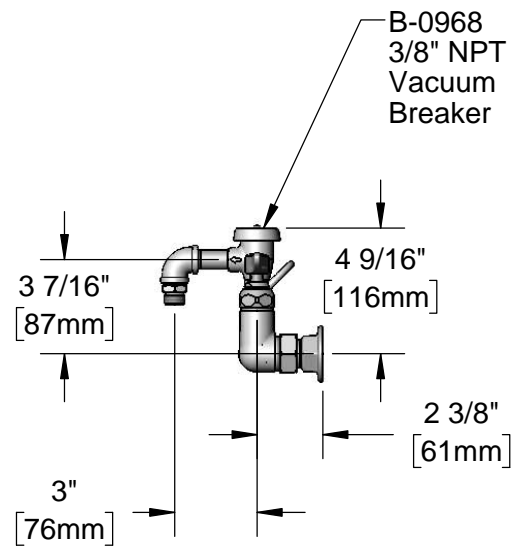
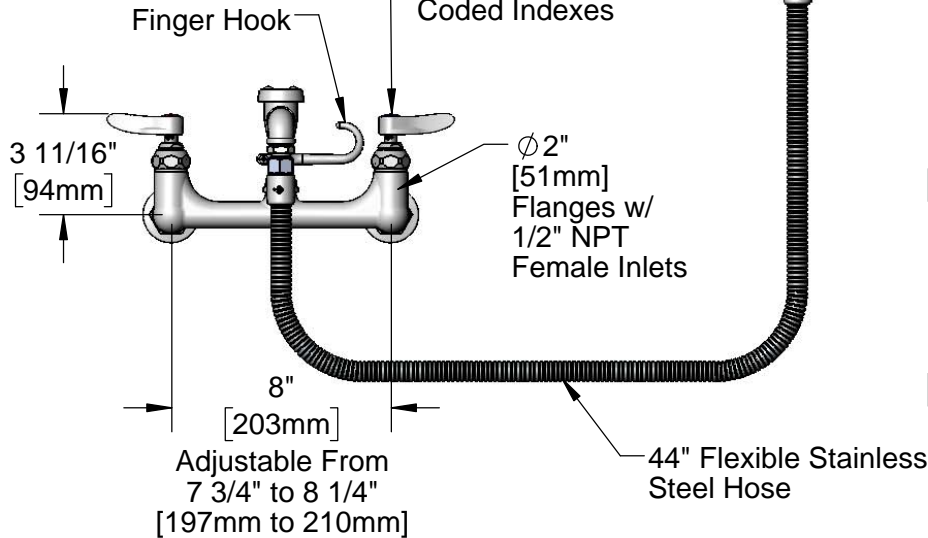
Job Name \_\_\_\_\_ Date \_\_\_\_\_  
 Model Specified \_\_\_\_\_ Quantity \_\_\_\_\_  
 Customer/Wholesaler \_\_\_\_\_  
 Contractor \_\_\_\_\_  
 Architect/Engineer \_\_\_\_\_



EB-1420  
 Quick Disconnect  
 Spray Valve

Quarter-Turn Eterna  
 Cartridges w/ Spring  
 Checks & Lever  
 Handles w/ Color  
 Coded Indexes

Quick Disconnect  
 Spray Valve Accessories



**Product Specifications:**

8" Wall Mount Mixing Faucet, Quarter-Turn Eterna Cartridges w/ Spring Checks, Lever Handles, 3/8" NPT Vacuum Breaker, 44" Flexible Stainless Steel Hose, Quick Disconnect Spray Valve w/ Blue Handle & Blue Quick Disconnect Spray Valve, Quick Disconnect Jet Spray, Quick Disconnect Hook Nozzle & 1/2" NPT Female Inlets

**Product Compliance:**

ASME A112.18.1 / CSA B125.1  
 NSF 61 - Section 9  
 NSF 372 (Low Lead Content)  
 ASSE 1001 (VB)  
 EPA Act 2005 Non-Compliant (PRSV)

# T&S BRASS AND BRONZE WORKS, INC.

2 Saddleback Cove / P.O. Box 1088  
Travelers Rest, SC 29690

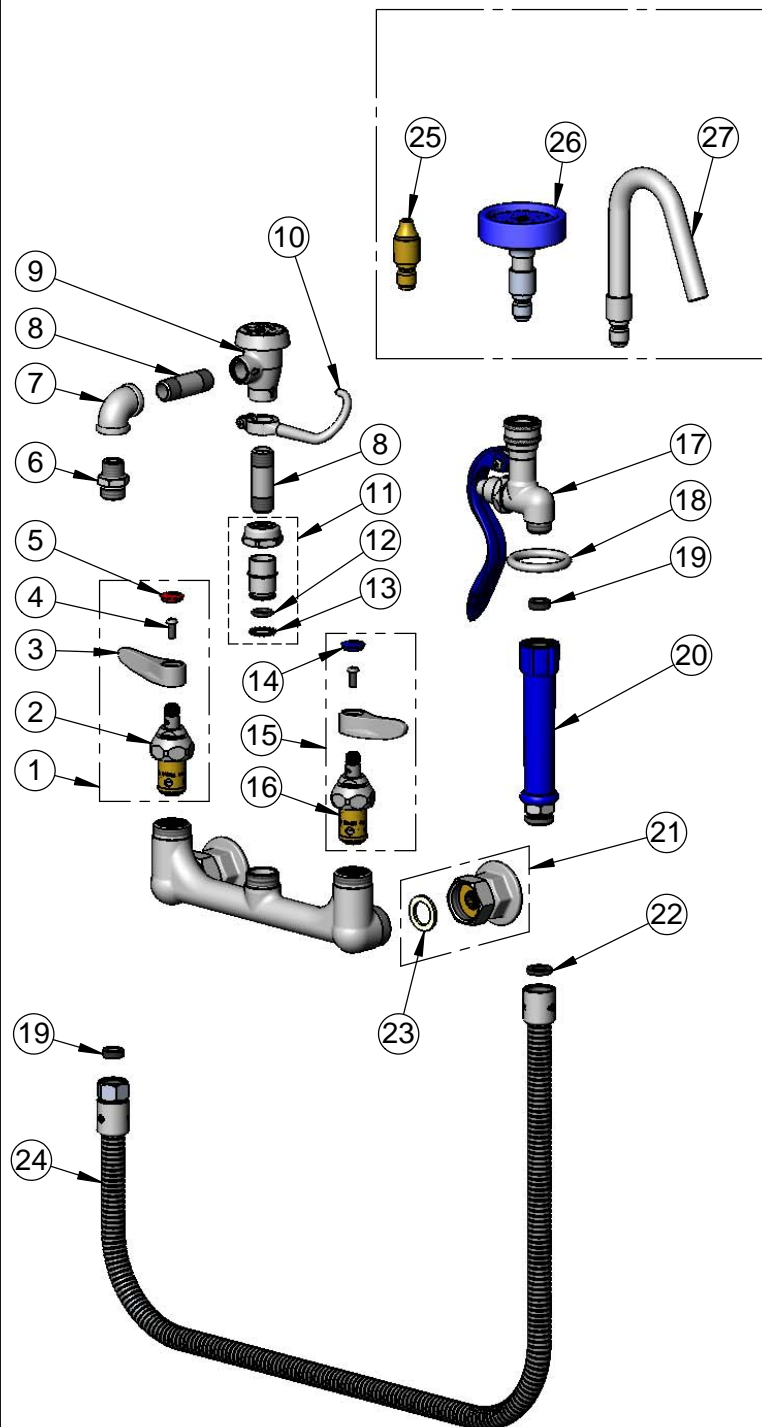
Model No.

**B-2312**

Item No.

Travelers Rest, SC: 800-476-4103 • Simi Valley, CA: 800-423-0150 • Fax: 864-834-3518 • www.tsbrass.com

ITEM NO.	SALES NO.	DESCRIPTION
1	002712-40NS	Quarter-Turn Eterna Cartridge w/ Spring Check, Handle, Red Index & Screw, RTC
2	012443-40NS	Quarter-Turn Eterna Cartridge w/ Spring Check, RTC
3	001638-45NS	Lever Handle (New Style)
4	000925-45	Lab Handle Screw
5	001193-19NS	Red Button Index, Press-in
6	053A	Adapter, 3/8" NPT Male
7	001355-40	Elbow, 3/8 NPT
8	000357-40	Nipple, 3/8" NPT x 2"
9	B-0968	3/8" NPT Vacuum Breaker
10	004R	Finger Hook
11	EZ-K	EasyInstall Kit
12	001065-45	O-Ring
13	014200-45	Star Washer, Anti-Rotation
14	018506-19NS	Blue Button Index, Press-in
15	002711-40NS	Quarter-Turn Eterna Cartridge w/ Spring Check, Handle, Blue Index & Screw, LTC
16	012442-40NS	Quarter-Turn Eterna Cartridge w/ Spring Check, LTC
17	EB-1420	Quick Disconnect Spray Valve
18	000907-45	Spray Valve Hold Down Ring
19	010476-45	#27 Washer
20	011482-40	Blue Grip Handle
21	00AA	1/2" NPT Female Eccentric Flange
22	001014-45	Washer, B-0100 Hose Barrel
23	001019-45	Coupling Nut Washer
24	B-0044-H2A	44" Flexible Stainless Steel Hose, Less Handle
25	B-1422	Straight Nozzle Jet
26	B-1421	Quick Disconnect High Flow Spray
27	B-1424	Quick Disconnect Hook Nozzle



**Product Specifications:**  
8" Wall Mount Mixing Faucet, Quarter-Turn Eterna Cartridges w/ Spring Checks, Lever Handles, 3/8" NPT Vacuum Breaker, 44" Flexible Stainless Steel Hose, Quick Disconnect Spray Valve w/ Blue Handle & Blue Quick Disconnect Spray Valve, Quick Disconnect Jet Spray, Quick Disconnect Hook Nozzle & 1/2" NPT Female Inlets

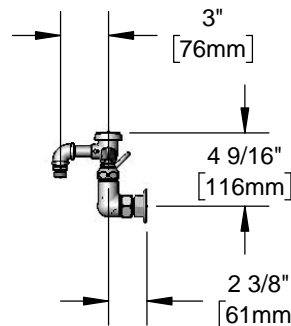
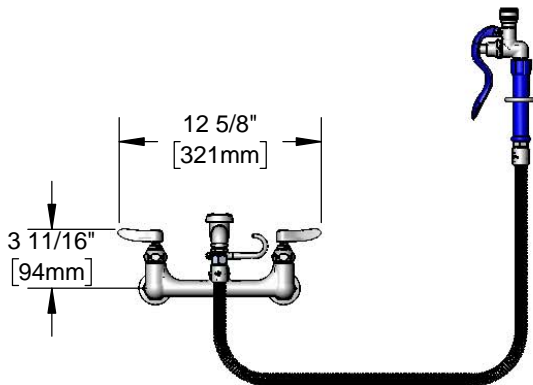
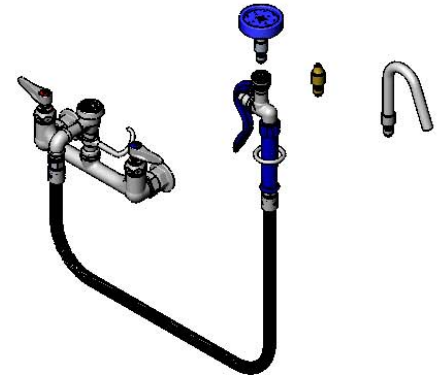
**Product Compliance:**  
ASME A112.18.1 / CSA B125.1  
NSF 61 - Section 9  
NSF 372 (Low Lead Content)  
ASSE 1001 (VB)  
EPA Act 2005 Non-Compliant (PRSV)



#### Architect/Engineering Specifications:

8" wall mount mixing faucet with polished chrome plated brass body, 44" flexible stainless steel hose with heat resistant handle, atmospheric vacuum breaker, spray valve with quick disconnect socket, quick disconnect jet spray and quick disconnect hook nozzle, compression cartridges with spring checks, lever handles and 1/2" NPT female inlets. Certified to ASME A112.18.1/CSA B125.1, NSF 61-Section 9, NSF 372 and ASSE 1001.

Job Name \_\_\_\_\_  
 Model Specified \_\_\_\_\_ Quantity \_\_\_\_\_  
 Variations Specified \_\_\_\_\_  
 Date \_\_\_\_\_



#### Features & Benefits:

- 8" wall mount mixing faucet w/ polished chrome plated brass body
- 3/8" NPT atmospheric vacuum breaker
- 44" flexible stainless steel hose w/ heat resistant blue handle and hold down ring
- Spray valve with quick disconnect socket
- Quick disconnect shower spray, jet spray and hook nozzle spray accessories spray heads
- Quarter-turn Eterna compression cartridges w/ spring checks to prevent cross flow of water
- Lever handles w/ color coded indexes
- 1/2" NPT female eccentric inlets with Ø 2" flanges
- Adjustable centers from 7 3/4" to 8 1/4"
- Material: Polished chrome plated brass body and spray valve body, chrome plated vacuum breaker, chrome plated metal handles and stainless steel hose

#### Product Compliance:

- ASME A112.18.1 / CSA B125.1
- NSF 61 - Section 9
- NSF 372 (Low Lead Content)
- ASSE 1001 (VB)
- EPAAct 2005 Non-Compliant (PRSV)



**Warranty:** One Year (Limited)

#### Performance Data:

- Pressure: 20 - 125 psi
- Temperature: 40°F - 140°F
- Flow Rate:
  - Shower Spray: 3.93 GPM @ 60 psi
  - Fan Jet Spray: 3.25 GPM @ 60 psi
  - Hook Nozzle: 2.71 GPM @ 60 psi



#### Optional Cartridges With Checks

- Quarter-Turn Cerama w/ Check Valve (Standard)
- Quarter-Turn Eterna w/ Spring Check

#### Optional Handles

- 4" Wrist Action
- Lever (Standard)
- 4-Arm

