



# Glass Rinsers Handsink w/ Die Wall & Base

## Stainless Steel Underbar Handsinks



Use your smart phone to scan the above QR code to visit our website:  
[www.bk-resources.com](http://www.bk-resources.com)

### Certifications:



### Features:

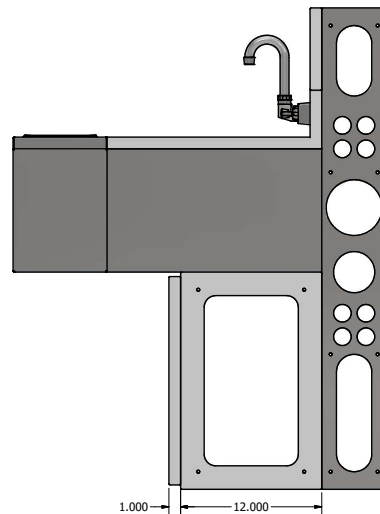
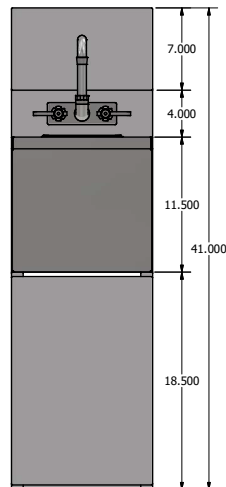
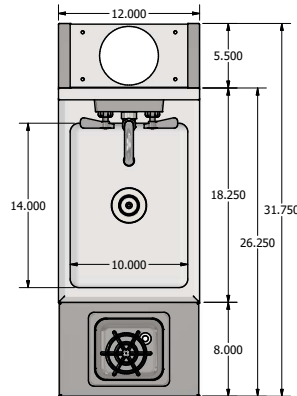
- T-304 18 ga Stainless Steel
- 18ga SS Front Panels w/ Galv Die Wall & Base
- Removable SS Front Panel on Base
- 28.5" Working Height / 34" Overall Height
- 10" Wide x 14" Front-To-Back x 6" Deep Bowl
- Splash Mount Lead-Free Faucet (BKF-W2-6-G)
- Push Down Glass Rinsers

### Material:

- T-304 Stainless Steel



Part Number	Unit Size (l x w)	Faucet (BKF-W2-6-G)	Gauge	Product Weight (lbs)
UBDW-18-SS12-GR-PG	12" x 31 <sup>3/4</sup> "	1	T-304	-



PRODUCT DATA SHEET

BK RESOURCES

