



# BEVERAGE-AIR®

Project: _____	AIA#
Item: _____	
Location: _____	SIS#
Approved: _____	

**PH2 P SERIES WARMING CABINET**

## P SERIES TOP MOUNT WARMING CABINET

### PH2 Solid Half-Door Warming Cabinet

**MODEL:**  
**PH2-1HS**



**7 Year Parts/Labor Warranty**

### CABINET CONSTRUCTION

- Exterior stainless steel front and side (galvanized top, back and bottom)
- Interior liner is made of corrosion resistant aluminum
- Stainless steel interior door liner
- Stainless steel breaker caps
- Full electronic control
- Operational indicator panel contains thermometer and adjustable thermostat control which is accurately calibrated from 80°F to 180°F
- Manually controlled humidity vents are provided in the top of the cabinet
- Self-closing doors with 120° hold open feature, with cam-lift hinges
- Heavy-duty cylinder locks and self-adjusting magnetic gasket
- Six (6) silver freeze shelves
- 6" Legs
- 8' Cord and plug (see electrical data for details)

### OPTIONS & ACCESSORIES

- Pan slides
- Stainless steel interior
- 3" or 6" Casters
- Left or right door hinge (at time of order)

### ELECTRICAL SYSTEM

- 20 AMP breaker required
- Strip type 750-watt heating elements, operating on 208-240/60/1, having a total of 1500 watts per compartment
- Externally mounted blower system maintains even temperature through out the food zone area



Please verify qualifying units by visiting:  
[www.energystar.gov/cfs](http://www.energystar.gov/cfs)

3779 Champion Blvd., Winston-Salem, NC 27105  
1-888-845-9800 Fax: 1-336-245-6453  
Beverage-Air.com Sales@bevair.com



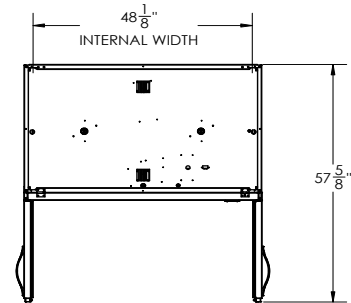
# BEVERAGE-AIR®

MODEL	PH2-1HS
<b>EXTERNAL DIMENSIONAL DATA</b>	
Width Overall	52 1/8"
Depth Overall with Handle	34 5/8"
Height Overall	84 1/8"
Number of Doors	4
Depth with Door Open 90°	57 5/8"
Door Openings (in)	21 1/2" x 24 3/4"
<b>INTERNAL DIMENSIONAL DATA</b>	
NET Capacity (cubic ft.)	43.3
Internal Width Overall (in)	48 1/8"
Internal Depth Overall (in)	26"
Internal Height Overall (in)	56 5/8"
Number of Shelves	6
<b>ELECTRICAL DATA</b>	
Amps	11.3/13.0
Cabinet Voltage	208-240/60/1
Total Wattage (Heaters & Fan @240V)	3000
<b>SHIPPING DATA</b>	
Gross Weight - Crated	460 lbs
Height - Crated	88"
Width - Crated	55"
Depth - Crated	39"

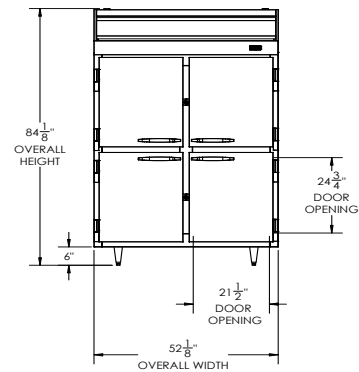
We reserve the right to change specifications and product design without notice. Such revisions do not entitle the buyer to corresponding changes, improvements, additions or replacements for previously purchased equipment. Dimensional tolerances +/- 1/4". Metric dimensions (MM).

## Top Mount Warming Cabinet Reach-In Model: PH2-1HS

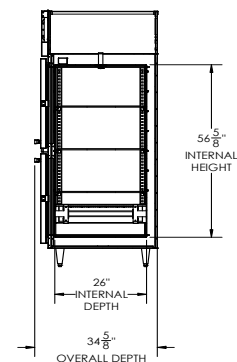
### Model Views



### PLAN VIEW



### ELEVATION VIEW



### SIDE VIEW



### ELECTRICAL CONNECTION



208-240/60/1  
NEMA 6-20P

Unit pre-wired at factory and include 8' long cord and plug set.