



Model: \_\_\_\_\_ Item #: \_\_\_\_\_ Date: \_\_\_\_\_  
 Project: \_\_\_\_\_ Qty: \_\_\_\_\_ Approved By: \_\_\_\_\_

# Drop-In Bar Top Drainer

Royal Series Underbar



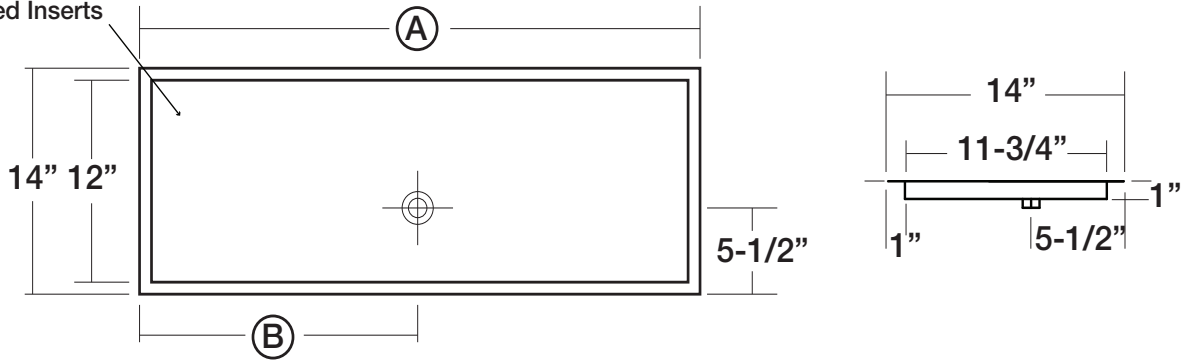
KR-D36 shown

## Standard Features

- 14" front to back depth
- Removable 20 gauge stainless steel perforated top
- 1-1/2" drain
- Perforated interior allows liquid to feed towards drain
- 20 gauge stainless steel pan



Removeable Perforated Inserts



Model	Depth Front to Back	Length (A)	Inside Dimensions	Left Side to Drain (B)	Cutout Size	Weight (lbs.)
KR-D24	14"	24"	11-3/4" x 21-3/4"	12"	12" x 22"	12
KR-D30	14"	30"	11-3/4" x 27-3/4"	15"	12" x 28"	14
KR-D36	14"	36"	11-3/4" x 33-3/4"	18"	12" x 34"	16

**Mechanical Requirements:** 1-1/2" IPS drain connection