



Your Solutions Partner

# Specifications

F.O.B. Sedalia, Missouri 65301



**TCS-30SS Shown with optional drawer**

### Agency Listings:



DUKE MANUFACTURING CO.  
2305 N. Broadway  
St. Louis, MO 63102  
800.735.3853 Toll Free  
314.231.5074 Fax  
www.dukemfg.com  
SS-1177 Thurmaduke - Cahsier Stand

**Approval Stamp(s):**

### PRODUCT INFORMATION:

PROJECT: \_\_\_\_\_

ITEM: \_\_\_\_\_

QUANTITY: \_\_\_\_\_

MODEL:

### Thurmaduke Serving Systems Cashier Stand

TCS-30

#### TOP:

- 16 gauge, 300 Series stainless steel
- Sound-deadening

#### BODY:

- Choice of (12) powder coat paint colors
- Stainless steel body
- NSF listed, 5" diameter polyurethane casters
- Operator's side open to foot rest
- End panels die-formed into channels
- End and side opposite operator fully enclosed
- Stainless steel tubular foot rest

#### OPTIONS:

- 14 gauge tops
- Internal locking devices
- Tray Slides
- Electric outlets
- 6', 8' or 10' cord and plug
- 6" adjustable stainless steel legs
- Stainless steel drawer with /without lock & keys
- Veneered plastic laminate panels on body
- Powder coat paint colors
- Grommeted top cutout
- Interior shelf
- Kickplates s/s or p/g

Specification subject to change

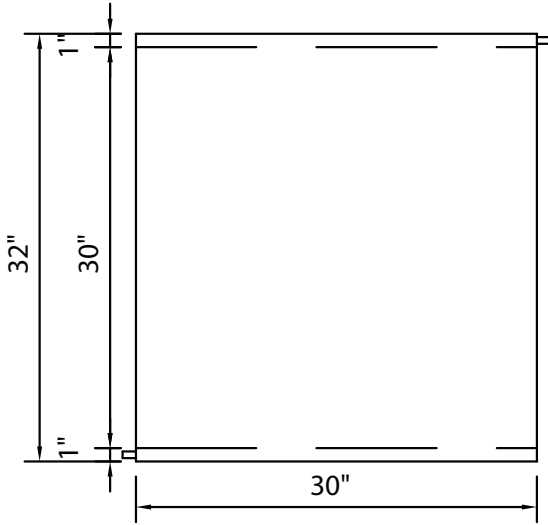




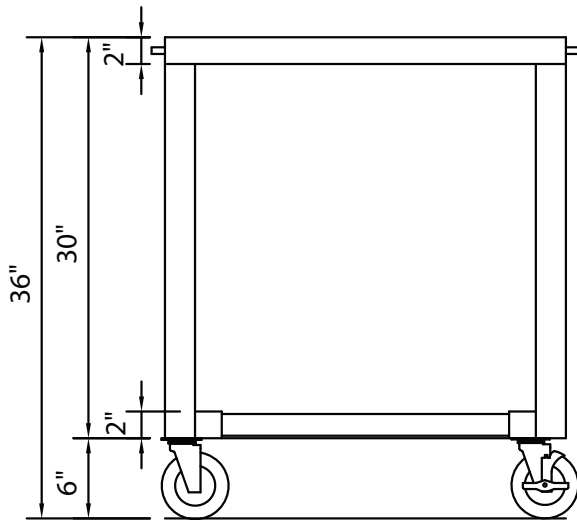
# THURMADUKE SERVING SYSTEMS CASHIER STAND

A.I.A. File No. 35-C-13

Catalog No. TSS-CASH

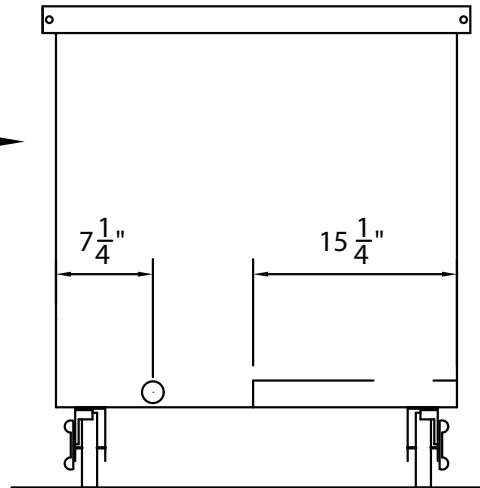


**TOP VIEW**



**FRONT VIEW**

OPEN →



**RIGHT SIDE VIEW**

THURMADUKE SERVING SYSTEMS - CASHIER STAND

**DIMENSIONS:**

POWER SUPPLY: N/A

Freight Class: 150

Model	Length		Width		Height		Optional Drawer Size						Cube ft. crated	Weight	
	in	cm	in	cm	in	cm	Length		Width		Depth			lbs	kg
							in	cm	in	cm	in	cm			
TCS-30	30	76.2	32	81.3	36	91.4	24-3/8	62.0	20	50.8	3-1/2	8.9	33.0	242	110.0

**INSTALLATION DATA:**

Must specify location of drawer



**Duke Manufacturing Co.**  
2305 N. Broadway  
St. Louis, MO 63102

Phone: 314-231-1130  
Toll Free: 1-800-735-3853  
Fax: 314-231-5074

[www.dukemfg.com](http://www.dukemfg.com)