

Copper Beech Range

Gas Restaurant Range w/ 4 Open Burners With Oven



- CBR-4 Gas restaurant range 4 burners with gas oven

STANDARD FEATURES

- Stainless steel front/back riser and galvanized sides
- Cast iron open burner, each 30,000 BTU/hr
- Thermostatically controlled oven (250° F- 550° F) c
- Welded frame structure for superior stability
- Standby S/S pilot for easy start
- Four castors for easy moving included
- 12" x12"(30x30cm) cast iron grate
- Anti-clogging pilot cover
- Pull-out crumb tray with angled handle in the front
- U shape oven burner (31,000 BTU/hr)
- Thermal coupling safety valve for oven
- Insulated stainless steel oven door
- Oven with stainless steel handle
- Kick plate at the bottom for easy access
- 3/4" NPT rear gas connection
- Two oven racks included
- One year limited parts and labor warranty



INSTALLATION INSTRUCTIONS

1. A gas pressure regulator supplied with the unit must be installed. Natural Gas 4.0" (102 mm) W.C. Propane Gas 10.0" (254 mm) W.C.
2. An adequate ventilation system is required for commercial cooking equipment.
3. These units are manufactured for installation in accordance with National Fuel Gas Code, ANSI-Z223.1/NFPA #54 (latest edition).
4. This appliance is intended for commercial installation only and is not intended for home use.
5. Equipment clearance requirement:

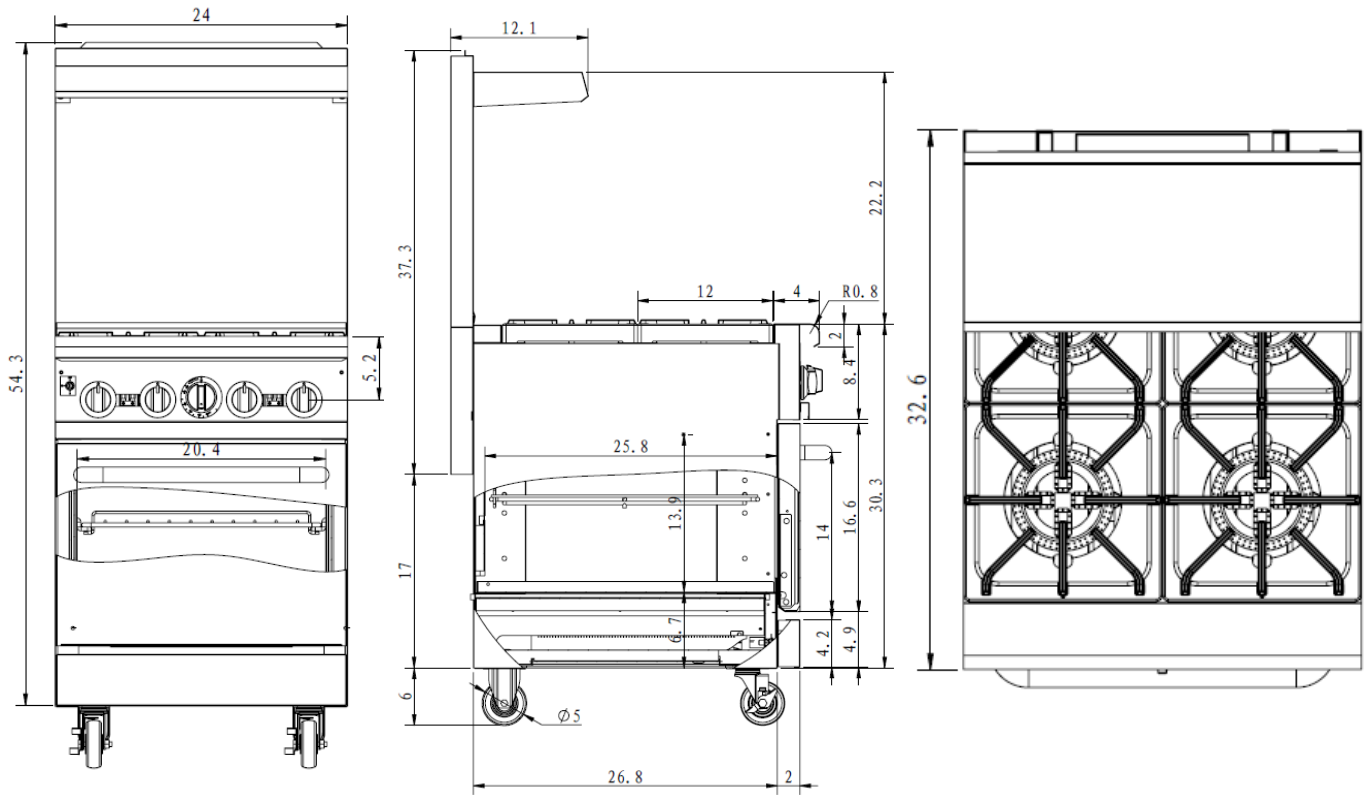
Non-Combustibles	Combustibles
Sides 0"	Sides 4"
Back 0"	Back 4"
6. All the installation must be performed by qualified technicians.
7. For gas conversion, please refer to conversion instructions in the Instruction Manual Book.



Copper Beech Range

Gas Restaurant Ranges 4 Open Burners with oven

INSTALLATION DRAWING



Model	Description	Oven dimension	Total BTU/HR	Packing Size(IN)	N/W (LB)	G/W (LB)
CBR-4	Gas range with oven	20.4x25.8x13.9	151,000	28.3x40x44	291	357

