



REFRIGERATION

SERVING THE FOOD INDUSTRY SINCE 1951

22-INCH ICE MAKER

Item: 47485 Model: IC-CN-0329

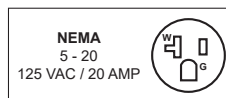
**ICE PRODUCTION MADE
FAST AND EASY
WITH OMCAN'S ICE MAKER!**

PRODUCT FEATURES

- Convenient to operate
- Easy to install
- Ice thickness is adjustable
- Feet are adjustable



WARRANTY
PARTS AND LABOR



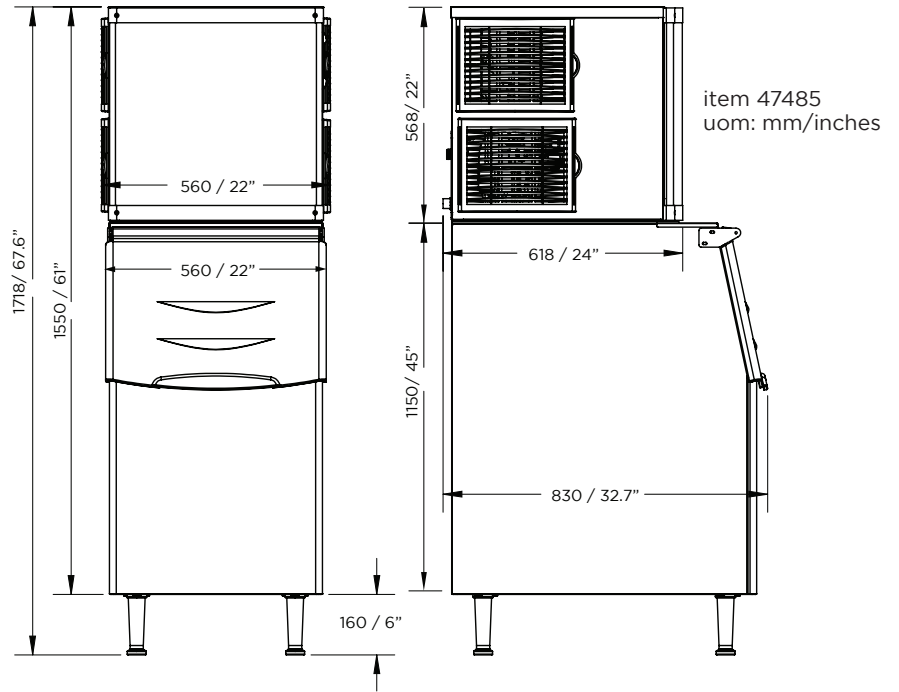
Authorized Dealer

REFRIGERATION

22-INCH ICE MAKER



Technical Drawing With Dimensions



TECHNICAL SPECIFICATIONS

ITEM NUMBER	47485
MODEL	IC-CN-0329
MAX. PRODUCTION	350 lbs 160 kg
MAX. ICE STORAGE	275 lbs 125 kg
ICE SHAPE	Cube
ELECTRICAL	115V / 60Hz / 1Ph
POWER	790 W
CONDENSER UNIT	Air
REFRIGERANT	R290
WEIGHT	110.2 lbs 50 kg Bin : 77.2 lbs 35 kg
PACKAGING WEIGHT	119.1 lbs 54 kg Bin: 88.2 lbs 40 kg
ICE MAKER HEAD DIMENSIONS	22" x 24.3" x 22.4" 560 x 618 x 568 mm
ICE BIN DIMENSIONS	22" x 32.7" x 45.3" 560 x 830 x 1150 mm
OVERALL DIMENSIONS	22" x 32.7" x 67.6" 560 x 830 x 1718 mm
PACKAGING DIMENSIONS	Machine: 25.8" x 29.5" x 24.4" 655 x 750 x 620 mm Bin: 25.4" x 35" x 41.5" 645 x 890 x 1055 mm

OMCAN INC.

Telephone: 1-800-465-0234
 Fax: (905) 607-0234
 Email: sales@omcan.com
 Website: www.omcan.com



Follow us to keep up to date with the latest news and offers

