



# T&S BRASS AND BRONZE WORKS, INC.

2 Saddleback Cove / P.O. Box 1088  
Travelers Rest, SC 29690

Model No.

**B-0693-POL**

Item No.

Travelers Rest, SC: 800-476-4103 • Simi Valley, CA: 800-423-0150 • Fax: 864-834-3518 • www.tsbrass.com



**ADA Compliant**

This Space for Architect/Engineer Approval

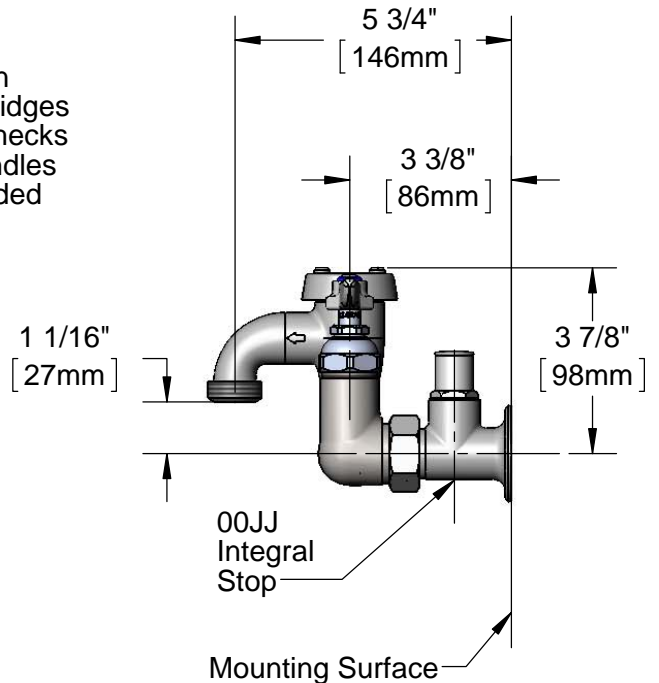
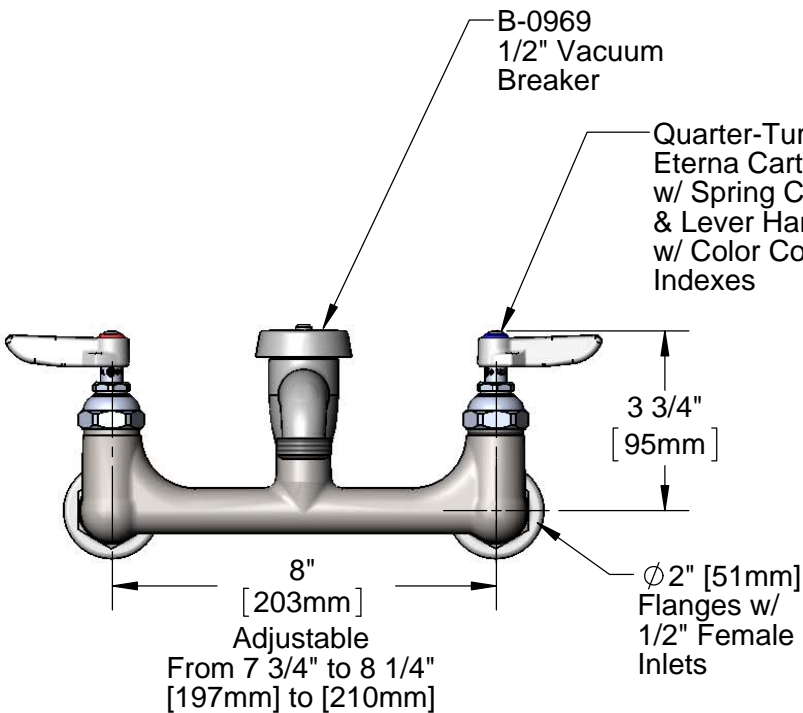
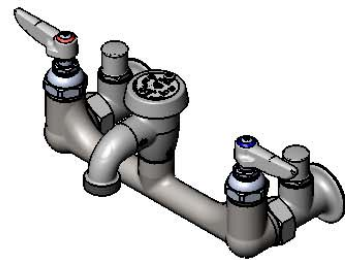
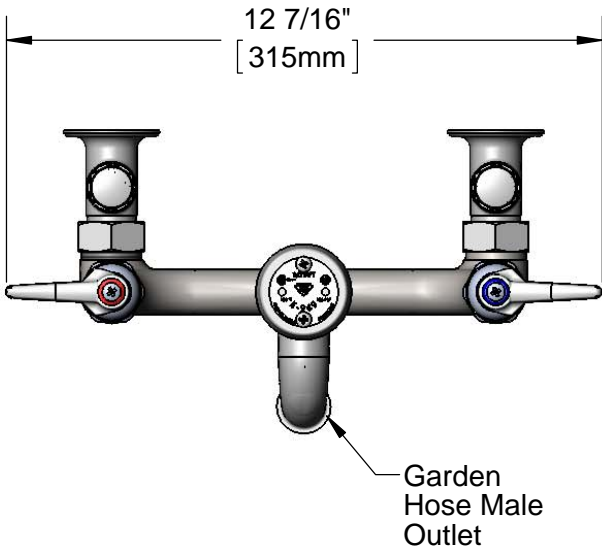
Job Name \_\_\_\_\_ Date \_\_\_\_\_

Model Specified \_\_\_\_\_ Quantity \_\_\_\_\_

Customer/Wholesaler \_\_\_\_\_

Contractor \_\_\_\_\_

Architect/Engineer \_\_\_\_\_



**Product Specifications:**

8" Service Sink Faucet, Polished Chrome Finish, Quarter-Turn Eterna Cartridges w/ Spring Checks, Lever Handles, Integral Service Stops, 3/8" NPT Vacuum Breaker, 1/2" NPT Female Inlets & Male Garden Hose Outlet

**Product Compliance:**

ASME A112.18.1 / CSA B125.1  
NSF 61 - Section 9  
NSF 372 (Low Lead Content)  
ASSE 1001 (VB)  
ANSI A117.1 (ADA)



# T&S BRASS AND BRONZE WORKS, INC.

2 Saddleback Cove / P.O. Box 1088  
Travelers Rest, SC 29690

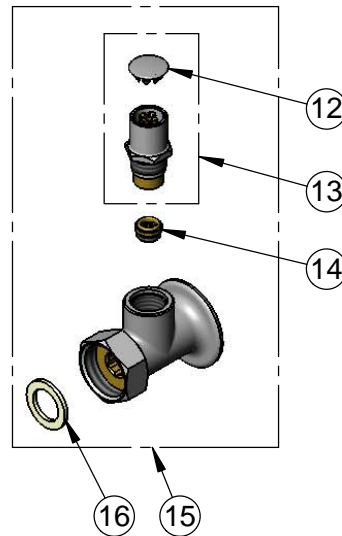
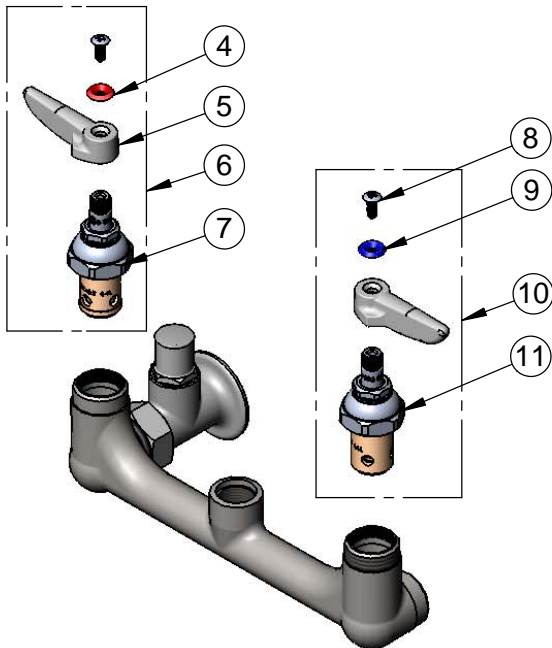
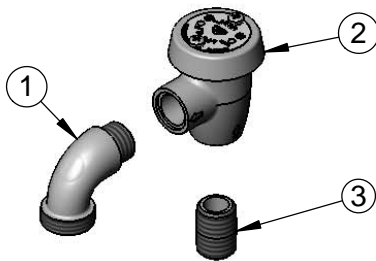
Model No.

**B-0693-POL**

Item No.

Travelers Rest, SC: 800-476-4103 • Simi Valley, CA: 800-423-0150 • Fax: 864-834-3518 • www.tsbrass.com

ITEM NO.	SALES NO.	DESCRIPTION
1	001618-40	Spout, Short
2	B-0969	1/2" NPT Vacuum Breaker
3	002534-25	Close Nipple, 1/2" NPT
4	001661-45	Red Index-HW
5	001638-45	Lever Handle
6	002712-40	Quarter-Turn Eterna Cartridge, RTC w/ Spring Check, Handle, Index & Screw
7	012443-40	Quarter-Turn Eterna Cartridge, RTC w/ Spring Check
8	000922-45	Lever Handle Screw
9	001660-45	Blue Index-CW
10	002711-40	Quarter-Turn Eterna Cartridge, LTC w/ Spring Check, Handle, Index & Screw
11	012442-40	Quarter-Turn Eterna Cartridge, LTC w/ Spring Check
12	001605-45	Cap
13	002892-40	Spindle Asm w/ Cap
14	000763-20	Seat
15	00JJ	Flange w/ Integral Stop Asm, 1/2" NPT Female Inlet
16	001019-45	Coupling Nut Washer



**Product Specifications:**

8" Service Sink Faucet, Polished Chrome Finish, Quarter-Turn Eterna Cartridges w/ Spring Checks, Lever Handles, Integral Service Stops, 3/8" NPT Vacuum Breaker, 1/2" NPT Female Inlets & Male Garden Hose Outlet

**Product Compliance:**

ASME A112.18.1 / CSA B125.1  
NSF 61 - Section 9  
NSF 372 (Low Lead Content)  
ASSE 1001 (VB)  
ANSI A117.1 (ADA)