

| | |
|--------------------------|------------|
| Project: _____ | AIA# _____ |
| Item #: _____ Qty: _____ | SIS# _____ |
| Model #: _____ | |

Wood Barrel Towers



WB-6-B

NOTE: Faucet handles not included.

WB-__-__

Size:
Specify the number of faucets from 3 to 6.

Finish:
B = Flat Black
N = Natural

Standard Features

- Oak wood barrel construction
- Includes separate stainless steel surface mount drain pan with lift-out perforated insert
- 1/4" shanks with 3/16" restriction lines
- Available in flat black or natural unfinished
- Available with insulated cold plate assembly for recirculating system
- Available in three through six faucet sizes
- Includes stainless steel faucets and shanks
- Includes wall mounting brackets

Specifications

Drains

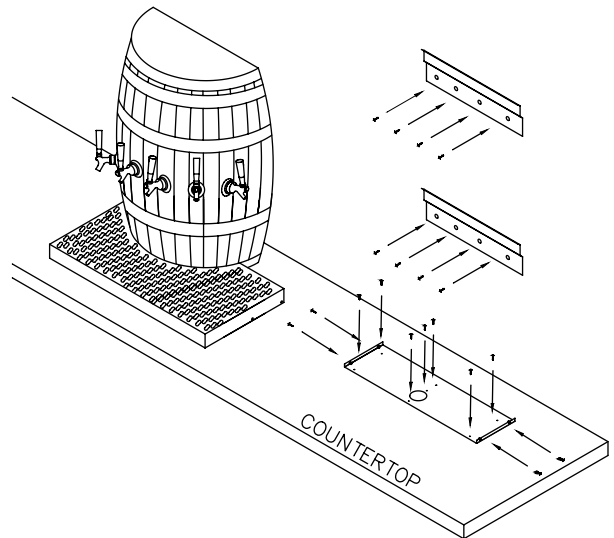
- Drain pan models - 1/2" tailpiece

Materials

- 18 gauge stainless steel parts include: drain pan and perforated drain pan inserts
- 20 gauge stainless steel parts include: inner tower head

Shank Sizes

- 1/4" I.D. with 3/16" fittings



MOUNTING DETAILS

| | |
|---|-----------------------|
| Glastender, Inc. • 5400 North Michigan Road • Saginaw, MI • 48604-9780 989.752.4275 • 800.748.0423 • Fax 989.752.4444 www.glastender.com | Approval/Notes: _____ |
| Specifications subject to change without notice. For current specifications please visit our website. | |

Wood Barrel Tower

Dimensional Information

