



ATLAS METAL

1135 N.W. 159th DRIVE, MIAMI, FLORIDA 33169

TEL 305.625.2451

TOLL FREE 800.762.7565

FAX 305.623.0475

WWW.ATLASFOODSERV.COM

SALES@ATLASFOODSERV.COM

Project: _____

Item No.: _____

Quantity: _____

MODULAR UNITS INF SERIES



ICE CREAM UNIT

Reach-In

INFDF-2

INFDF-3

SPECIFICATIONS

TOP: Constructed of 16 gauge, type 304 stainless steel, die-formed, welded, ground and polished. The top is provided with an opening to receive the appropriately sized drop-in unit.

BODY: Frame construction shall be of hi-tensile stainless steel square tubing, 1-1/4" x 1-1/4". Frame sections are welded construction, ground and polished to a uniform finish. Body & panel is constructed from 18 gauge stainless steel with 1/16" thick plastic laminate Front & ends. rear aprons is constructed from 16 gauge stainless steel with 1/16" thick plastic laminate finish. Owner to specify finish. An integral locking device shall be provided to align and retain cart positioning when two or more carts are joined.

DEEP FREEZE COMPARTMENT: The cart includes a WDF series built-in deep freezer installed in the top. Constructed of 18 gauge, type 304 stainless steel, with raised perimeter bead and solid vinyl gasket. The unit is fully insulated with 2-1/2" of high density polystyrene on all sides and enclosed with a 22 gauge galvanized steel outer case. The inner liner has copper tubing firmly soldered to the exterior sides and bottom. The unit is provided with a double pan, insulated lid with a rubber, self-insulating hinge. The entire lid is removable.

REFRIGERATION SYSTEM: The compressor housing shall be fabricated from formed 14 gauge galvanized and bolted to the base of the unit. A fully self-contained condensing unit is provided with a hermetically sealed compressor and a thermostat control. The system is fully charged with CFC free refrigerant and ready to operate.

ELECTRICAL: The unit will be wired for 15 amps., 120 volt, single phase operation with an on/off switch and pilot light. A 6' long, 3-wire cord and plug (NEMA 5-15P) will be provided.

CASTERS: The casters shall be 4" diameter, non-marking rubber tired, swivel type with ball bearings in both swivel and axle raceways, provided with grease fittings. Both casters on operator's side have toe activated brakes.

Specifications subject to change without notice.

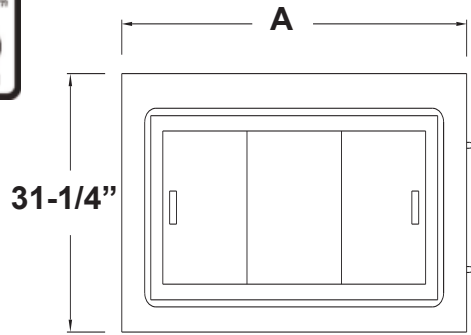
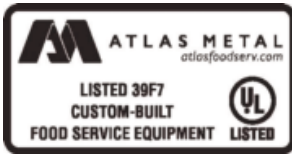
STANDARD FEATURES

- Fully insulated for maximum efficiency and energy savings
- Self-contained refrigeration system - just plug it in and turn it on
- Positive self-locking device - keeps tops level and equipment in place
- Fully mobile - each unit is provided with 5" dia. swivel casters two with brakes
- Versatile - available in a wide range of sizes and a wide variety of finishes and colors
- 1-Year Parts & Labor Warranty
- NSF Approved, UL Listed

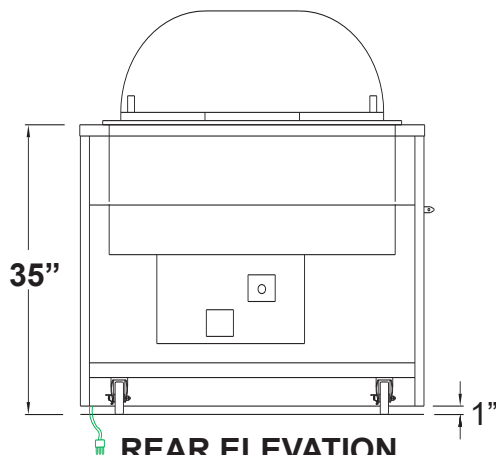
ACCESSORIES

- **TS** - Tray Slide, 12" wide, S/S, solid, ribbed, fold-down
- **SH** - Work Shelf, 8" wide, S/S, fold-down
- **CB** - Work Shelf, 8" wide, hardwood maple, fold-down
- **CR** - Work Shelf, 8" wide, Richlite, fold-down
- **ES** - End Shelf, 16" wide, S/S, fold-down
- **CBE** - End Shelf, 16" wide, hardwood maple, fold-down
- **RPS** - Rear Sliding Doors, removable
- **HD** - Hinged Doors, S/S
- **DL** - Door Locks (set)(for **RPS** or **HD**)
- **CO** - Convenience Outlet (specify base or apron mount)
- **CO-DUP** - Convenience Outlet, Duplex receptacle
- **ERS** - Electrical Raceway System
- **PCS** - 7 to 10 ft. Power Cord
- **CW** - Cord Wrap
- **P-CAST** - Polyurethane Casters, 2-W/Brakes
- **5YW** - 5-Year Compressor Warranty
- **Hinged Plexiglas Lid** in lieu of S/S
- **LLD** - Lid locking device
- **2060-1** - Condensate Evaporator
- **RS** - Remote on/off switch
- ***220 Volt - 50 Cycle Compressor**
- **Solid SurfaceTop**

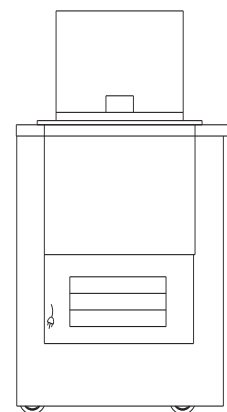
* Units with these accessories are not currently UL listed.



PLAN VIEW



REAR ELEVATION



END VIEW

MODEL	"A"	"CU. FT."	CAPACITY LBS.	ELECTRICAL CHARACTERISTICS	SHIP WT. (lbs.)
INFDF-2	36-1/2" (92cm)	4.5	100 (45.3kg)	6.2 amps. - 120 V - 1/4 HP	325 (147.4kg)
INFDF-3	50-1/4" (127cm)	7.8	150 (68kg)	6.2 amps. - 120 V - 1/4 HP	872 (395.5kg)

REFRIGERATION CHART						
MODEL	HP	REF.	OZ.	LOW PSIG.	HIGH PSIG.	BTU M10 90A
INFDF-2	1/4	134A	4	min 3 in	129	1070
INFDF-3	1/4	134A	5	min 3 in	129	1070