

Project: _____	AIA# _____
Item #: _____ Qty: _____	SIS# _____
Model #: _____	

Combo Ice Bins

See reverse side for model number key

Standard Features



CBA-36R-CP10
Shown with optional speed rail



TC-BS Accessory

- All stainless steel construction
- One-piece, seamless top and backsplash
- PVC plastic breaker strip around ice bin liner: creates 5/16" raised edge around liner, acts as thermal barrier to prevent heat transfer, and makes the cover slide easier
- Tubing chase available centered in backsplash of 12" and larger models. Specify accessory model #TC-BS.
- Backsplash mounted, hot and cold water ice-melting faucet available. Specify accessory model # IMF. For faucet specs, see spec Faucet-B.
- 24" deep version provides larger ice bin not just a deck extension on the back of the 19" deep model
- Sliding stainless steel cover
- Eco friendly foamed-in-place insulation has zero impact on global warming or ozone depletion
- Adjustable stainless steel bullet feet
- Models available with ten circuit cold plate (includes '-CP10' suffix in model number)
- Combo Ice Bins combine separate draining ice bin and bottle well compartments into one integral unit. The fully insulated bottle well comes with wire rack(s) for ice chilled storage of bottles. The bottle well may be located on the left, right, or both sides of the ice bin.

NOTE: Combo Ice Bins are not recommended for dry, room temperature storage of bottles - instead, higher bottle capacity Liquor Steps (see spec page LD) should be ordered

To view underbar installation instructions, please visit: https://www.glastender.com/PDF/F-750-165_Underbar_Installation_Instructions.pdf
 To view cleaning and care instructions, please visit: https://www.glastender.com/PDF/F-423-011_ss_clean_care.pdf

Specifications

Drain

- Non-cold plate: 1-1/2" tailpiece
- Ten circuit cold plate: 3/4" MPT

Tubing Chase in Backsplash (Optional)

- 2-3/8" by 4" hole centered in backsplash

Cover

- Two-piece sliding cover, 20 gauge stainless steel, included with all models

Cold Plate (Models with '-CP10' suffix)

- Connection is 5/16" O.D. stainless steel tubing with swaged end

Liner Depth

- 10-1/2"

Ice Capacity - Main Liner

- "A" depth = 2.79 lbs X length
- "B" depth = 3.54 lbs X length

Legs

- 1-5/8" diameter 16 gauge stainless steel
- Stainless steel bullet feet

Materials

- 20 gauge stainless steel
- PVC plastic breaker strip around opening of ice bin liner

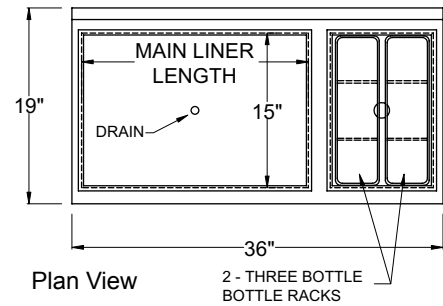
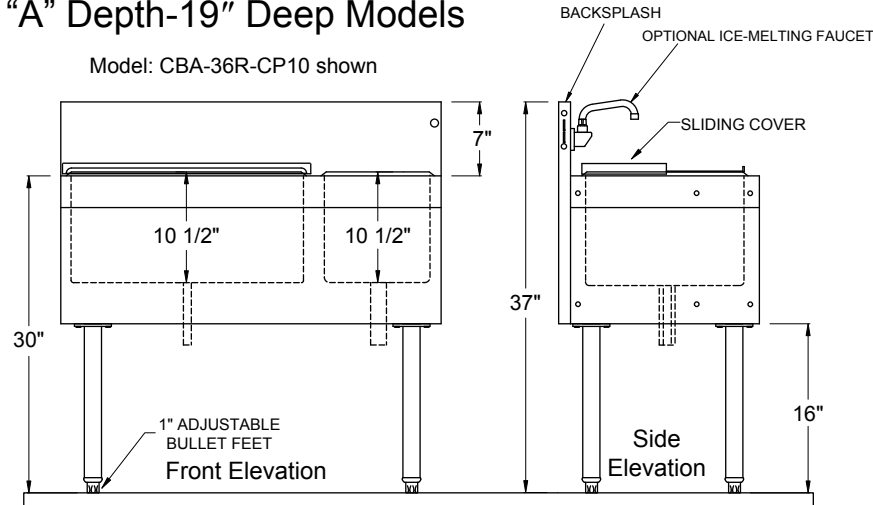
Glastender, Inc. • 5400 North Michigan Road • Saginaw, MI • 48604-9780 989.752.4275 • 800.748.0423 • Fax 989.752.4444 www.glastender.com	Approval/Notes:
Specifications subject to change without notice. For current specifications please visit our website.	

Combo Ice Bins

Dimensional Information

"A" Depth-19" Deep Models

Model: CBA-36R-CP10 shown

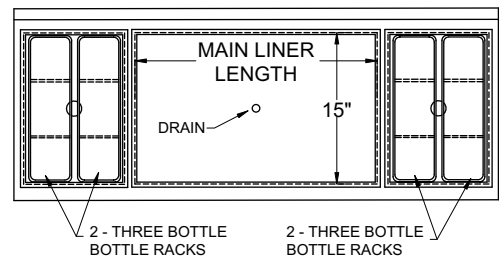


Plan View

2 - THREE BOTTLE BOTTLE RACKS

NOTE: L3 or R3 models have one 3-bottle rack

Models Without Cold Plate	Models With Cold Plate	Overall Length	Main Liner Length	Bottle Well Location
CBA-30L3 or R3	CBA-30L3-CP10 or R3-CP10	30"	22"	Left or Right
CBA-30L or R		30"	16"	Left or Right
CBA-36L or R	CBA-36L-CP10 or R-CP10	36"	22"	Left or Right
CBA-42		42"	16"	Left and Right
CBA-42L or R	CBA-42L-CP10 or R-CP10	42"	28"	Left or Right
CBA-48	CBA-48-CP10	48"	22"	Left and Right
CBA-48L or R	CBA-48L-CP10 or R-CP10	48"	34"	Left or Right
	CBA-54-CP10	54"	28"	Left and Right
	CBA-60-CP10	60"	34"	Left and Right

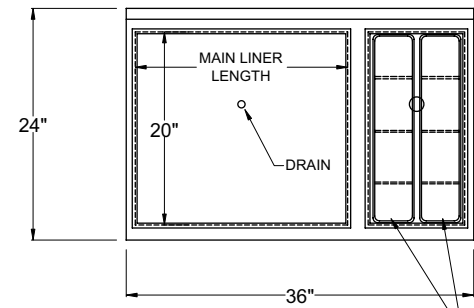
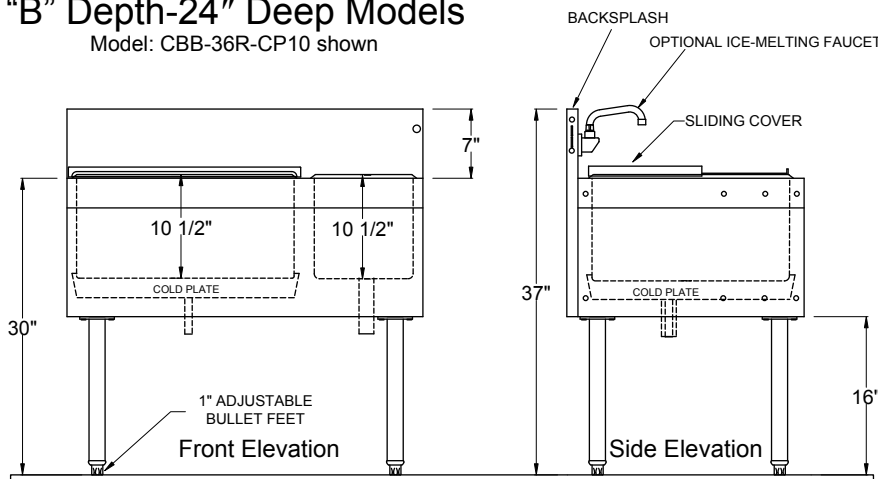


Plan view detailing two bottle well models

Model: CBA-48-CP10 shown

"B" Depth-24" Deep Models

Model: CBB-36R-CP10 shown



Plan View

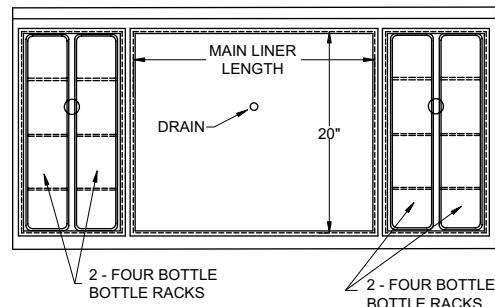
2 - FOUR BOTTLE BOTTLE RACKS

NOTE: L4 or R4 models have one 4-bottle rack

Plan view detailing two bottle well models

Model: CBB-48-CP10 shown

Models With Cold Plate	Overall Length	Main Liner Length	Bottle Well Location
CBB-30L4-CP10 or R4-CP10	30"	22"	Left or Right
CBB-36L-CP10 or R-CP10	36"	22"	Left or Right
CBB-42L-CP10 or R-CP10	42"	28"	Left or Right
CBB-48-CP10	48"	22"	Left and Right
CBB-48L-CP10 or R-CP10	48"	34"	Left or Right



2 - FOUR BOTTLE BOTTLE RACKS

2 - FOUR BOTTLE BOTTLE RACKS



5400 North Michigan Road • Saginaw, MI • 48604-9780
 989.752.4275 • 800.748.0423 • Fax 989.752.4444
www.glastender.com

Printed in USA