

"PBHS-14-1-SSLR" PRO-BOWL HAND SINKS

Wall Mount, (1) 14"x10"x5" Deep Bowl w/Side Splashes

FEATURES:

- One Piece Deep Drawn Bowl
- All Sink Bowls Have Large Liberal Radii Corners
- Includes Basket Drain
- Splash Mount - One Faucet Hole On-Center

SPECIFICATIONS:

- Bowl: Stainless Steel Tops Are TIG Welded, Exposed Welds Are Polished To Match Adjacent Surface
- Bowl: Type 300 Stainless Steel Polish, Satin Finish
- Bracket: Type 300 Stainless Steel Polish, Satin Finish
- Drain: 2" Drain Opening, With 1-1/2" NPS Outlet Connection

CERTIFICATIONS:



PBHS-W-1410-1-SSLR

ACCESSORIES

MODEL

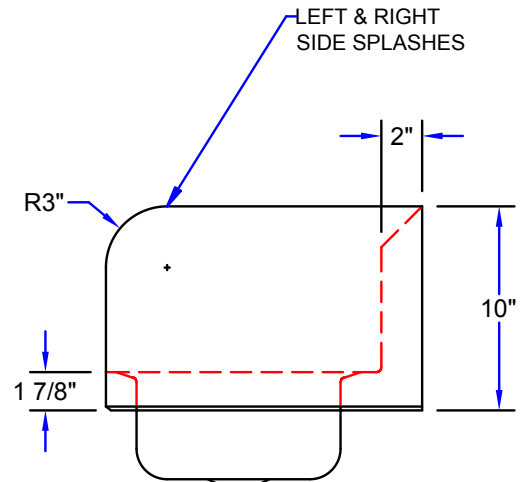
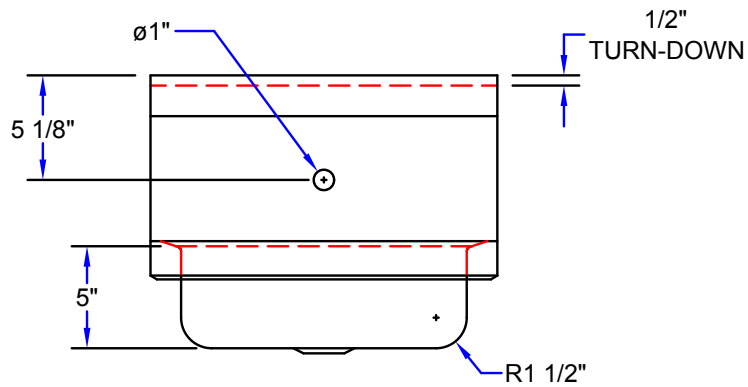
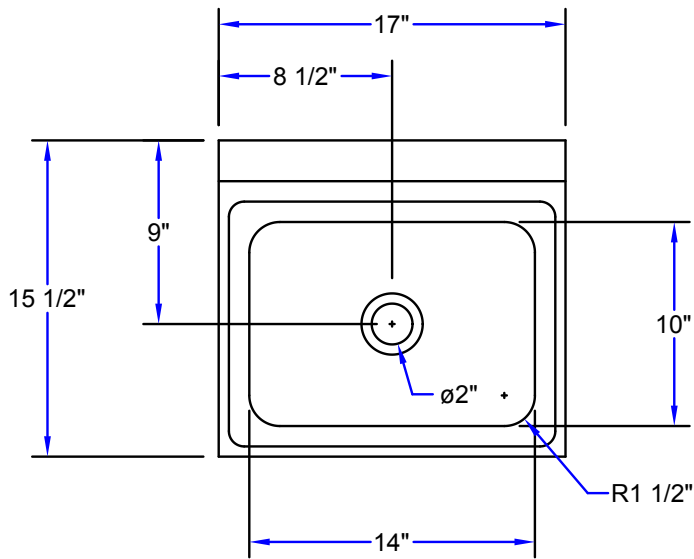
- Faucets
- ADA Wrist Blades
- Side Splashes
- Towel Dispenser
- Soap Dispenser
- Lever Wastes
- Over Flows
- P-Traps

"PBHS-14-1-SSLR" PRO-BOWL HAND SINKS

MODEL	BOWL SIZE (L X W X H)	OVERALL SINK SIZE (L X W X H)	WEIGHT (LBS)
PBHS-W-1410-1-SSLR	14"x10"x5"	17"x15-1/2"x13-1/8"	16

ALL DIMENSIONS ARE TYPICAL. TOLERANCE +/- .500". JOHN BOOS & CO. RESERVES THE RIGHT TO CHANGE SPECIFICATIONS WITHOUT NOTICE.

DETAILED SPECIFICATIONS



"PBHS-14-1-SSLR" PRO-BOWL HAND SINKS

MODEL	BOWL SIZE (L X W X H)	OVERALL SINK SIZE (L X W X H)	WEIGHT (LBS)
PBHS-W-1410-1-SSLR	14"x10"x5"	17"x15-1/2"x13-1/8"	16

ALL DIMENSIONS ARE TYPICAL. TOLERANCE +/- .500". JOHN BOOS & CO. RESERVES THE RIGHT TO CHANGE SPECIFICATIONS WITHOUT NOTICE.