



T&S BRASS AND BRONZE WORKS, INC.
 2 Saddleback Cove / P.O. Box 1088
 Travelers Rest, SC 29690

Model No.
B-0142

Item No.

Travelers Rest, SC: 800-476-4103 • Simi Valley, CA: 800-423-0150 • Fax: 864-834-3518 • www.tsbrass.com

This Space for Architect/Engineer Approval

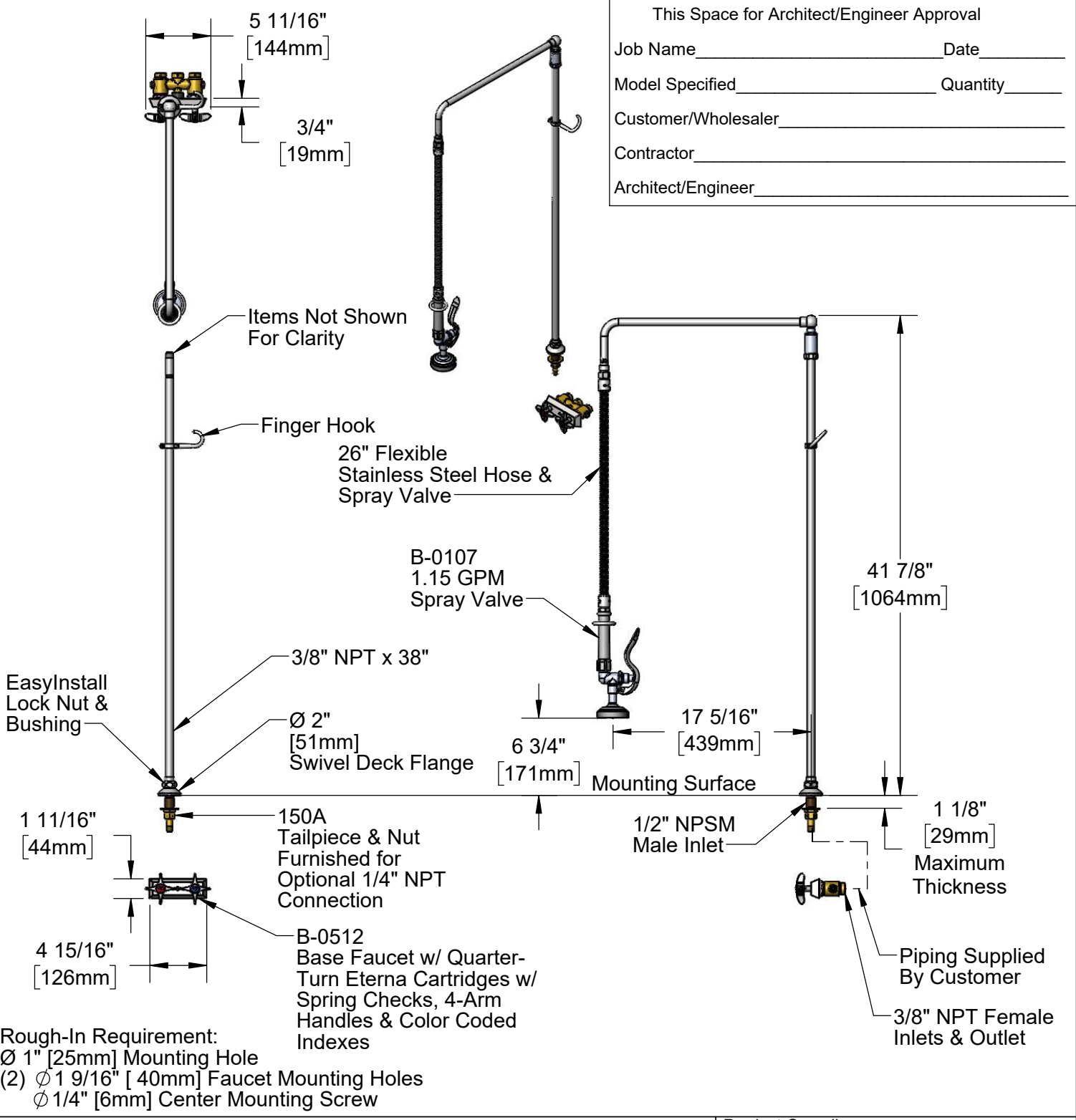
Job Name _____ Date _____

Model Specified _____ Quantity _____

Customer/Wholesaler _____

Contractor _____

Architect/Engineer _____



Product Specifications:
 Pre-Rinse Unit: Single Hole Deck Mount Dummy Pre-Rinse and Remote Control Faucet, Quarter-Turn Eterna Cartridges w/ Spring Checks, 4-Arm Handles, 1.15 GPM Spray Valve, 38" Riser, 18" Overhead Swivel Arm & 3/8" NPT Female Inlets

Product Compliance:
 ASME A112.18.1 / CSA B125.1
 NSF 61 - Section 9
 NSF 372 (Low Lead Content)
 2019 DOE PRSV - Class II

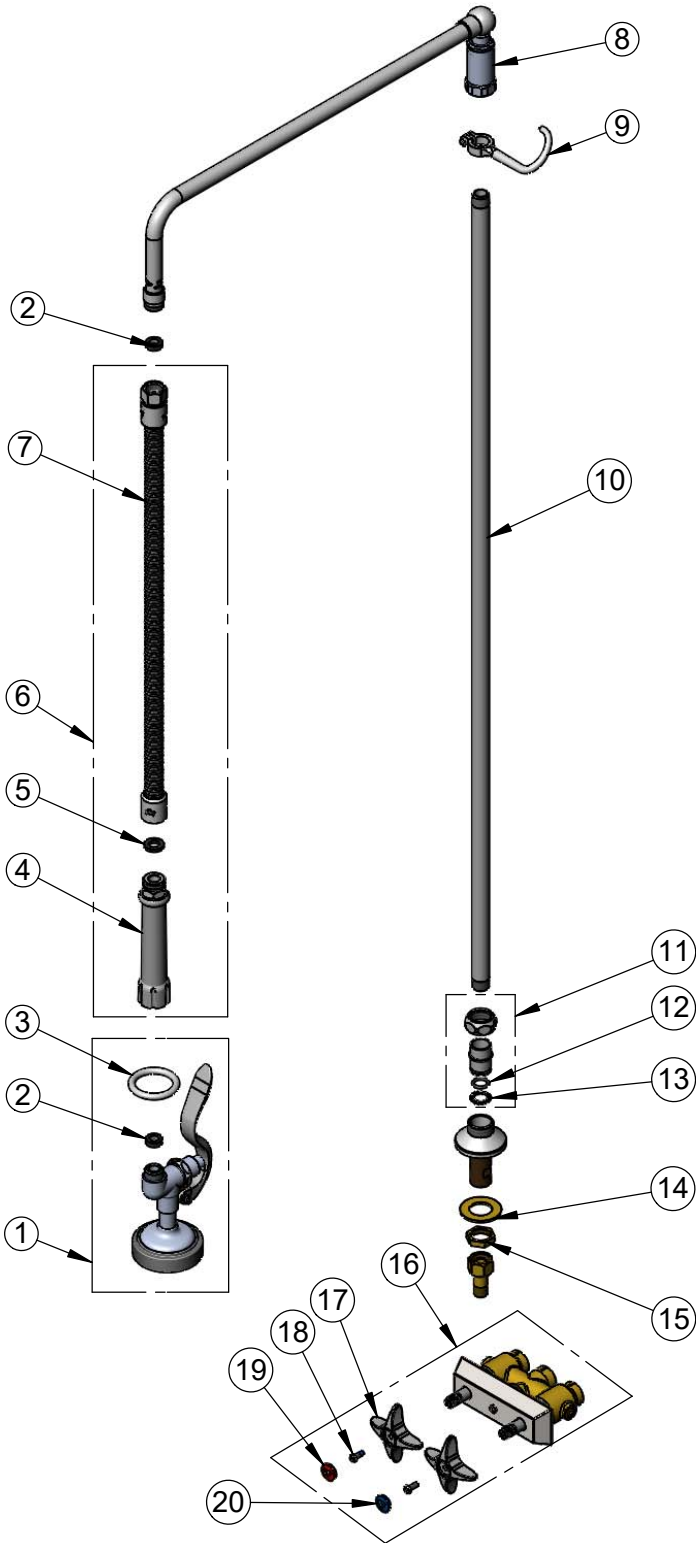


T&S BRASS AND BRONZE WORKS, INC.
 2 Saddleback Cove / P.O. Box 1088
 Travelers Rest, SC 29690

Model No.
B-0142

Item No.

Travelers Rest, SC: 800-476-4103 • Simi Valley, CA: 800-423-0150 • Fax: 864-834-3518 • www.tsbrass.com



ITEM NO.	SALES NO.	DESCRIPTION
1	B-0107	1.15 GPM Spray Valve
2	010476-45	#27 Washer
3	000907-45	Spray Valve Hold Down Ring
4	002987-40	Grip Handle
5	001014-45	Washer, B-0100 Hose Barrel
6	B-0026-H	26" Flexible Stainless Steel Hose
7	B-0026-H2A	26" Flexible Stainless Steel Hose, Less Handle
8	002883-40	18" Swivel L-Tube
9	004R	Finger Hook
10	016M	3/8" NPT x 38" Riser
11	EZ-K	EasyInstall Kit
12	001065-45	O-ring
13	014200-45	Star Washer, Anti-Rotation
14	000999-45	Brass Lock Washer
15	002954-45	Shank Lock Nut
16	B-0512	Concealed Mixing Valve
17	002521-45NS	4-Arm Handle (New Style)
18	000925-45	Lab Handle Screw
19	001193-19NS	Red Button Index, Press-in
20	018506-19NS	Blue Button Index, Press-in

Product Specifications:
 Pre-Rinse Unit: Single Hole Deck Mount Dummy Pre-Rinse and Remote Control Faucet, Quarter-Turn Eterna Cartridges w/ Spring Checks, 4-Arm Handles, 1.15 GPM Spray Valve, 38" Riser, 18" Overhead Swivel Arm & 3/8" NPT Female Inlets

Product Compliance:
 ASME A112.18.1 / CSA B125.1
 NSF 61 - Section 9
 NSF 372 (Low Lead Content)
 2019 DOE PRSV - Class II