

High Capacity Reverse Osmosis System | AQ-RO



HIGH QUALITY WATER FOR DEMANDING APPLICATIONS

The AQ-RO High Capacity Reverse Osmosis Systems are the perfect solution for delivering incredibly high quality water throughout your entire kitchen. By reducing a wide spectrum of contaminants, the AQ-RO High Capacity Reverse Osmosis Systems will improve your water quality and keep your equipment clean.

Capable of removing over 90% of the contaminants present in the incoming water supply, the AQ-RO High Capacity Reverse Osmosis Systems are well suited for locations with water that has high levels of dissolved solids. AQ-RO High Capacity Reverse Osmosis Systems are reliable, compact, and capable of producing up to 2500 gallons of water per day.



High Quality Water

Three-stage treatment improves the quality of your water.



High Capacity

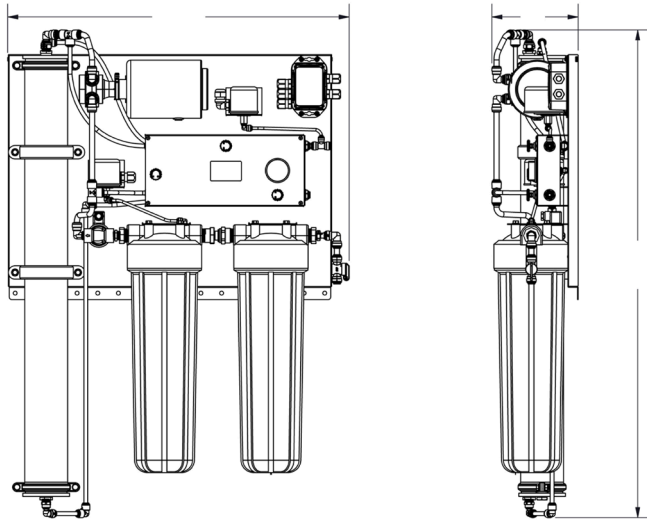
2500 gallons of water per day



Blend Value

The AQ-RO High Capacity System allows you to dial in the desired water quality.

High Capacity Reverse Osmosis System | AQ-RO



Features:

- Compact, wall mounted design.
- Inlet connection 1/2" push-to-connect
- Permeate connection 3/8" push-to-connect
- Drain connection 3/8" push-to-connect
- Inlet, low pressure switch
- Tank, high pressure switch
- Feed pump for consistent production
- Blend Valve for adjustable TDS
- Product TDS onitor
- Feed pressure gauge
- Feed & concentrate throttle valves

AQ-RO High Capacity System Information

Model Part No.	Capacity (GPD)	Inlet Connection	Permeate Connection	Drain Connection	Flow Rate Capacity	Voltage	System Recovery	TDS Reduction	Width (A)	Depth (B)	Height (C)
AQ-RO High Capacity	2500 gpd (9464 lpd)*	1/2" Push-to-Connect	3/8" Push-to-Connect	3/8" Push-to-Connect	1.74 gmp (6.6 lpm)	120V	50%	98%	33" (838 mm)	8" (203 mm)	47" (1194 mm)

Operating Specifications

Model Part No.	Max Hardness	Max Operating Temperature	Max Pressure Drop	Max Feed Water SDI	Max Feed Water Turbidity	Operating pH Range
AQ-RO High Capacity	1 grain per gallon	113°F (45°C)	10 psi (0.7 bar)	5 (15 min)	1 NTU	3-10

* Product performance based on 100 psi feed pressure, pH 7-8, feed water temperature 66°F (19°C), feed water 500 ppm