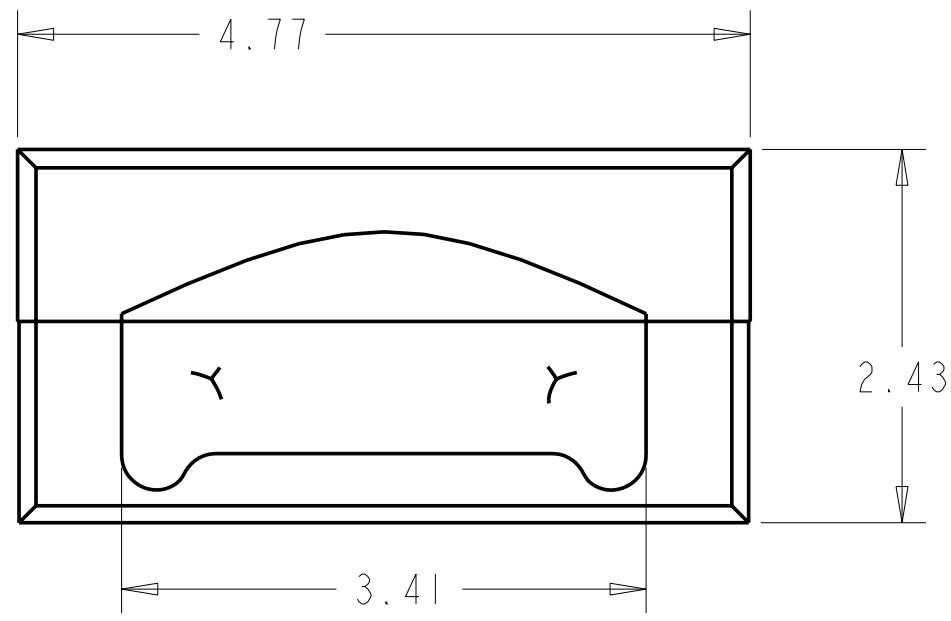
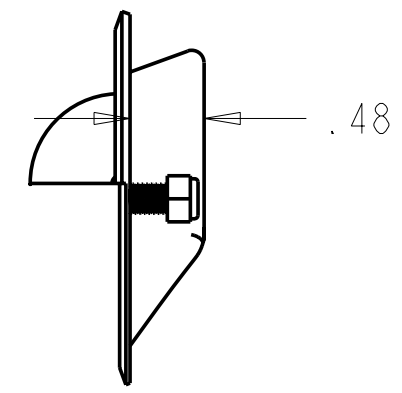


SCALE 0.750



SCALE 0.800



**HAND \* WARE- \* PLUMBING & \* COMMERCIAL \* COMPONENTS & SUPPLIES**  
**SINKS \* WASHING \* DRAINAGE \* EQUIPMENT**

MODEL #: BKSDRWPL	DESCRIPTION: Drawer Pull w/ Cover .188 OD Studs W/ Nuts			
MATERIAL:	DATE:	DRAFTER:	SCALE: 6"=1"-0"	APPROVED BY:

Dimensions subject to change without prior notification. This illustration is the exclusive property of BK Resources. It may not be distributed in any manner with out the express consent of BK Resources

REVISIONS	DATE

**BK Resources**  
 1609 WEST WERNING AVE., SUITE D  
 EFFINGHAM, IL 62401  
 (888)310-4393 / FAX (888)310-4394  
 EMAIL: sales@bk-resources.com  
 VISIT OUR WEBSITE  
 www.bk-resources.com