



**Mobile Condiment Cart**  
Process & Fill Orders in One Location.

# Organized & Ready To-Go.



## Process & Fill Orders in One Location.

The Mobile Condiment Cart keeps small items such as condiment packets, utensils, napkins, straws, etc. in arms reach. This mobile solution can easily adapt to any location, and makes assembling orders a breeze since add-ons are contained in one footprint. Removable plastic bins offer peace of mind for sanitizing and cleaning.

The easy order part number includes everything pictured and ships in one box!

Part #	Description	Nominal D x W x H (in.) (mm)	
<b>CR1430CC</b>	14x30 Mobile Condiment Cart	14x30x27	356x762x686



**Pictured:** CR1430CC



# Mobile Condiment Cart

## Process & Fill To-Go Orders

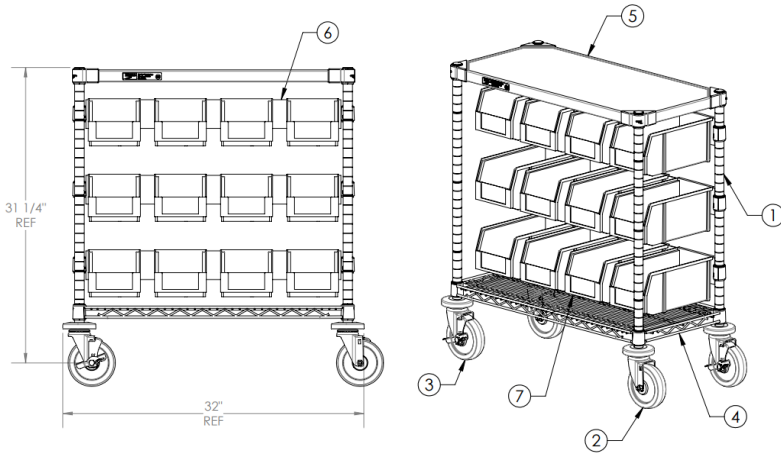
Ensure that customers receive the correct order every time by streamlining order assembly with the Metro® Mobile Condiment Cart. The unit comes equipped with 12 easy-to-clean plastic overhead bins that keep smaller items such as napkins, utensils, and condiments within arms reach. Having the ability to process and fill orders in a designated area prevents errors and increases speed.

### Key Specifications:

- **Super Erecta® Solid Shelf:**
  - Material: Type 304 Stainless Steel with corrosion resistant epoxy-coated corners.
  - Shelf design features a 1/8" (3.2 mm) raised "ship's edge" on all four sides to contain spills.
- **Super Erecta Brite Wire Shelves:**
  - Can be adjusted at 1" (25 mm) intervals.
  - Each shelf can support up to 800 lbs. (363 kg).
- **Plastic Bins:** Conveniently hold condiments and utensils.



Part #	Description	Nominal D x W x H (in.) (mm)		Approx. Pkg. Wt. (lbs.)
<b>CR1430CC</b>	14x30 Mobile Condiment Cart	14x30x27	356x762x686	58.76



### CR1448CC Consists of:

Item #	Qty	Part #	Description
1	4	27UP	27" POST
2	2	5M	5" SWIVEL CASTER
3	2	5MB	5" SWIVEL/BRAKE CASTER
4	1	1430BR	14" X 30" BRITE WIRE SHELF
5	1	1430FS	14" X 30" SOLID SHELF
6	3	30BHC	30" BIN BAR
7	13	EE2146A	BLACK BINS

Visit [www.metro.com](http://www.metro.com) or call 1-800-992-1776.

L11-008 6/20

© 2020 InterMetro Industries Corporation, Wilkes-Barre, PA 18705



We put space to work.

an Ali Group Company



The Spirit of Excellence