



Profit from the Eagle Advantage®

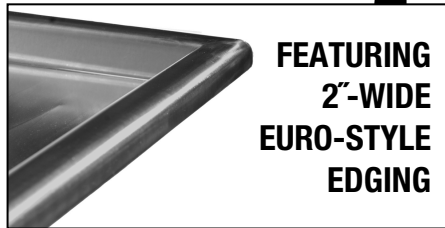
# Specification Sheet

## Short Form Specifications

Eagle Convenience Store Sink, model \_\_\_\_\_.  
Heavy gauge type 304 stainless steel sink bowls, drainboards, and backsplash. Faucet holes punched on 8" centers. Basket-type drains with 1½" outlet. 1"-diameter crossbracing. 1½" O.D. galvanized tubular legs with adjustable bullet feet.



(faucet not included—see below)



**FEATURING  
2"-WIDE  
EURO-STYLE  
EDGING**

### Faucet for all 310 & 312 Series Sinks



**description**

10" (254mm)-long swivel spout, 8" (203mm) center

**model #**

**300489**

### Options / Accessories

- Faucet (see above)
- Twist drain bracket
- Lever drain
- Stainless steel legs
- Twist handle drain
- Stainless steel bullet feet

### EAGLE GROUP

100 Industrial Boulevard  
Clayton, DE 19938-8903 USA

Phone: 302-653-3000 • 800-441-8440

Fax: 302-653-2065

www.eaglegrp.com • www.eaglehmc.com

For custom configuration or fabrication needs, contact our SpecFAB® Division.

Phone: 302-653-3000 • Fax: 302-653-2065 • e-mail: quotes@eaglegrp.com

Item No.: \_\_\_\_\_  
 Project No.: \_\_\_\_\_  
 S.I.S. No.: \_\_\_\_\_

## 310 & 312 Series Sinks

### MODELS:

- 310-10-3-12
- 312-12-3-12
- 310-10-3-18
- 312-14-3-12
- 310-10-3-24

### Material:

- Sink Bowls: Heavy gauge type 304 stainless steel.
- Top: Drainboards, backsplash and edging are heavy gauge type 304 stainless steel.
- Legs: 1½" (41mm)-diameter heavy-gauge galvanized tubing with plated 12-gauge gussets and high-impact corrosion resistant fully adjustable bullet feet.
- Crossbracing: 1" (25mm)-diameter heavy-gauge galvanized tubing, running front-to-back.

### Design and Construction Features:

- Two integrally welded drainboards provided.
- All sink bowls have a generous radius—1½" (41mm) minimum—and are designed for maximum capacity.
- Germ-free seamless interior.
- Leg locations are adjacent to sink bowls, providing increased stability and maximum weight support.
- Legs are crossbraced front-to-back for increased stability.
- Leg gussets are welded to a die-cut heavy gauge reinforcing plate.
- Entire assembly is fuse-welded and planished, providing a one-piece seamless sink unit.
- 9½" (241mm)-high full length standard backsplash features 1" (25mm) upturn and tile edge for easy installation and feathering to wall/splash surface.
- Welded areas are high-speed belt blended to match adjacent surfaces with continuity of satin finish.
- All outside corners of sink assembly are bullnosed to provide safe, clean edges.

### Mechanical:

- 1½" (38mm) faucet holes, punched on 8" (203mm) centers.
- Basket-type waste drains with 1½" (38mm) outlet.

### Certifications / Approvals



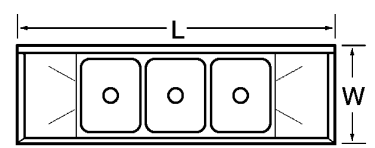
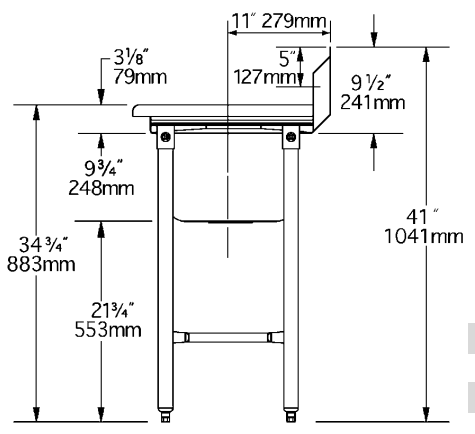


Item No.: \_\_\_\_\_  
 Project No.: \_\_\_\_\_  
 S.I.S. No.: \_\_\_\_\_

# 310 & 312 Series Sinks

## 310 Series

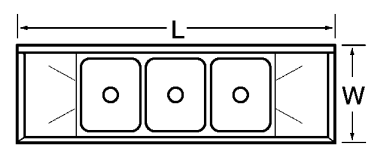
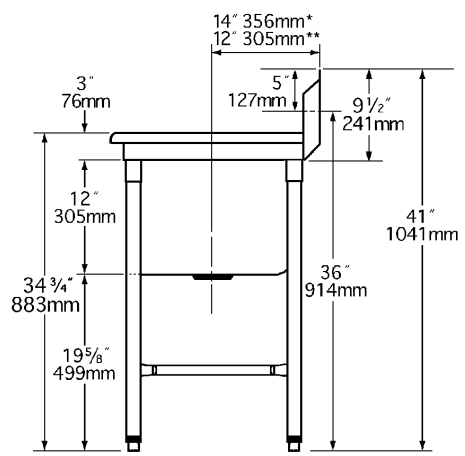
- Three 9 3/4" (247mm)-deep sink bowls and two drainboards.
- Type 304 stainless steel euro-style edging.
- Sink bowls have deep-drawn one-piece seamless construction.



model #	bowl size		overall size		drainbd length	weight			
	width	length	width	length		in.	mm	lbs.	kg
<b>310-10-3-12</b>	14"	10"	356 x 254	21 1/8" x 60"	551 x 1524	12"	305	123	55.8
<b>310-10-3-18</b>	14"	10"	356 x 254	21 1/8" x 72"	551 x 1829	18"	457	134	60.8
<b>310-10-3-24</b>	14"	10"	356 x 254	21 1/8" x 84"	551 x 2134	24"	610	150	68.0

## 312 Series

- Three 12" (305mm)-deep sink bowls and two drainboards.
- Type 304 stainless steel euro-style edging.
- #312-12-3-12 features fabricated sink bowls.
- #312-14-3-12 features deep-drawn sink bowls.



model #	bowl size		overall size		drainbd length	weight			
	width	length	width	length		in.	mm	lbs.	kg
<b>312-12-3-12</b>	20"	12"	508 x 305	27 1/8" x 66"	703 x 1676	12"	305	143	64.9
<b>312-14-3-12</b>	14"	16"	356 x 406	23 1/8" x 72"	602 x 1829	12"	305	150	68.0

\* Model #312-12-3-12  
 \*\* Model #312-14-3-12

**EAGLE GROUP**  
 100 Industrial Boulevard, Clayton, DE 19938-8903 USA  
 Phone: 302-653-3000 or 800-441-8440 • Fax: 302-653-2065  
 www.eaglegrp.com • www.eaglehmc.com

Printed in U.S.A.  
 ©2022 by Eagle Group  
 Rev. 06/22

Spec sheets available for viewing, printing or downloading from our online literature library at [www.eaglegrp.com](http://www.eaglegrp.com)

Although every attempt has been made to ensure the accuracy of the information provided, we cannot be held responsible for typographical or printing errors. Information and specifications are subject to change without notice. Please confirm at time of order.