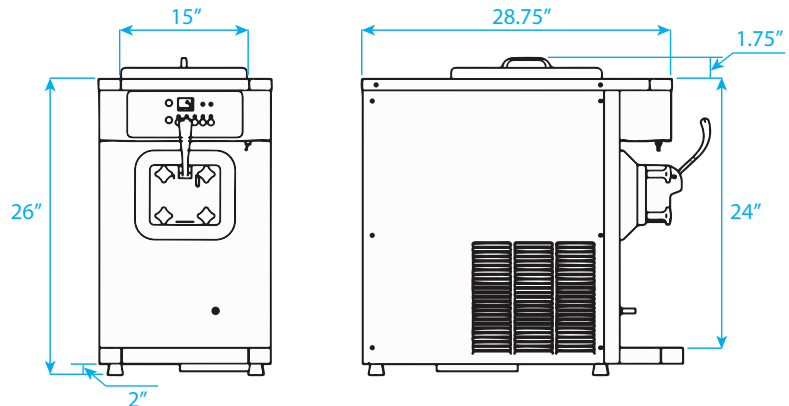


S110F Soft Serve Freezer Table Top



www.pasmouusa.com
1-844-527-2766



Technical Specs:

GENERAL INFO

MODEL NUMBER	S110F
TYPE	Table top
PRODUCTION CAPACITY	20 L / H
NUMBER OF FLAVORS	1
NUMBER OF HOPPERS	1
HOPPER CAPACITY	6.5 L (1.71 gal)
SPECIFICATIONS	26Hx 15Wx28.75L
CARTON SIZE	31" x 19" x 33"
NET WEIGHT	198 Lbs
GROSS WEIGHT	227 Lbs
CYLINDER CAPACITY	1.6 L (.42 gal)
BEATER TYPE	stainless steel
HOPPER MIXER	standard
POWER	1.5 Kw
SELF-CHECK	yes
LOW MIXTURE SENSOR	yes
FREQUENCY CONVERSION	yes

REFRIGERATION SYSTEM

NUMBER OF COMPRESSORS	1
COMPRESSOR BRAND	Aspera
COMPRESSOR CAPACITY	3753 Btu / hr
COMPRESSOR GAS	R404 A
GAS QUANTITY	500 g
REFRIGERATION TYPE	air cool / water cool

TRANSMISSION

NUMBER OF MOTORS	1
MOTOR CAPACITY	550 W

Features:

- Single hopper, single flavor
- Offers all of the popular soft serve variations from low to non-fat ice creams, custards, yogurt, Italian ices and sorbet

SILENT

- Mute function, suitable for all types of environments

BEATER

- Food grade stainless steel 3014 beater

CONTINUOUS DISCHARGING ABILITY

- Ensures continuous discharge even during peak hours

STAND-BY FUNCTION

- Stand-by option for both hopper and cylinder
- Ensures the safety and hygiene of the liquid ice cream

IMPORTED CORE ACCESSORIES

- Aspera compressors and Danfoss expansion valves
- Ensures the service life of the machines

INTELLIGENT FAULT DETECTION

- Provides multiple levels of security

INTEGRATED CYLINDER

- Perfect insulation effect
- Easy to clean



Product List:

SERIAL NUMBER	COOLING TYPE	VOLTAGES
S110FA1	air cool	220 v / 50 hz 1P
S110FA2	air cool	220 v / 60 hz 1P
S110FA3	air cool	380 v / 50 hz 3P
S110FA4	air cool	110 v / 60 hz 1P
S110FW1	water cool	220 v / 50 hz 1P
S110FW2	water cool	220 v / 60 hz 1P
S110FW3	water cool	380 v / 50 hz 3P
S110FW4	water cool	110 v / 60 hz 1P

distributed by: