

UNDERCOUNTER SOILED DISH TABLES (RIGHT TO LEFT OPERATION)



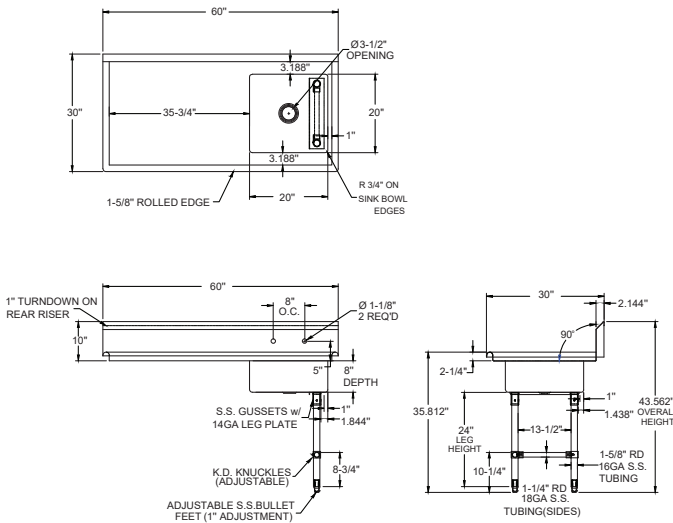
DISH TABLES - UNDERCOUNTER

MATERIALS

- 18 Gauge 300 Series Stainless Steel Top
 - Galvanized Legs and Bracing
 - Plastic Bullet Feet



**COMPATIBLE WITH
NEW NBR FAUCETS!
SEE PAGE 75**



FEATURES

- Straight Design
- 10" Backsplash with 2" Return to Wall At 45°
- 3/4" Turned Down Rear Lip
- 8" On-Center Wall-Mounted Faucet Holes
- Drain Basket Included

MODEL NUMBER	BOWL SIZE L X W X H	LENGTH	WIDTH
UDT-50R	20" x 20" x 8"	50"	30"
UDT-60R	20" x 20" x 8"	60"	30"