

"CUCD" CUCINA AMERICANA COLLECTION *Cucina D'Amico Cart - 5" Thick End Grain Top*

FEATURES:

- Northern Hard Rock Maple, American Black Walnut, Or American Cherry
- End Grain Construction
- Food Service Grade Stainless Steel Base & Tubular Shelf
- Includes Stainless Steel Towel Bar
- Commercial Grade 3" Locking Casters
- Boos Block Cream With Beeswax Finish
- Shipped Knocked Down

CERTIFICATIONS:



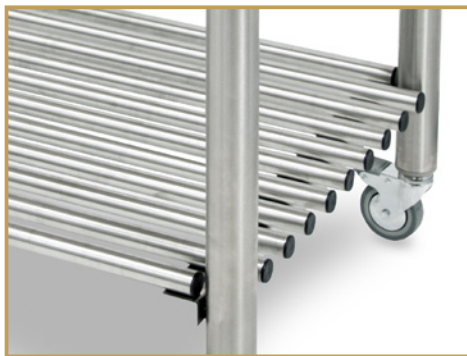
NHLA



CUCD15



STAINLESS STEEL TOWEL BAR



TUBULAR LOWER SHELF



WAL-CUCD15



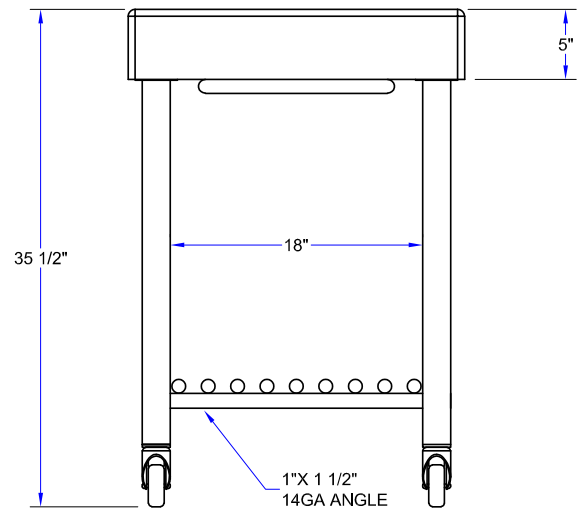
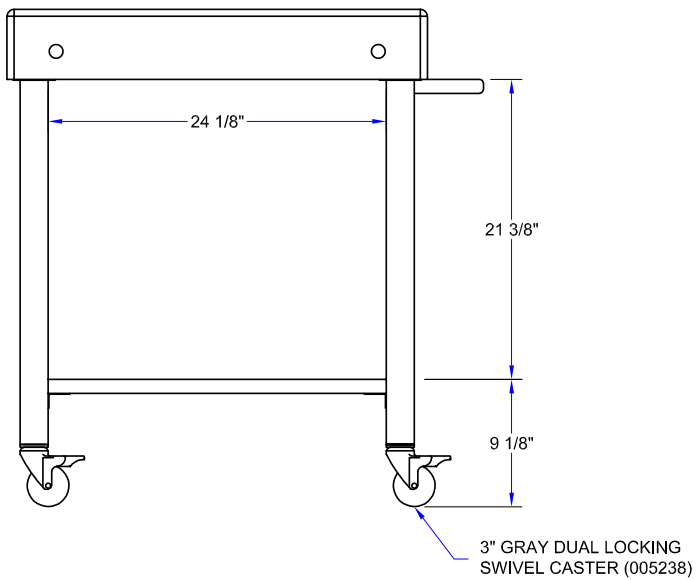
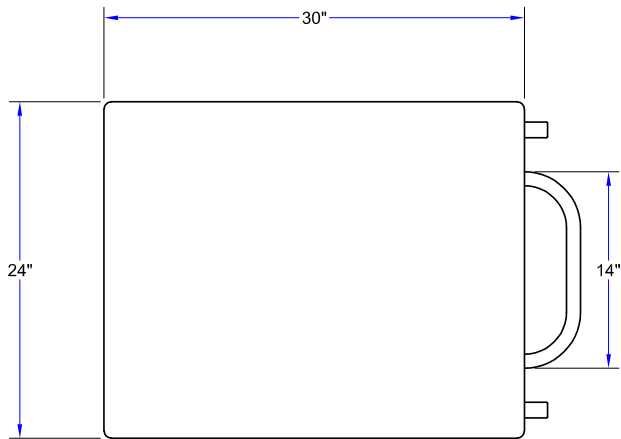
CHY-CUCD15

"CUCD" CUCINA D'AMICO CARTS

MODEL	DESCRIPTION	TOP SIZE (L X W X H)	OVERALL HEIGHT	WT. (LBS)
CUCD15	Maple	30"x24"x5"	35-1/2"	135
WAL-CUCD15	Walnut	30"x24"x5"	35-1/2"	129
CHY-CUCD15	Cherry	30"x24"x5"	35-1/2"	114

ALL DIMENSIONS ARE TYPICAL. TOLERANCE +/- .500". JOHN BOOS & CO. RESERVES THE RIGHT TO CHANGE SPECIFICATIONS WITHOUT NOTICE.

DETAILED SPECIFICATIONS



"CUCD" CUCINA D'AMICO CARTS

MODEL	DESCRIPTION	TOP SIZE (L X W X H)	OVERALL HEIGHT	WT. (LBS)
CUCD15	Maple	30"x24"x5"	35-1/2"	135
WAL-CUCD15	Walnut	30"x24"x5"	35-1/2"	129
CHY-CUCD15	Cherry	30"x24"x5"	35-1/2"	114

ALL DIMENSIONS ARE TYPICAL. TOLERANCE +/- .500". JOHN BOOS & CO. RESERVES THE RIGHT TO CHANGE SPECIFICATIONS WITHOUT NOTICE.