

IP44 MARITIME

COFFEE BREWING SYSTEM / HOT WATER DISPENSERS

INGRESS PROTECTED SERIES

FETCO® is the category expert and the ONLY manufacturer of **Ingress Protected (IP44)** portable coffee brewing and hot water systems for maritime operations. IP44 rated coffee brewers and hot water dispensers are designed and constructed exclusively to withstand harsh conditions found onboard sailing vessels such as ferries and cruise ships and other protected exterior environments (i.e. outdoor coffee or bar service).



IP44-HWB-10
10 Gallon Hot Water Dispenser

IP44-HWB-5
5 Gallon Hot Water Dispenser



IP44-52H-15
Twin Station Brewer*

IP44-52H-20
Twin Station Brewer*

IP44-62H-30
Twin Station Brewer*

* Shown with Luxus® Dispensers (sold separately)

FETCO®
TRUSTED | RELIABLE | QUALITY

Water Specification

| Model | Water Inlet | Minimum Flow Rate | Water Pressure |
|-------------|-------------------------|---------------------|--------------------------|
| IP44-52H-15 | 3/8" male flare fitting | 1 1/2 gpm [5.7 lpm] | 20-75 psig [138-517 kPa] |
| IP44-52H-20 | 3/8" male flare fitting | 1 1/2 gpm [5.7 lpm] | 20-75 psig [138-517 kPa] |
| IP44-62H-30 | 3/8" male flare fitting | 2 gpm [7.6 lpm] | 20-75 psig [138-517 kPa] |

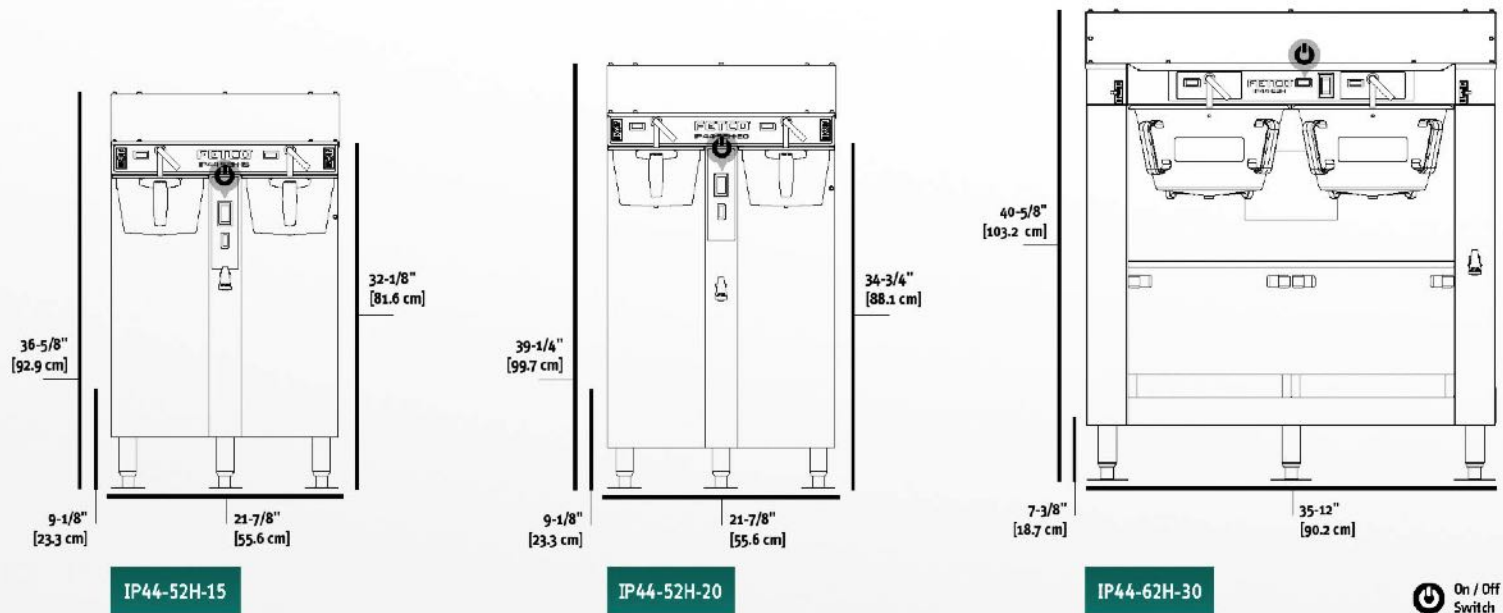
Electrical Configuration

| Model | Configuration Code | Heater Configuration | Voltage | Phase | Wires | KW | Electrical Connection | Max Amp Draw | Gallon [Liter] / Hour |
|-------------|--------------------------|----------------------|---------|-------|-------|-----------|-----------------------|--------------|---------------------------------------|
| IP44-52H-15 | US / CANADA C52246MIP | 2 x 2.8 kW | 220-240 | 1 | 2+G | 4.8-5.7 | Terminal Block | 21.8-23.8 | 10.5-13.5 [39.7-51.1] ⁽¹⁾ |
| | C52206MIP | 3 x 4.0 kW | 380-400 | 3 | 3+G | 7.7-8.5 | Terminal Block | 11.7-12.3 | 15.0 [56.8] ⁽¹⁾ |
| | C52196MIP | 3 x 4.0 kW | 440-480 | 3 | 3+G | 10.3-12.1 | Terminal Block | 13.6-14.8 | 19.5-22.5 [73.8-85.2] ⁽¹⁾ |
| IP44-52H-20 | US / CANADA C53216MIP | 2 x 3.0 kW | 220-240 | 1 | 2+G | 5.1-6.1 | Terminal Block | 23.3-25.4 | 14.0 [53.0] ⁽¹⁾ |
| | C53206MIP | 3 x 4.0 kW | 380-400 | 3 | 3+G | 7.7-8.5 | Terminal Block | 11.7-12.3 | 18.0 [68.1] ⁽¹⁾ |
| | C53226MIP | 3 x 4.0 kW | 440-480 | 3 | 3+G | 10.3-12.1 | Terminal Block | 13.6-14.8 | 26.0 [98.4] ⁽¹⁾ |
| | C53256MIP | 3 x 2.0 kW | 380-400 | 3 | 3+G | 4.0-4.4 | Terminal Block | 6.0-6.3 | - |
| | C53236MIP | 3 x 2.0 kW | 440-480 | 3 | 3+G | 5.3-6.1 | Terminal Block | 6.9-7.6 | 30.0 [113.6] ⁽¹⁾ |
| IP44-62H-30 | US / CANADA C62206MIP | 3 x 3.0 kW | 220-240 | 3 | 3+G | 7.8-9.1 | Terminal Block | 20.5-22.4 | 9.0-12.0 [34.1-45.4] ⁽¹⁾ |
| | C62196MIP | 3 x 4.0 kW | 440-480 | 3 | 3+G | 10.3-12.1 | Terminal Block | 13.6-14.8 | 13.5-15.0 [51.1-56.8] ⁽¹⁾ |
| | C62216MIP | 3 x 4.0 kW | 380-400 | 3 | 3+G | 7.7-8.5 | Terminal Block | 11.7-12.3 | 22.5-24.0 [85.2-90.8] ⁽¹⁾ |
| | C62186MIP | 6 x 4.0 kW | 440-480 | 3 | 3+G | 20.1-24.1 | Terminal Block | 26.8-29.2 | 25.5-27.0 [96.5-102.2] ⁽¹⁾ |

(1) Based on standard factory settings: 4.0 minute brew time; 0% prewet; 200°F water.

Measurements

| Model | Height | Width | Depth | Empty Weight | Shipping Dimensions | Shipping Weight |
|-------------|--------------------|-------------------|-------------------|-------------------|--|-------------------|
| IP44-52H-15 | 36 5/8" [93.0 cm] | 21 7/8" [55.6 cm] | 20 1/2" [52.0 cm] | 82 lbs [37.2 kg] | 35" x 22" x 27" [88.9 x 55.9 x 58.4 cm] | 97 lbs [44.0 kg] |
| IP44-52H-20 | 39 1/4" [99.7 cm] | 21 7/8" [55.6 cm] | 20 1/2" [52.0 cm] | 87 lbs [39.5 kg] | 38" x 22" x 27" [96.5 x 55.9 x 58.4 cm] | 98 lbs [44.5 kg] |
| IP44-62H-30 | 40 5/8" [103.2 cm] | 35 1/2" [90.2 cm] | 22 7/8" [58.1 cm] | 197 lbs [89.4 kg] | 43" x 37" x 24" [109.2 x 94.0 x 61.0 cm] | 199 lbs [90.3 kg] |



Cups per Hour*

IP44-52H-15 & IP44-52H-20

8oz. **475** 12oz. **317** 16oz. **238** 20oz. **190**

IP44-62H-30

8oz. **864** 12oz. **576** 16oz. **432** 20oz. **346**

* Approximate based on maximum power setting.

Water Specification

| Model | Water Inlet | Minimum Flow Rate | Water Pressure |
|-------------|-------------------------|-------------------|--------------------------|
| IP44-HWB-5 | 3/8" male flare fitting | 3/4 gpm [2.8 lpm] | 20-75 psig [138-517 kPa] |
| IP44-HWB-10 | 3/8" male flare fitting | 3/4 gpm [2.8 lpm] | 20-75 psig [138-517 kPa] |

Electrical Configuration

| Model | Configuration Code | Heater Configuration | Voltage | Phase | Wires | KW | Electrical Connection | Max Amp Draw | Gallon [Liter] /Hour |
|-------------|--------------------------|----------------------|---------|-------|-------|---------|-----------------------|--------------|--------------------------------------|
| IP44-HWB-5 | US / CANADA H05041MIP | 3.0 kW | 220-240 | 1 | 2+G | 2.6-3.1 | Terminal Block | 11.8-12.9 | 6.0-7.0 [22.7-26.5] ⁽¹⁾ |
| IP44-HWB-10 | US / CANADA H10031MIP | 2 x 3.0 kW | 220-240 | 3 | 3+G | 5.1-6.1 | Terminal Block | 11.8-12.9 | 13.0-15.0 [49.2-56.8] ⁽¹⁾ |

(1) Based on standard factory settings: 200°F water.

Measurements

| Model | Height | Width | Depth | Empty Weight | Shipping Dimensions | Shipping Weight |
|-------------|-------------------|-------------------|-------------------|------------------|---|------------------|
| IP44-HWB-5 | 29 5/8" [75.2 cm] | 10 1/8" [25.7 cm] | 23 5/8" [60.0 cm] | 47 lbs [21.3 kg] | 31" x 11" x 26" [78.7 x 27.9 x 66.0 cm] | 57 lbs [25.9 kg] |
| IP44-HWB-10 | 29 5/8" [75.2 cm] | 16 1/2" [41.9 cm] | 23 5/8" [60.0 cm] | 64 lbs [29.0 kg] | 31" x 18" x 26" [78.7 x 45.7 x 66.0 cm] | 79 lbs [35.8 kg] |



Cups per Hour*

| Model | 8oz. | 12oz. | 16oz. | 20oz. |
|-------------|------|-------|-------|-------|
| IP44-HWB-5 | 112 | 75 | 56 | 45 |
| IP44-HWB-10 | 240 | 160 | 120 | 96 |

* Approximate based on maximum power setting.

Compatible Dispensers

#D449 1.5 Gallon LUXUS®
L4D-15 Thermal Dispenser



#D452 1.5 Gallon LUXUS®
L4S-15 Thermal Server*



#D009 LUXUS® Portable
TPD-15 Thermal Dispenser



#D450 2.0 Gallon LUXUS®
L4D-20 Thermal Dispenser

#D453 2.0 Gallon LUXUS®
L4S-20 Thermal Server*

* Must be used with S4S Serving Stations.

#D012 LUXUS® Portable
TPD-30 Thermal Dispenser

Paper Coffee Filters

#F001 Standard Paper
15" x 5.5" Coffee Filter

#F004 Standard Paper
20" x 8" Coffee Filter








Serving Stations

#A150 Single Serving Station for
S4S-10-1 L4S-15/20 Server

#A151 Twin Serving Station
S4S-10-2 for L4S-15/20 Server

#A152 Triple Serving Station
S4S-10-3 for L4S-15/20 Server



| | Model | Application Size | Standard Features |
|-----------------------|---|---|--|
| Coffee Brewing System |  IP44-52H-15 | 1.5 gallon size brewer meets the demands of medium- to large-sized maritime operations and is ideal for cruise ship galleys, dining rooms and covered outdoor venues. | 1. Ingress Protection (IP44) IP44 rated coffee brewers are designed and constructed to withstand harsh conditions. "Ingress" protection is critical to keep the inner workings and electrical systems free of hazards that may be caused by multi-directional water sprays that may contain solid particles. |
| |  IP44-52H-20 | 2.0 gallon size meets the high-volume demands of large-sized maritime operations and is ideal for cruise ship galleys, dining rooms and covered outdoor venues. | |
| |  IP44-62H-30 | 3.0 gallon size meets the high-volume demands of large-scale maritime operations and is ideal for cruise ship galleys, dining rooms and covered outdoor venues. | |
| Hot Water Dispensers |  IP44-HWB-5 | 5.0 gallon size meets the demands of small- to medium-scale maritime operations and is ideal for light-duty food/beverage prep and cleaning tasks. | 2. Stainless Steel Construction Withstands the harshest maritime environments, is durable and easy to clean. |
| |  IP44-HWB-10 | 10.0 gallon size meets the demands of medium- to large-scale maritime operations and is ideal for light- to medium-duty food/beverage prep and cleaning tasks. | |

3. Stationary Design
 Flanged feet with holes allow you to bolt down your equipment to a countertop or equipment stand.

Dispensers sold separately.