

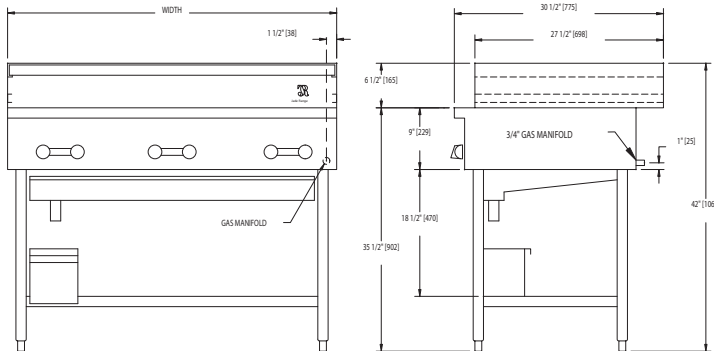


CHICKEN BROILER

TITAN CHICKEN BROILER



JCB-72



| MODEL | BURNERS | WIDTH | DEPTH | HEIGHT | BTUS |
|--------|---------|-------|---------|--------|---------|
| JCB-24 | 4 | 24" | 30-1/2" | 42" | 60,000 |
| JCB-30 | 5 | 30" | 30-1/2" | 42" | 75,000 |
| JCB-36 | 6 | 36" | 30-1/2" | 42" | 90,000 |
| JCB-42 | 7 | 42" | 30-1/2" | 42" | 105,000 |
| JCB-48 | 8 | 48" | 30-1/2" | 42" | 120,000 |
| JCB-60 | 10 | 60" | 30-1/2" | 42" | 150,000 |
| JCB-72 | 12 | 72" | 30-1/2" | 42" | 180,000 |

| MODEL NO. | DESCRIPTION |
|---------------------------------|---------------------|
| <input type="checkbox"/> JCB-24 | 24" CHICKEN BROILER |
| <input type="checkbox"/> JCB-30 | 30" CHICKEN BROILER |
| <input type="checkbox"/> JCB-36 | 36" CHICKEN BROILER |
| <input type="checkbox"/> JCB-42 | 42" CHICKEN BROILER |
| <input type="checkbox"/> JCB-48 | 48" CHICKEN BROILER |
| <input type="checkbox"/> JCB-60 | 60" CHICKEN BROILER |
| <input type="checkbox"/> JCB-72 | 72" CHICKEN BROILER |

STANDARD FEATURES

- 14 gauge all stainless steel welded body construction
- Precision individual control of burners
- One burner for every 6" of broiler width
- Stainless steel superstructure (removable for cleaning) offers 4 levels of broiling and gives an additional 4" of cooking space at the rear
- Extra-large, self-draining gutter
- Specially designed flame control grates
- 12 gauge all welded firebox construction
- 3/4" gas regulator
- Stainless steel front and sides, plate shelf
- Stainless steel legs and bottom shelf

AVAILABLE OPTIONS

- Stainless steel drip deflector and grease drawer

ACCESSORIES

- 6" casters, front two locking (3" diameter wheel)
- 36" flex hose with quick disconnect and restraining device
- 48" flex hose with quick disconnect and restraining device

NOTE: SPECIFY TYPE OF GAS WHEN ORDERING.

UTILITY INFORMATION:

- 3/4" connection (see drawing for location)
- Required operating pressure:
 Natural Gas 5" W.C. minimum
 Propane Gas 10" W.C. minimum
 14" W.C. maximum

Note: This unit must be connected with the gas appliance regulator supplied.

SPECIFY TYPE OF GAS WHEN ORDERING.

SPECIFY ALTITUDE WHEN ABOVE 2,000 FT.



WWW.JADERANGE.COM

JADE RANGE, LLC., A MIDDLEBY COMPANY • 2650 Orbiter Street • Brea, CA 92821 • PHONE: 800-884-5233 FAX: 714-961-2550
 Note: In line with their policy to continually improve products, Jade reserves the right to change materials and specifications without notice. PRINTED IN USA

JADE