



**HANDLING AND STORAGE**

*SERVING THE FOOD INDUSTRY SINCE 1951*

## **ALUMINUM STOCKING CART**

**Item: 45587**

Omcan's stocking cart is sturdily constructed to endure tough everyday handling. Its aluminum body makes for easy cleaning against messes from food, beverages, dry ingredients and debris. This stocking cart is great for supermarkets and various food service operations; it is guaranteed to last throughout long transporting operations with the utmost efficiency.



**180 DAYS WARRANTY**



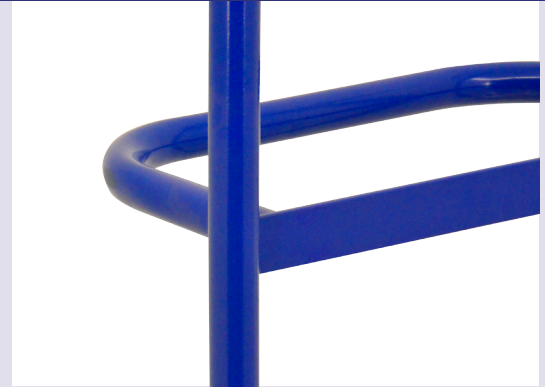
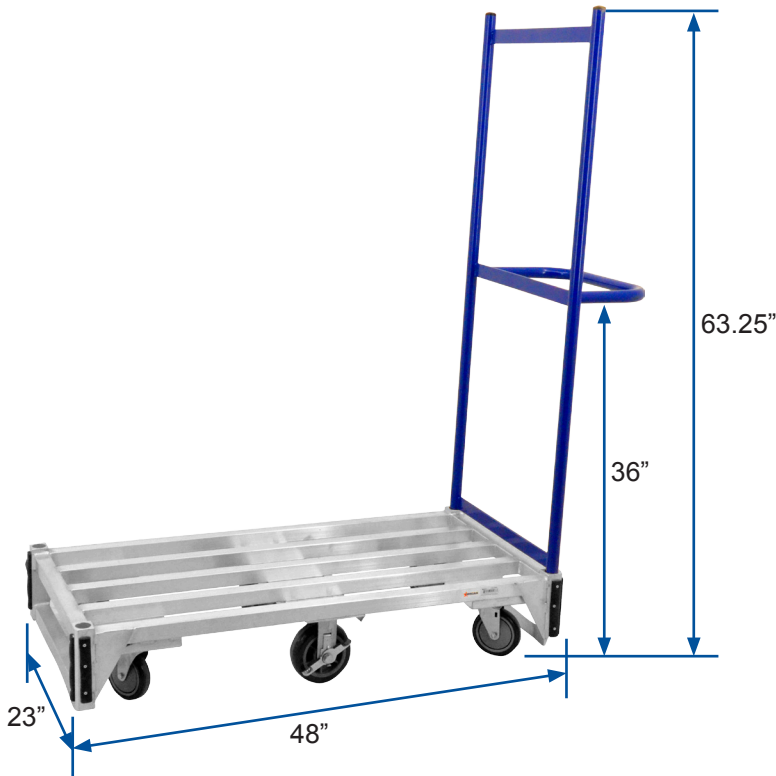
Authorized Dealer

# HANDLING AND STORAGE

## ALUMINUM STOCKING CART



### DIMENSIONS



### TECHNICAL SPECIFICATION

ITEM	45587
DESCRIPTION	Aluminum Stocking Cart
LOADING CAPACITY	300 kgs
WEIGHT	19.5 kg
PACKAGING WEIGHT	20 kg
DIMENSIONS (DWH)	23" x 48" x 63.25" / 584 x 1219 x 1606.6 mm
PACKAGING DIMENSIONS	100" x 46" x 47" / 2550 x 1170 x 1200 mm



## OMCAN INC.

Telephone: 1-800-465-0234  
 Fax: (905) 607-0234  
 Email: sales@omcan.com  
 Website: www.omcan.com



Follow us to keep up to date with the latest news and offers

