

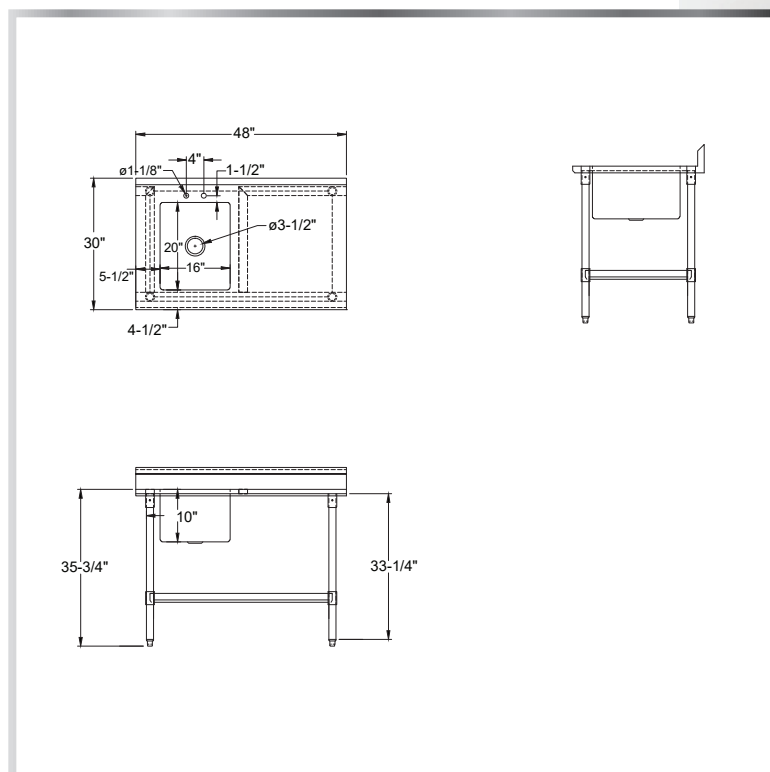
ECONOMY 1-BOWL PREP TABLE WITH 5" BACKSPLASH (BOWL ON LEFT)



WORKTABLES - WITH BOWL

MATERIALS

- 18 Gauge 300 Series Stainless Steel
- Galvanized Lower Shelf, Legs, and Bullet Feet



FEATURES

- 4" On-Center Deck-Mounted Faucet Holes
- 10" Deep Sink Bowl (On Left Side)
- Adjustable Lower Shelf and Bullet Feet
- Marine Edges
- Drain Basket Included

MODEL NUMBER	BOWL SIZE L X W X H	LENGTH	WIDTH
PTG-1620L4	16" x 20" x 10"	48"	30"
PTG-1620L5	16" x 20" x 10"	60"	30"
PTG-1620L6	16" x 20" x 10"	72"	30"