



The Signature of Quality

FEDERAL INDUSTRIES

A Standex Company
215 Federal Avenue
Belleville, WI 53508-9201

Phone: 800-356-4206
Fax: 608-424-3234
Email: geninfo@federalind.com
Website: www.federalind.com

Project Name: _____

Item #: _____

Model #: _____ Qty: _____

Approval: _____

AIA#

SIS#

VERSATILE SERVICE TOP OVER REFRIGERATED SELF-SERVE COUNTER CASE

Designed for those customers looking for up-market styling for maximum visual appeal that will drive product sales. Height 32.625" for service counter installation.

*Model SSRVS3633
Shown with Optional
Squared Ends and
Stainless Steel
Exterior For Under
Counter Installation



Under Counter
Installation Shown



Model SSRVS-3633 with standard Curved Profile and optional shelf.

MODEL	DIMENSIONS (Includes End Panels)
<input type="checkbox"/> SSRVS3633	36 x 34 x 32.625 (in) 914 x 864 x 838 (mm)
<input type="checkbox"/> SSRVS5033	50 x 34 x 32.625 (in) 1270 x 864 x 838 (mm)
<input type="checkbox"/> SSRVS5933	59 x 34 x 32.625 (in) 1499 x 864 x 838 (mm)
<input type="checkbox"/> SSRVS7733	77 x 34 x 32.625 (in) 1956 x 864 x 838 (mm)

STANDARD FEATURES

Model Features

- All-steel base construction with black laminate exterior. Other finishes optional
- Black interior, glass end panels
- Easily accessible light and power switch
- Rear access to refrigeration system for quick and easy service
- Black top
- Adjustable leg levelers
- Black step riser

Refrigeration

- On-Demand PTC condensate evaporator provided for a totally self-contained system
- Electronic temperature controls maintain 38°-40°F
- Easy clean, rustproof insulated evaporator coil compartment
- Rear condensing unit air intake & discharge
- R290 refrigerant
- Thermometer

Lighting

- LED top light

Agency Approvals

- UL and UL Sanitation listed
- DOE 2017 Compliant

OPTIONAL ACCESSORIES

For Self-Service Refrigerated Base

- Special Exterior Finish
- Glass Shelf or black solid shelf w/ LED light
- White or Stainless Interior (Including Step Riser or Shelf)
- Energy Saving Night Curtain
- Reflective End Glass
- Security Night Cover
- Solid End Panels with Mirrored Interior
- Remote Refrigeration (R449a Refrigerant, EEV Included)

- Condensate Pump
- Recessed Casters
- Front Non-Refrigerated Display Merchandiser
- Cord & Plug
- Legs
- Squared Ends

Required Options for Under Counter Use:

- Recessed Casters
- Solid End Panels with Mirrored Interior
- Cord & Plug
- Squared Ends



WARRANTY*
One year Parts and Labor
2nd thru 5th year part
only service compressor
(U.S.A and Canada)



Note: Information is subject to change at any time.
Visit www.federalind.com for the most current specs.

Revised 01/06/2025

AIA#

VERSATILE SERVICE TOP OVER REFRIGERATED SELF-SERVE COUNTER CASE

SIS#

Product Specifications

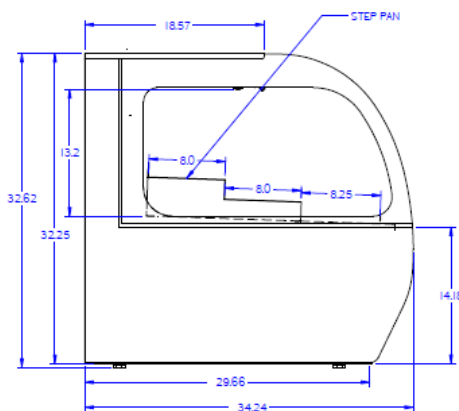
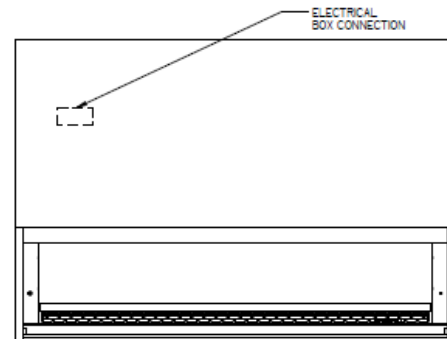
Intended Environment: Type I - Designed to operate in maximum ambient conditions of 75°F (24°C) and 55% relative humidity unless noted otherwise in system information below.

Zone	Intended Product To Be Displayed	Avg Prod Temp °F/°C
All	Packaged Refrigerated Products	38°F / (3.3°C)

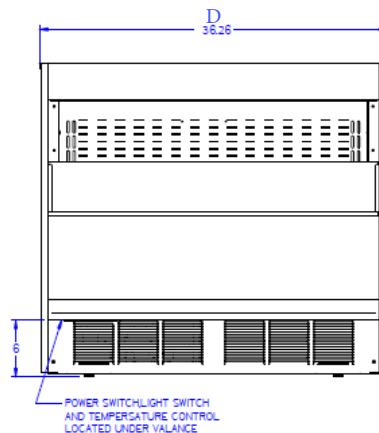
DIMENSION: xx"/(mm)

DIMENSION TOLERANCE +/- 0.25 (6.4)

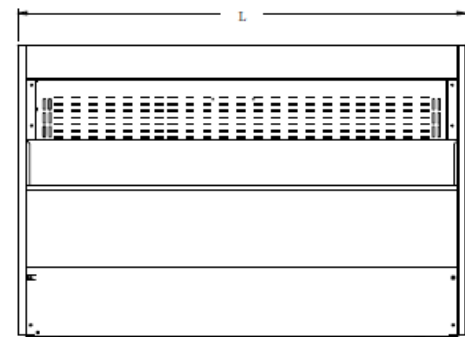
Plan View



Side View



Back View



Front View

MODEL	DIMENSIONS				SHIPPING WHT		*SELF CONTAINED			OPTIONAL NEMA PLUG	*REMOTE WITH	
	L	D	H1	UNITS	LBS	KILO	VOLTAGE	AMPS	H.P.	CONFIG (SC)	VOLTAGE	AMPS
SSRVS3633	36	34	32.625	in.	450	204	120/60/1	14.3 AMPS	1/3 HP	NEMA 5-20P	120/60/1	8.5 AMPS
	914	864	829	mm.								
SSRVS5033	50	34	32.625	in.	620	281	120/60/1	14.3 AMPS	1/3 HP	NEMA 5-20P	120/60/1	8.5 AMPS
	1270	864	829	mm.								
SSRVS5933	59	34	32.625	in.	750	340	208-240/60/1	14.5 AMPS	3/4 HP	NEMA 6-20P	120/60/1	13 AMPS
	1499	864	829	mm.								
SSRVS7733	77	34	32.625	in.	980	445	208-240/60/1	14.5 AMPS	3/4 HP	NEMA 6-20P	120/60/1	13.5 AMPS
	1956	864	829	mm.								

- Refrigerated cases are designed to operate in a maximum of 75°F (24°C) ambient and 55% relative humidity.
- Due to continuing engineering improvements, specifications are subject to change without notice.



The Signature of Quality®

FEDERAL INDUSTRIES

A Standex Company

215 Federal Avenue, Belleville, Wisconsin 53508-9201

Phone: 800-356-4206

Fax: 608-424-3234

Email: Geninfo@Federalind.com

Website: Federalind.com